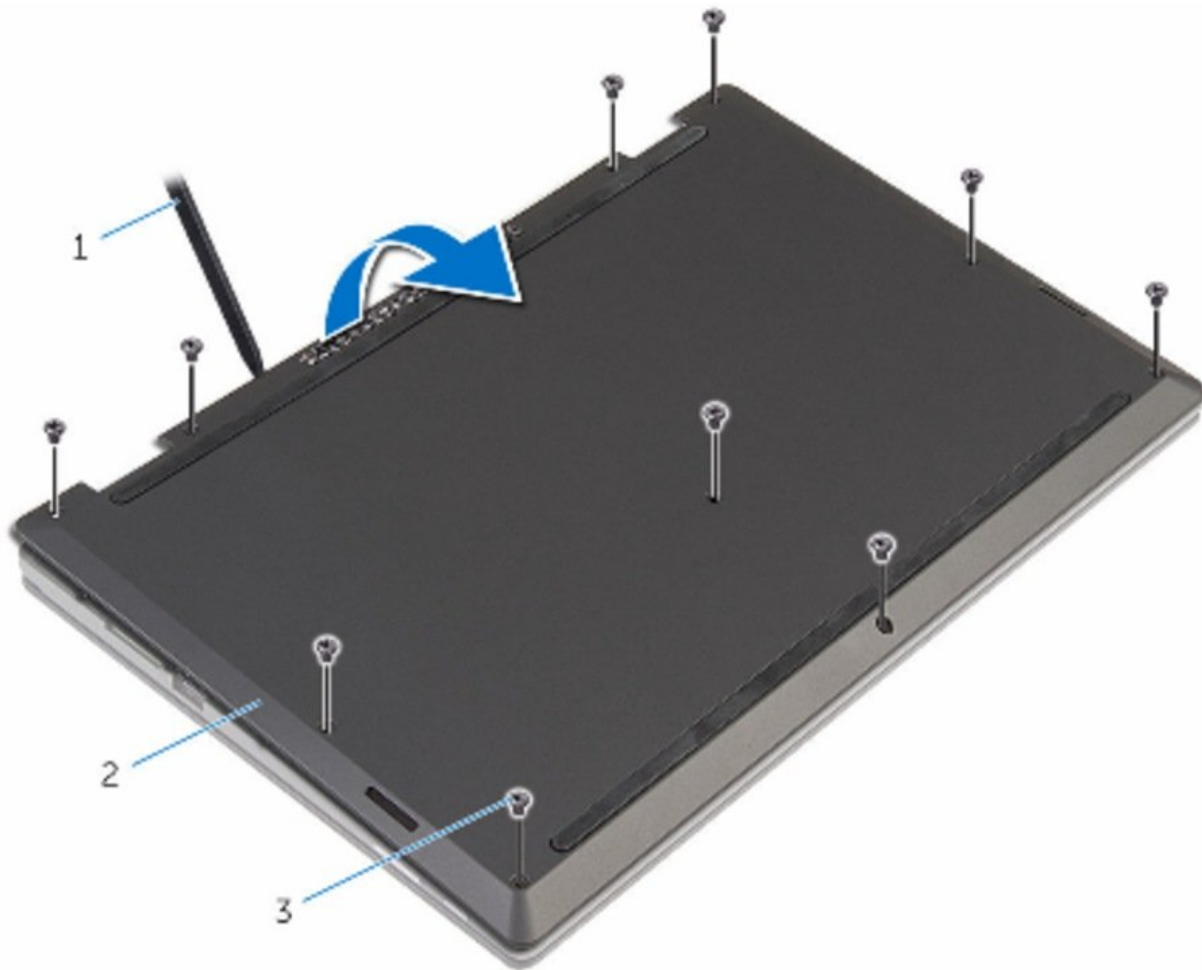




Dell Inspiron 13-7353 Base Cover Replacement

How to remove the Base cover.

Written By: Israel



1 plastic scribe

2 base cover

3 screws (10)

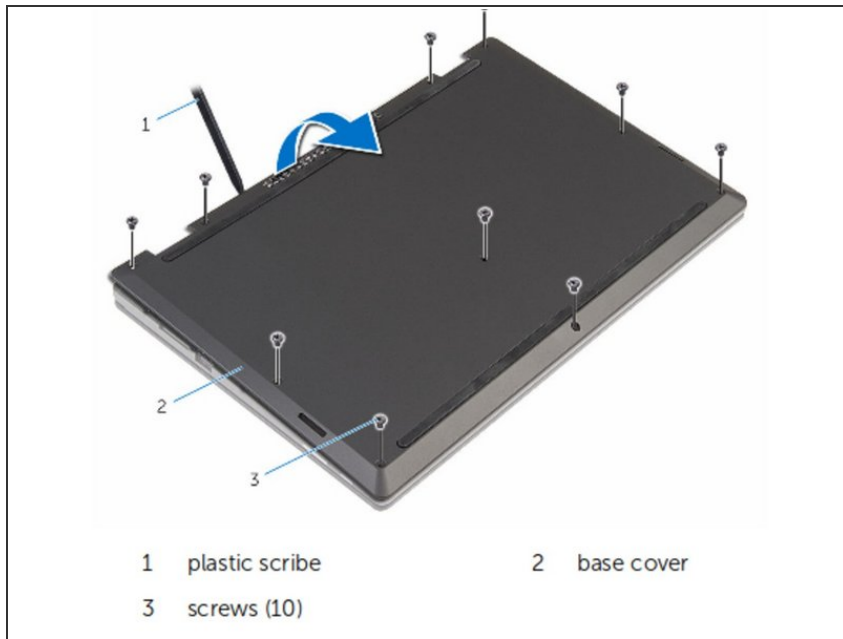
INTRODUCTION

Replacing the Base Cover.

TOOLS:

- [Phillips #1 Screwdriver](#) (1)
-

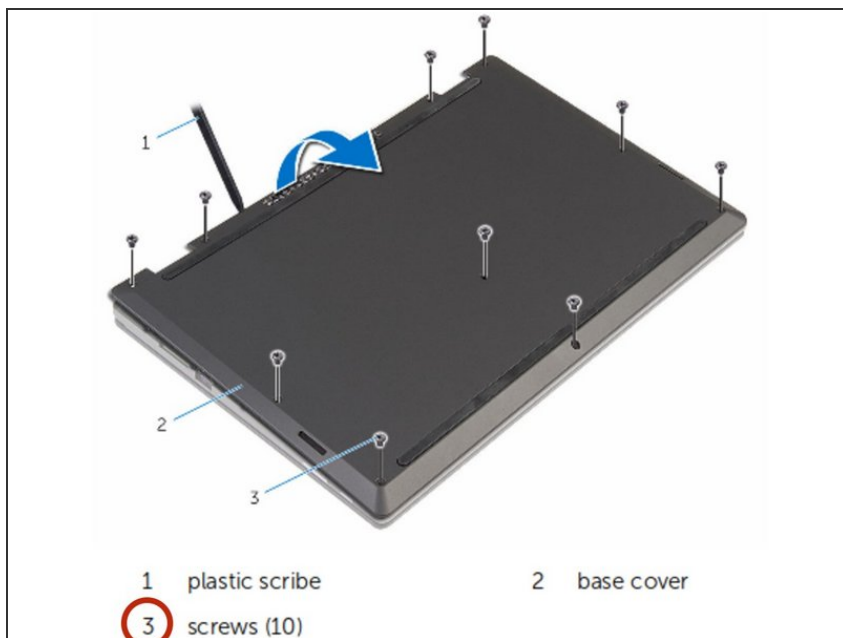
Step 1 — Flip the Computer



⚠ WARNING : Before working inside your computer, read the safety information that shipped with your computer and follow the steps in Before working inside your computer . After working inside your computer, follow the instructions in After working inside your computer.

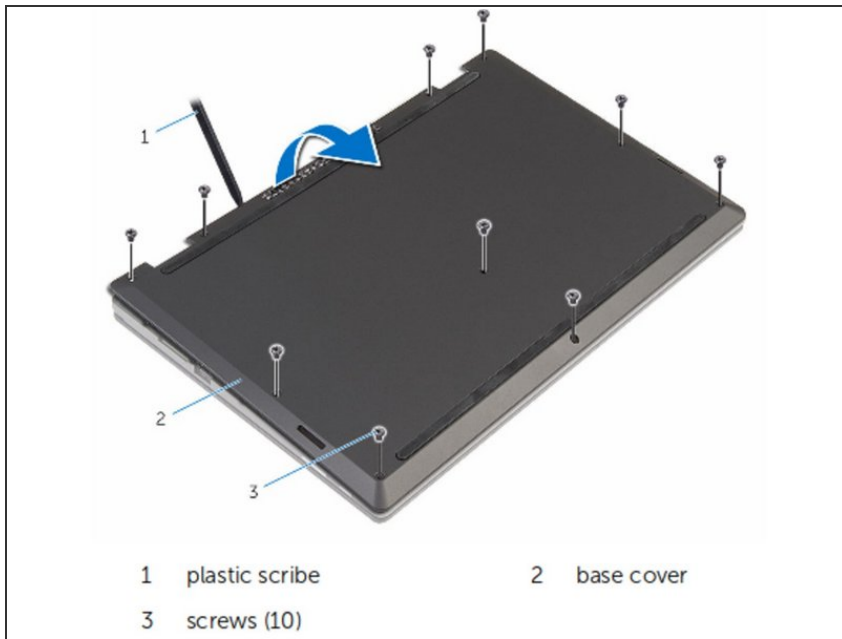
- Close the display and turn the computer over

Step 2 — Secure the Base



- Remove the screws that secure the base cover to the computer base.

Step 3 — Pry the Base cover



- Using a plastic scribe (plastic opening tool), pry the base cover off the computer base.

Step 4 — Slide the Tabs



- Slide the tabs on the base cover into the slots on the computer base and snap the base cover into place.

⚠ WARNING : Before working inside your computer, read the safety information that shipped with your computer and follow the steps in [Before working inside your computer](#) . After working inside your computer, follow the instructions in [After working inside your computer](#).

Step 5 — Replace the screws



- Replace the screws that secure the base cover to the computer base.

To reassemble your device, follow these instructions in reverse order.