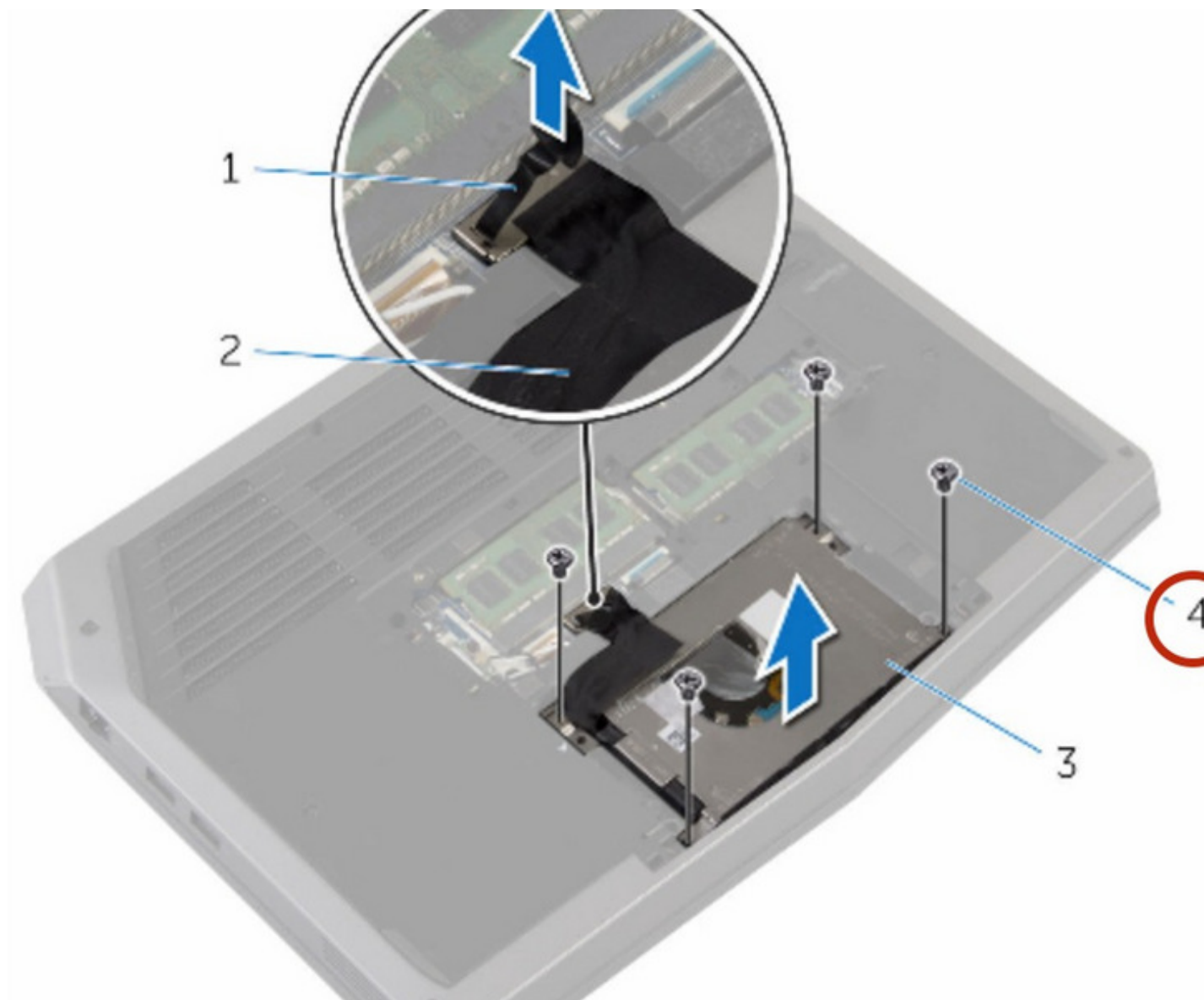




Dell Alienware 13 R2 Hard Drive Replacement

Dell Alienware 13 R2 Hard Drive Replacement

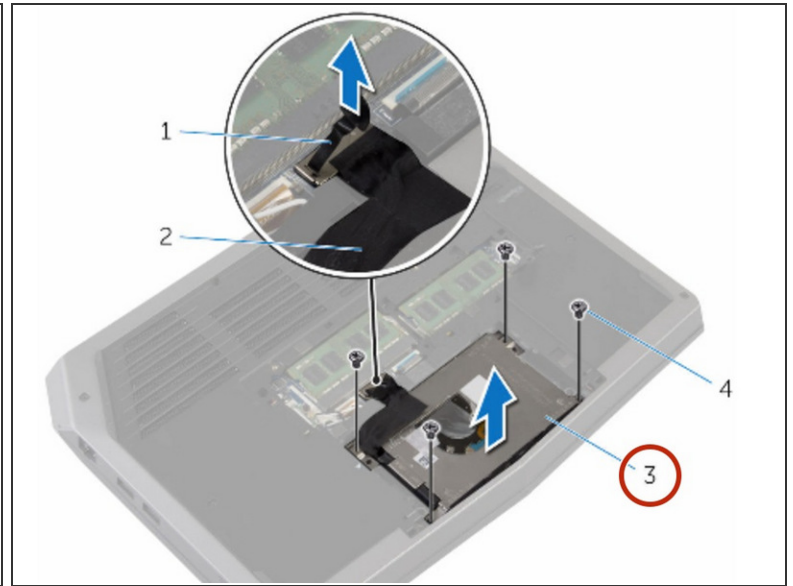
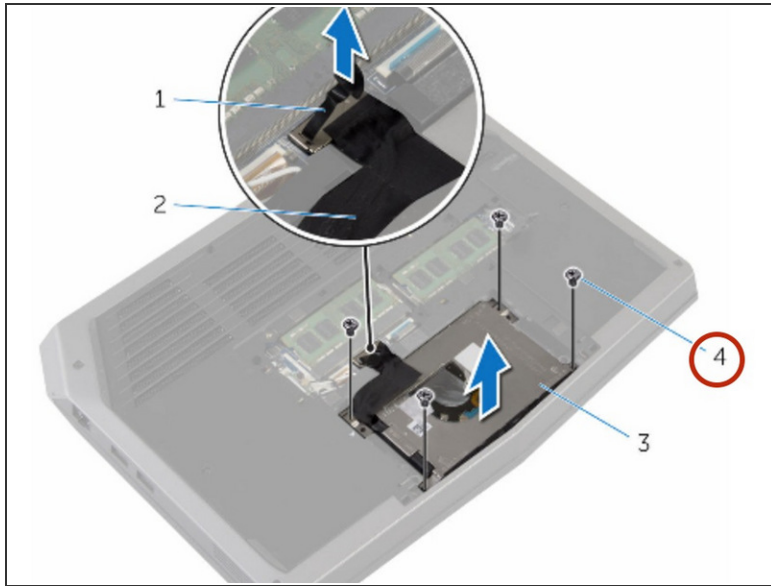
Written By: Teren Wallace



INTRODUCTION

In this guide, we will be removing and replacing the hard-drive of the Dell Alienware 13 R2.

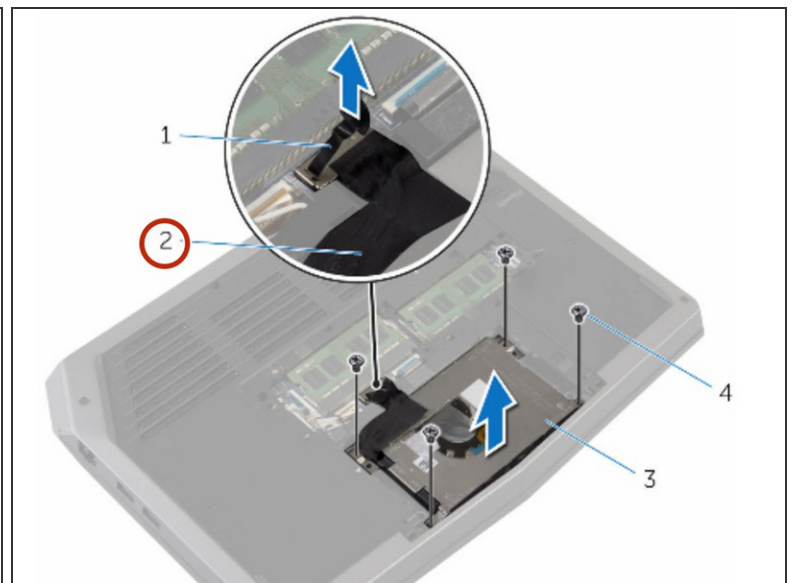
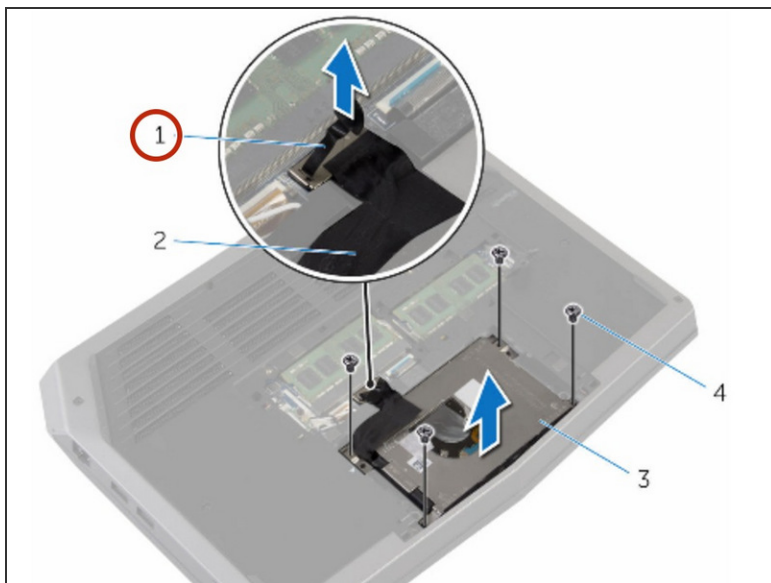
Step 1 — Remove the Screws



⚠ WARNING: Before working inside your computer, read the safety information that shipped with your computer and [Before Working Inside Your Computer](#). After working inside your computer, follow the instructions in [After Working Inside Your Computer](#).

- Remove the screws that secure the hard-drive assembly to the computer base.

Step 2 — Disconnecting the Hard-Drive Cable



- Using the pull tab, disconnect the hard-drive cable from the system board.

To reassemble your device, follow these instructions in reverse order.

This document was last generated on 2018-04-02 11:44:16 PM.