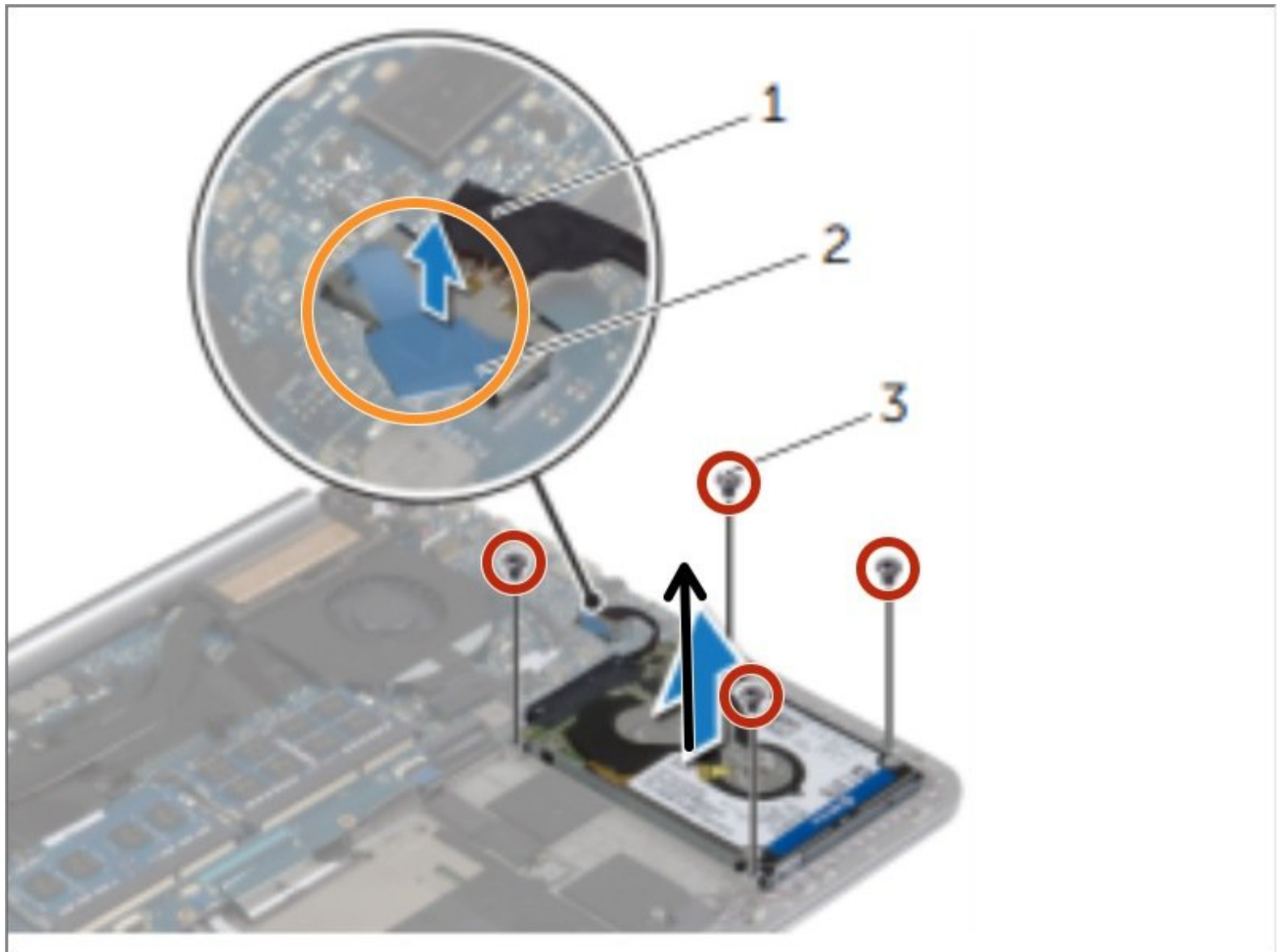




Dell XPS 15 9530 Hard Drive Replacement

How to replace the 2.5" hard drive of a Dell XPS 15 9530.

Written By: Johnathan Hammond



INTRODUCTION

How to replace the 2.5" hard drive of a Dell XPS 15 9530.

TOOLS:

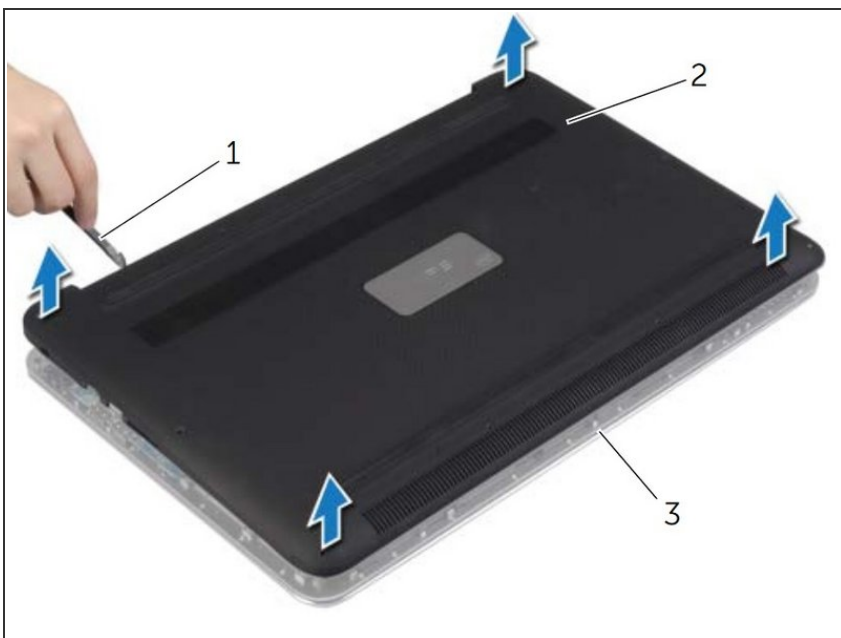
- [Spudger](#) (1)
 - [Phillips #0 Screwdriver](#) (1)
-

Step 1 — Unscrewing the Base-Cover Assembly



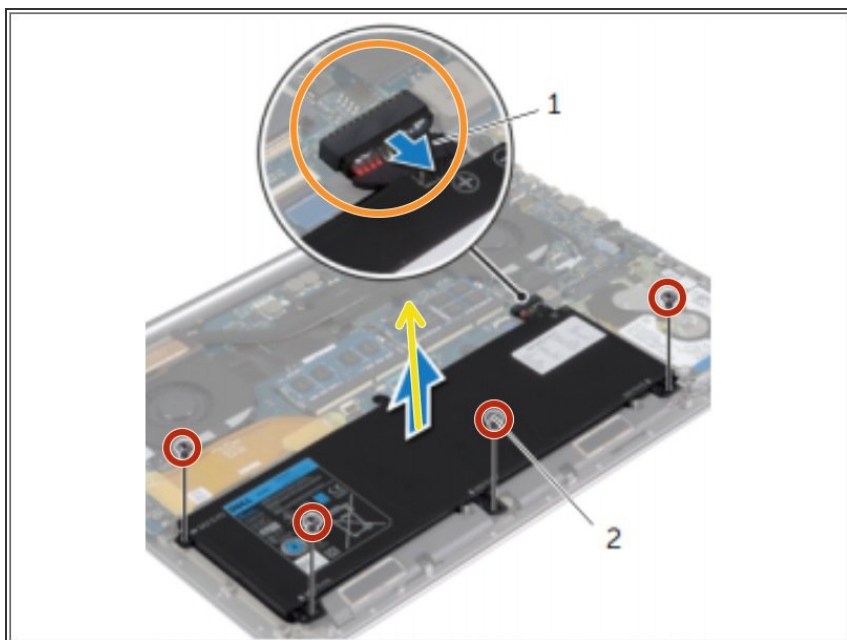
- After turning off the system, unscrew the 12 Philips screws (#1) that are on the bottom of the laptop.
- ⚠ Don't forget to unscrew the two screws hidden under the system badge!

Step 2 — Prying Off the Base-Cover Assembly



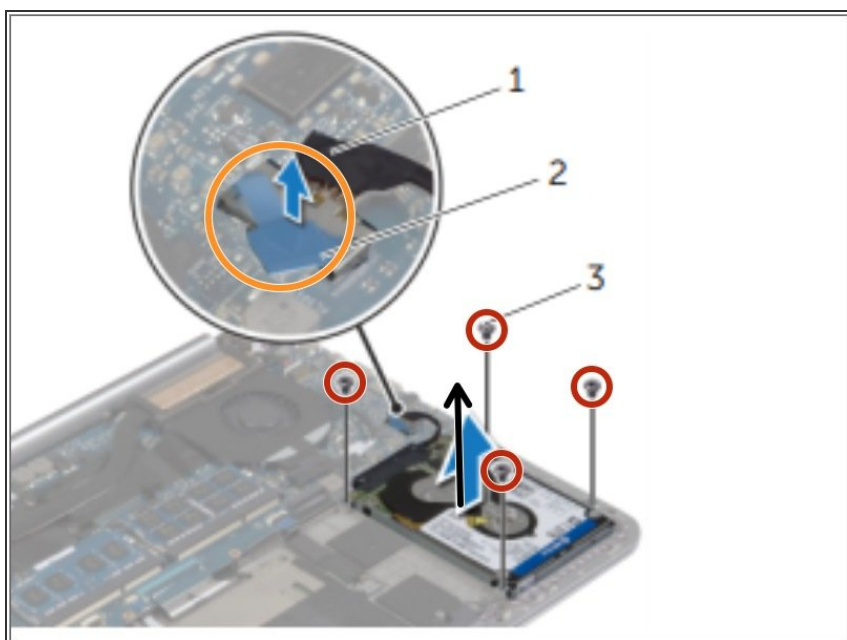
- Using a spudger or some other prying tool (#1), pry off the base-cover assembly from the rest of the system.

Step 3 — Remove Battery



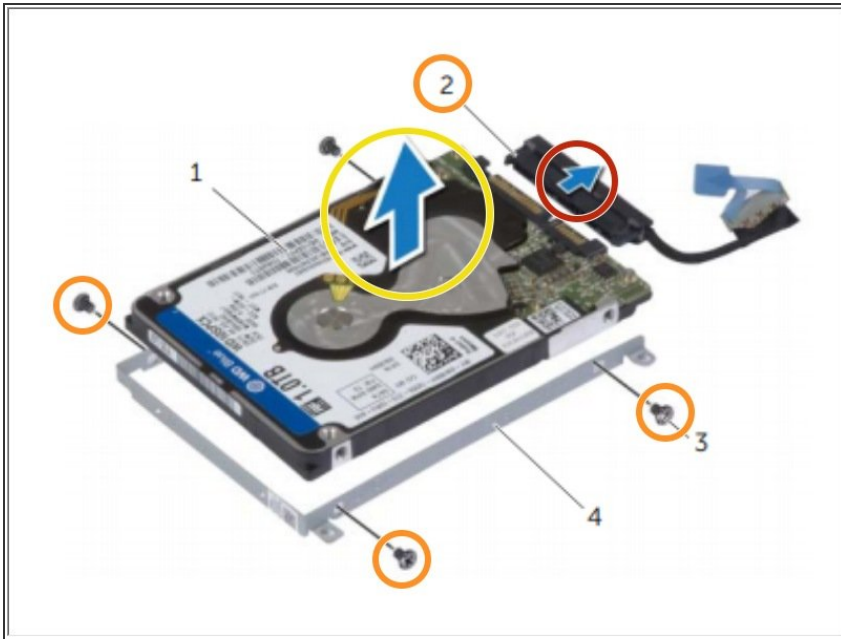
- Remove the screws that secure the battery to the palm-rest assembly.
 - Disconnect the battery cable from the system board.
 - Lift the battery off the palm-rest assembly.
- ⓘ After you remove the battery, turn the computer over, open the display, and press the power button for about five seconds to ground the system board.

Step 4 — Unscrew Hard Drive From the Laptop



- ⚠ CAUTION: To avoid data loss, do not remove the hard drive while the computer is On or in Sleep state.
- ⚠ CAUTION: Hard drives are extremely fragile. Exercise care when handling the hard drive.
- Remove the screws that secure the hard-drive assembly to the palm-rest assembly.
 - Using the pull tab, disconnect the hard-drive cable from the system board.
 - Lift the hard-drive assembly off the palm-rest assembly.

Step 5 — Remove Hard Drive From Bracket



- Disconnect the interposer from the hard-drive assembly.
- Remove the screws that secure the hard-drive bracket to the hard drive.
- Lift the hard drive off the hard-drive bracket.

To reassemble your device, follow these instructions in reverse order with the replacement hard drive.