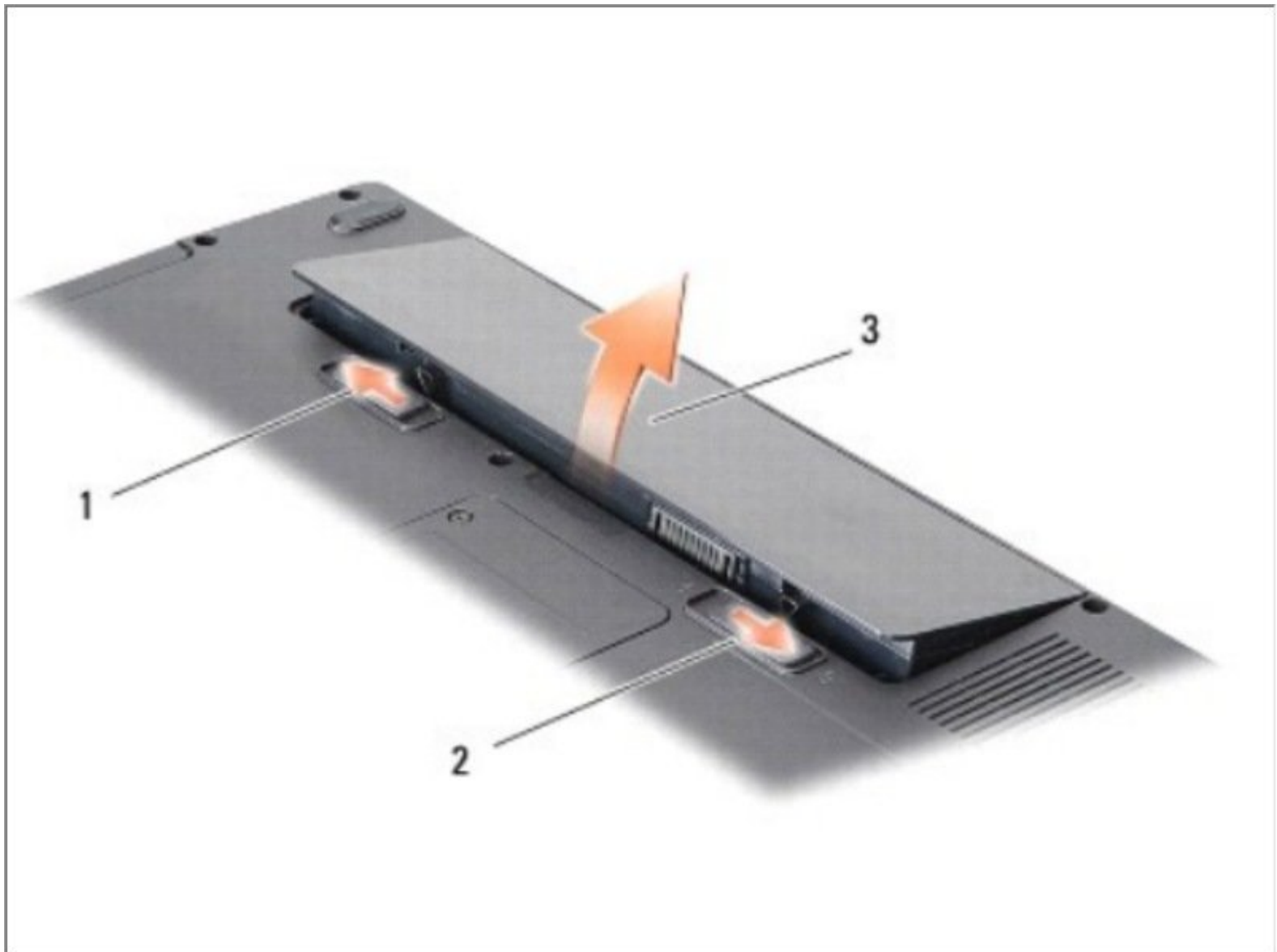




Dell Vostro A840 Battery Replacement

How to replace a dead battery in the Dell Vostro A840.

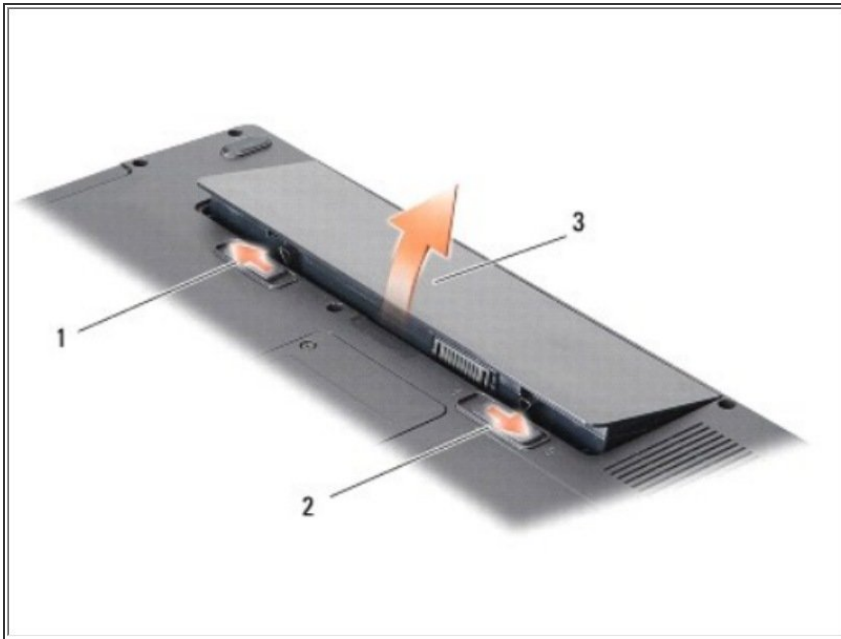
Written By: Johnathan Hammond



INTRODUCTION

In this guide, we will be showing you how to remove and replace the Battery.

Step 1 — Remove the battery



- Unlock the battery by sliding the battery-lock latch towards the outer edge.
 - Slide the battery-bay release latch and hold it.
 - Remove the battery from the battery bay.
- ★ If this is all you are doing Follow Step In Reverse if not Go to Next Step.