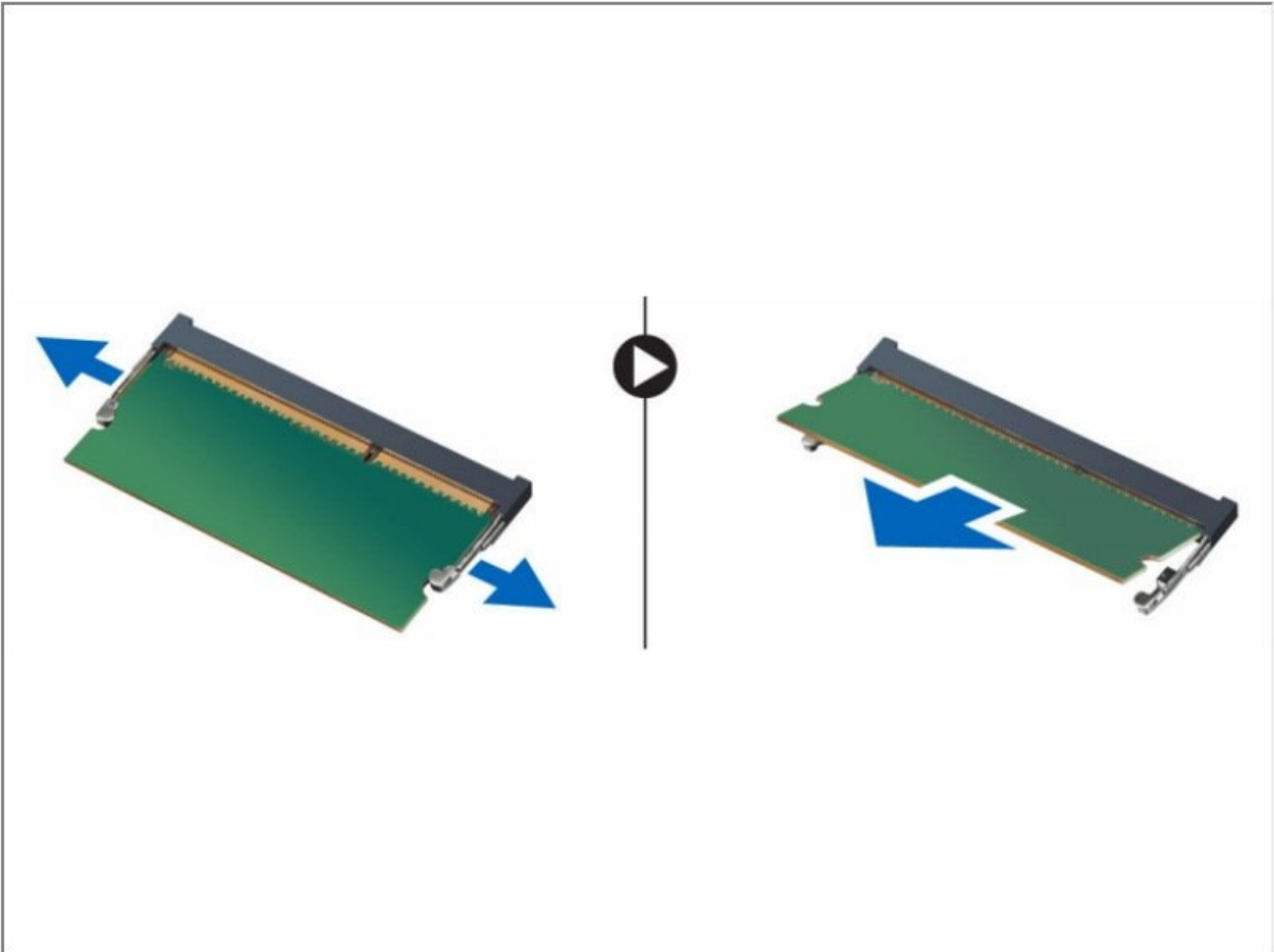




Dell Vostro 3559 Memory Module Replacement

Written By: Johnathan Hammond



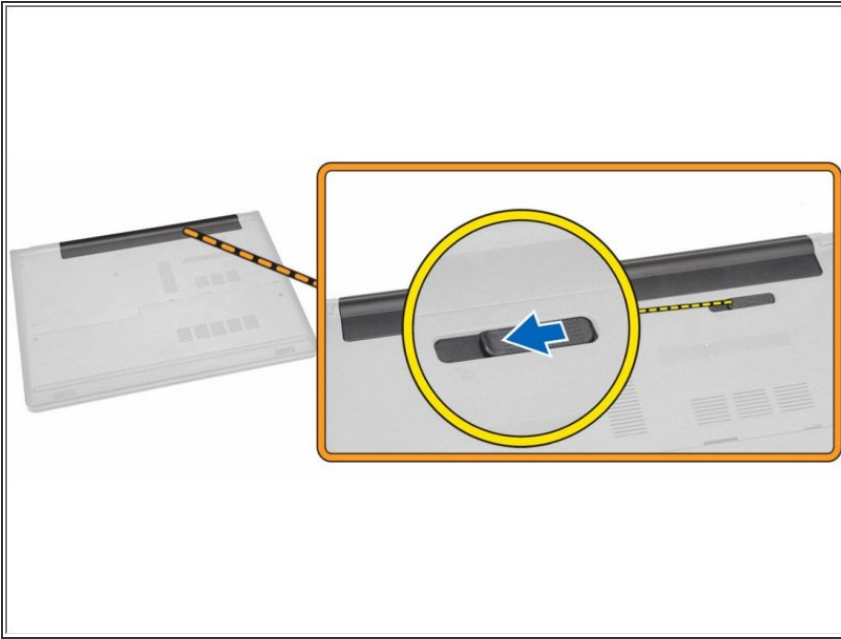
INTRODUCTION

In this guide, we will be showing you how to remove and replace the Memory Module.

TOOLS:

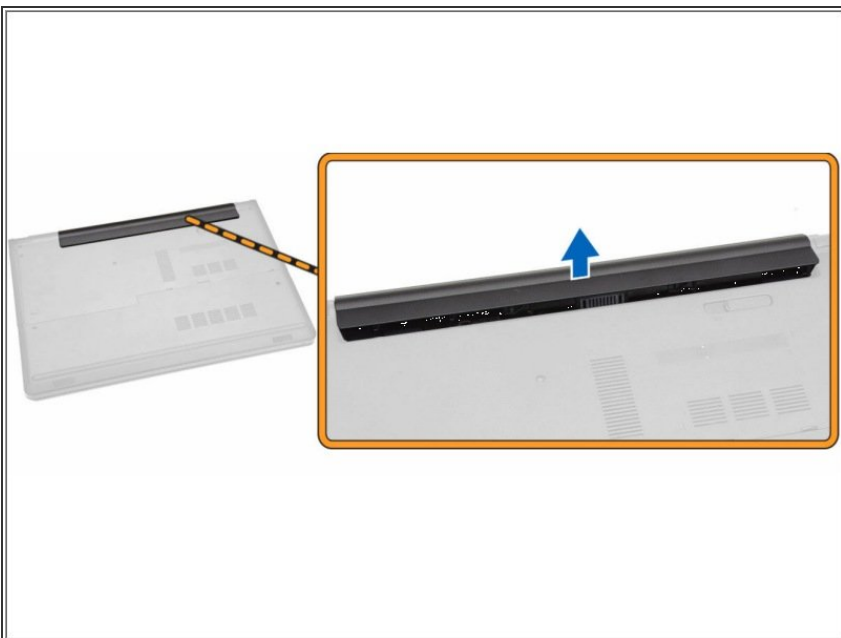
- [Phillips #0 Screwdriver](#) (1)
-

Step 1 — Sliding the Latch



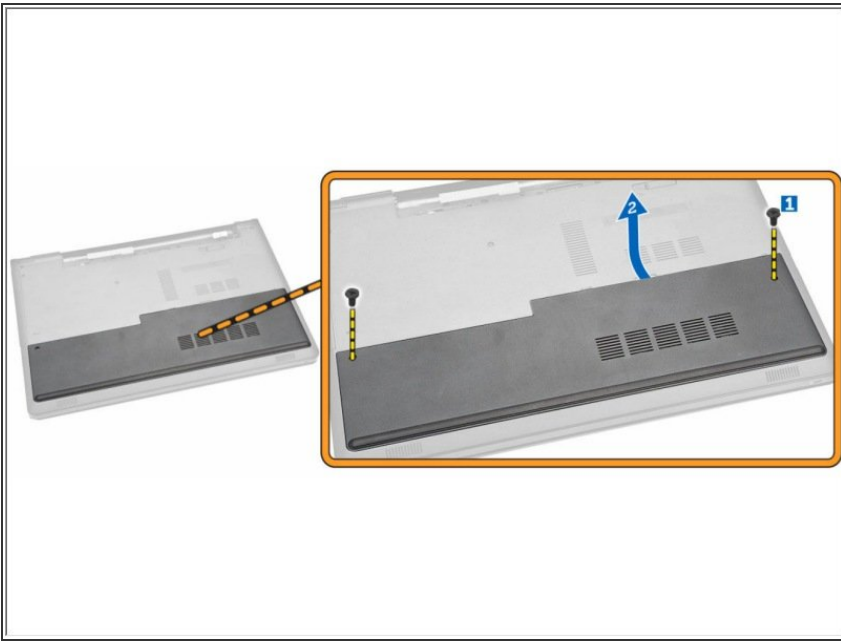
- Slide the release latch outwards to unlock the battery.

Step 2 — Remove the Battery



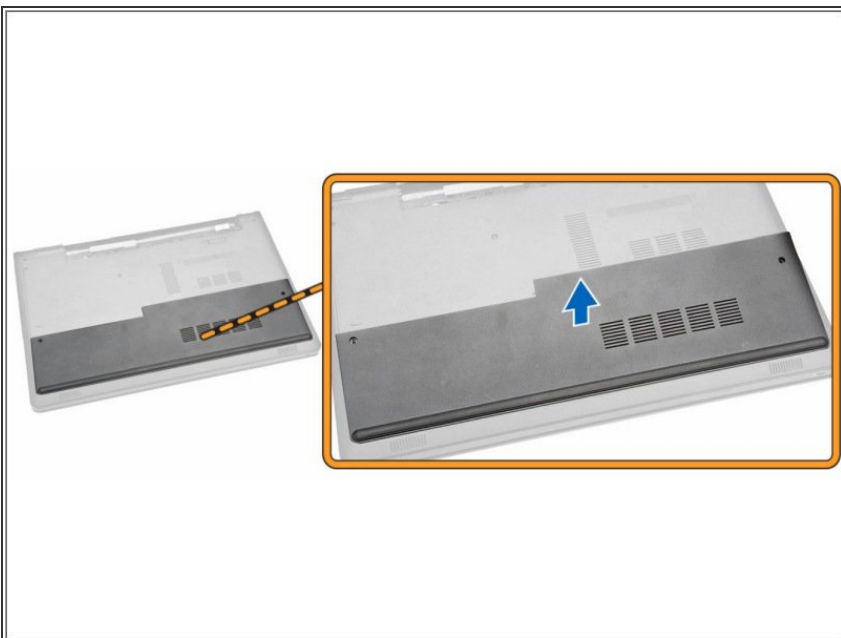
- Remove the battery from the computer.
- ★ If this is all you are doing Follow Step In Reverse if not Go to Next Step.

Step 3 — Remove the Screws



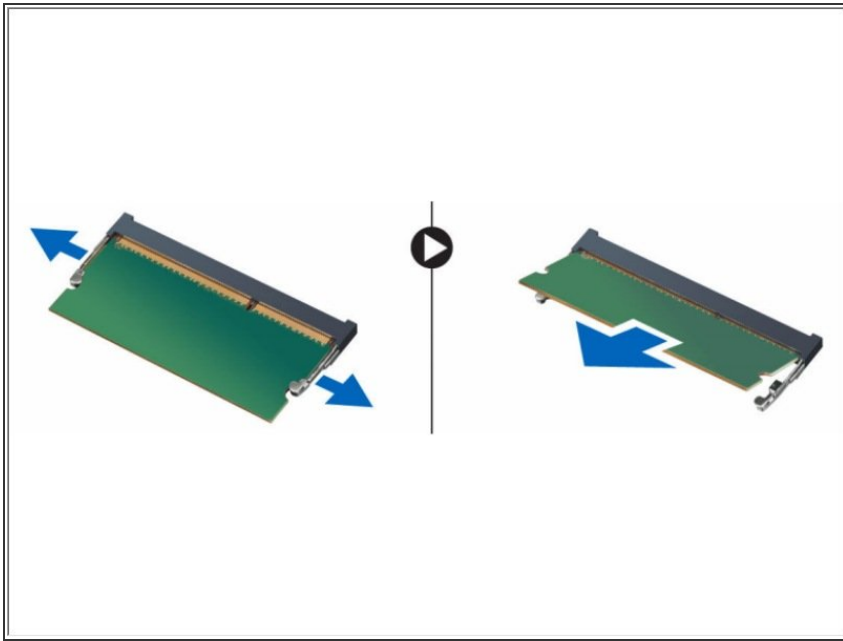
- Remove the screws that secure the access panel to the computer.
- Lift the access panel partially at a 45-degree angle.

Step 4 — Remove the Access Panel



- Remove the access panel from the computer.
- ★ If this is all you are doing Follow Step In Reverse if not Go to Next Step.

Step 5 — Removing the Memory Module



- Pry the securing clips away from the memory module until it pops up.
 - Remove the memory module from its socket on the system board.
- If this is all you are doing Follow Step In Reverse if not Go to Next Step.

This document was last generated on 2019-07-16 09:19:35 AM.