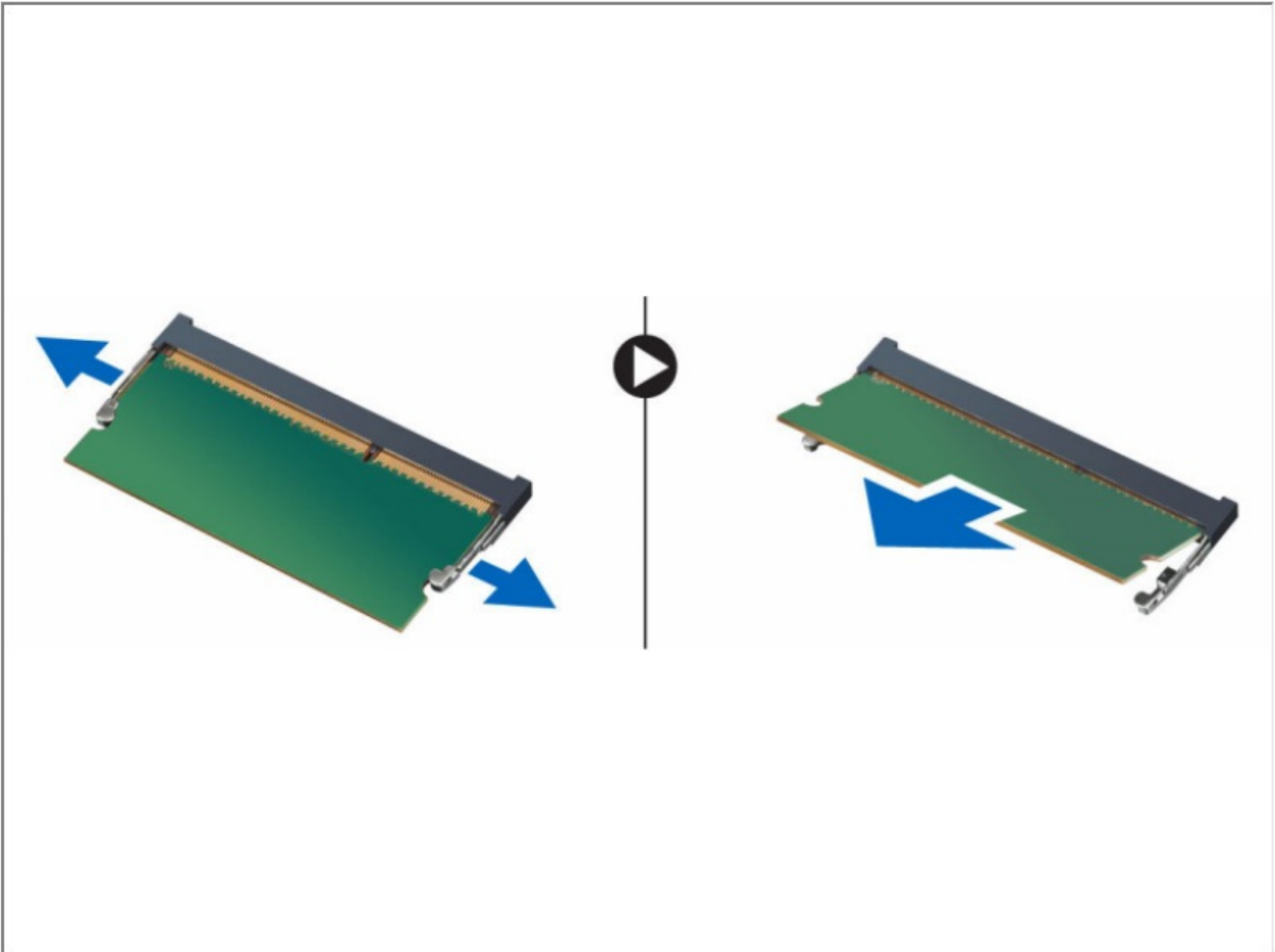




Dell Vostro 3558 Memory Module Replacement

Written By: Johnathan Hammond

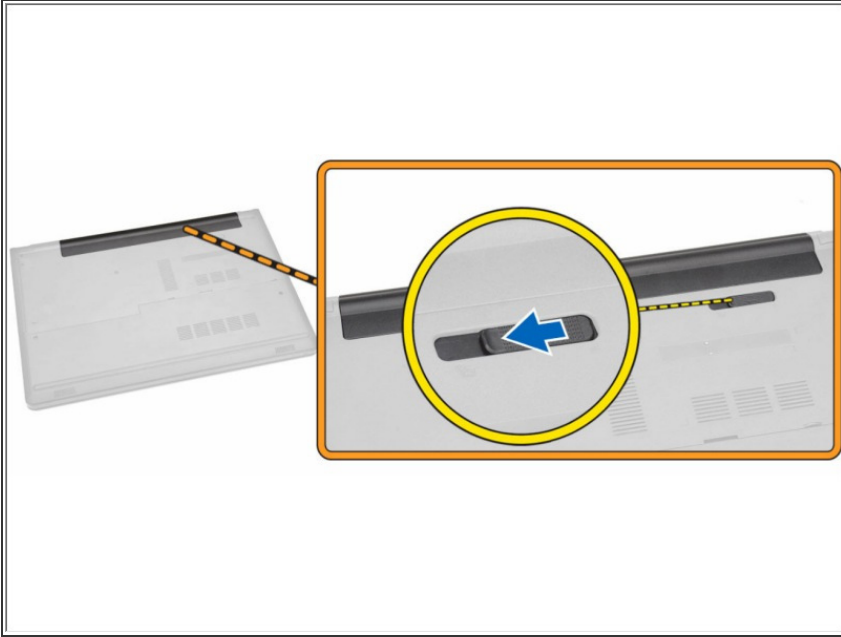




TOOLS:

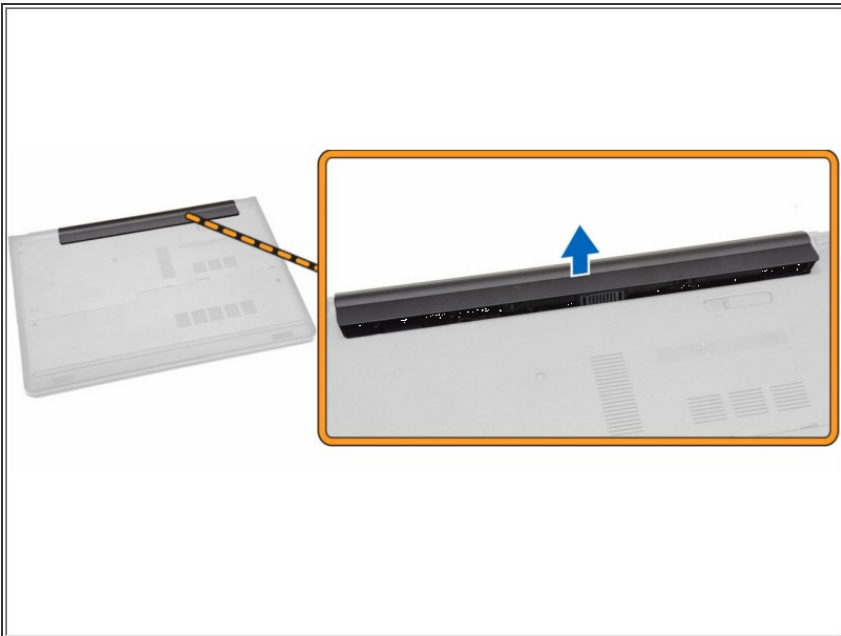
- [Phillips #0 Screwdriver](#) (1)
-

Step 1 — Unlocking the Battery



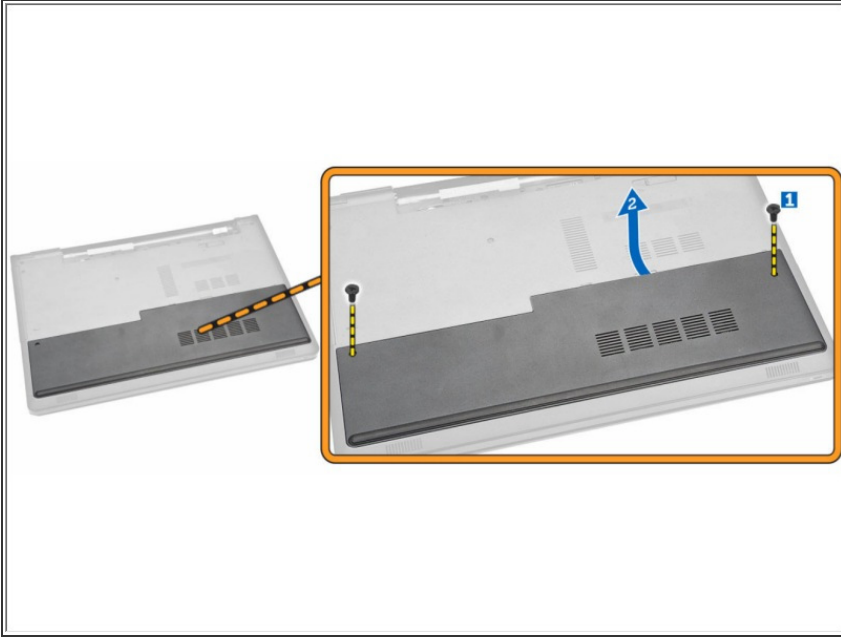
- Slide the release latch outwards to unlock the battery.

Step 2 — Removing the Battery



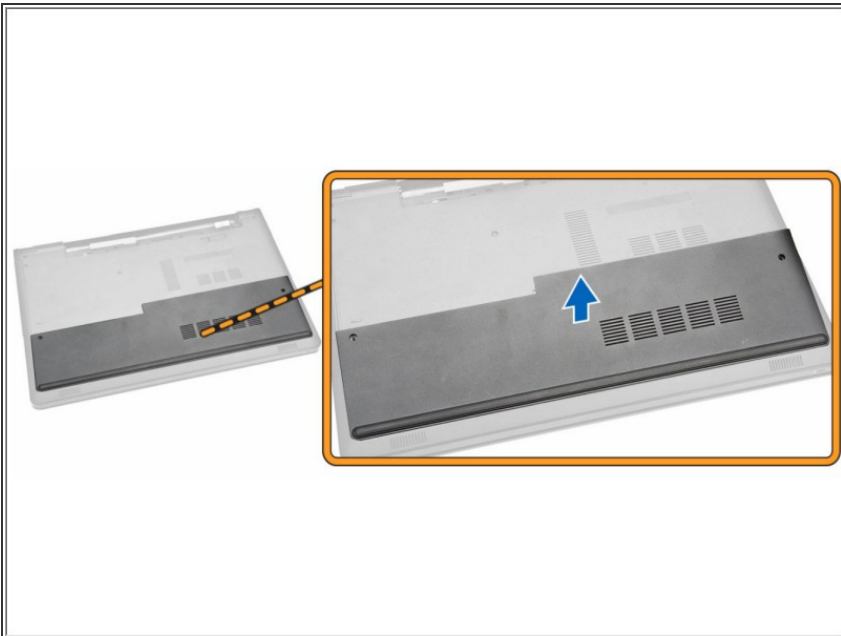
- Remove the battery from the computer.
- ★ If this is all you are doing Follow Step In Reverse if not Go to Next Step.

Step 3 — Access Panel



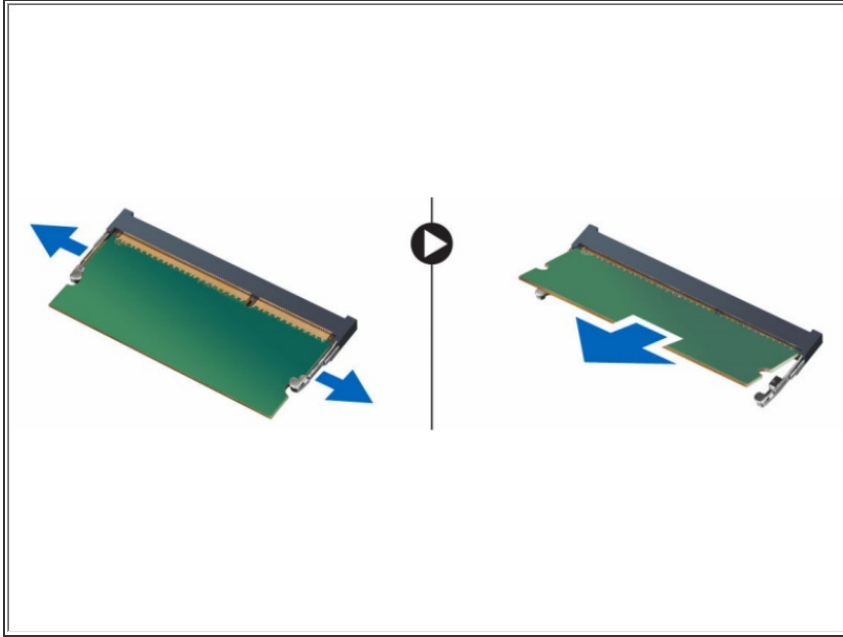
- Remove the screws that secure the access panel to the computer [1].
- Lift the access panel partially at a 45-degree angle [2].

Step 4 — Remove the Access Panel



- Remove the access panel from the computer.
- ☑ If this is all you are doing Follow Step In Reverse if not Go to Next Step.

Step 5 — Memory Module



- Pry the securing clips away from the memory module until it pops up
- Remove the memory module from its socket on the system board.
- If this is all you are doing Follow Step In Reverse if not Go to Next Step.

To reassemble your device, follow these instructions in reverse order.

This document was last generated on 2018-06-27 06:53:33 AM.