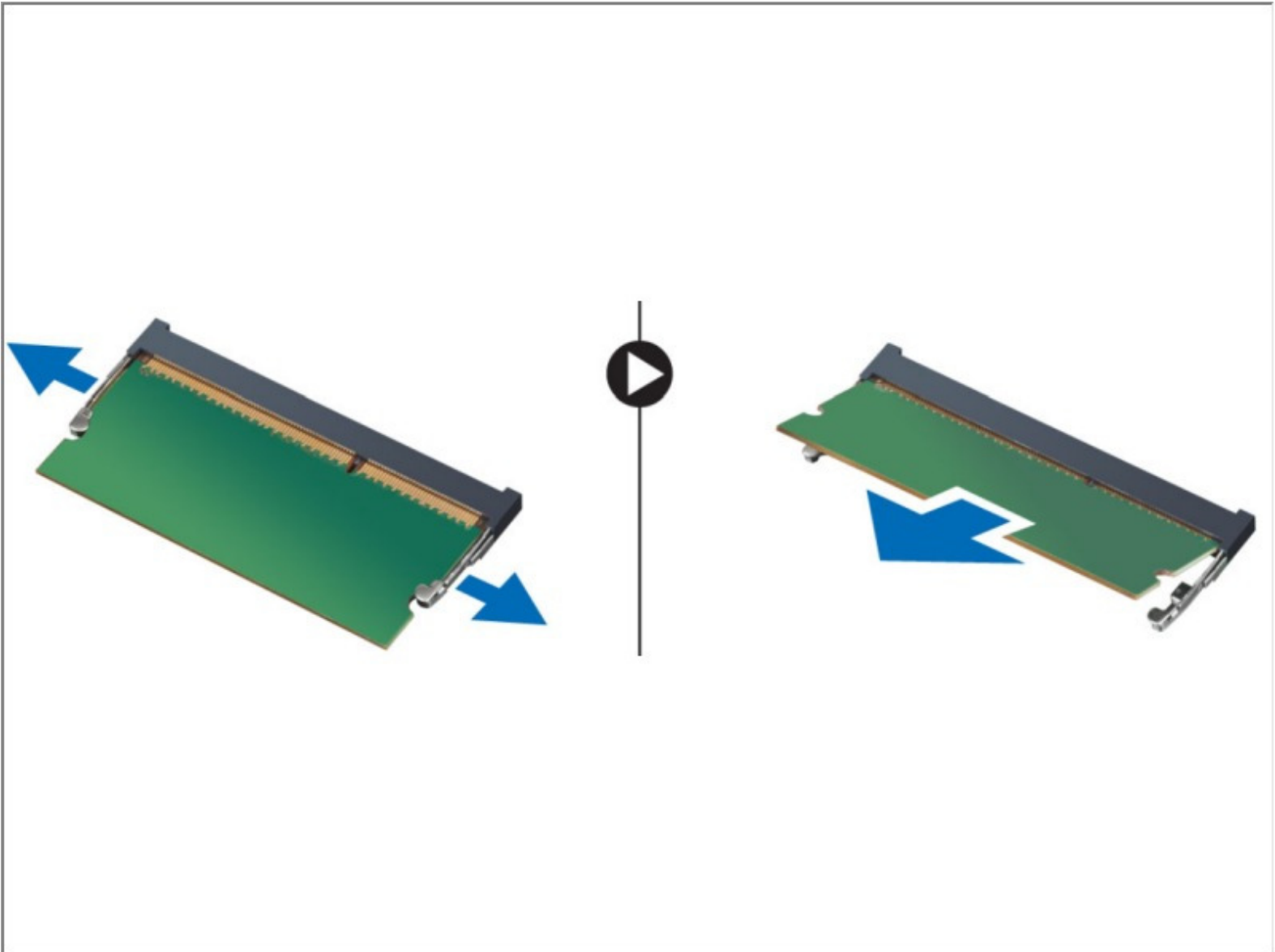




Dell Vostro 3458 Memory Module Replacement

Written By: Johnathan Hammond



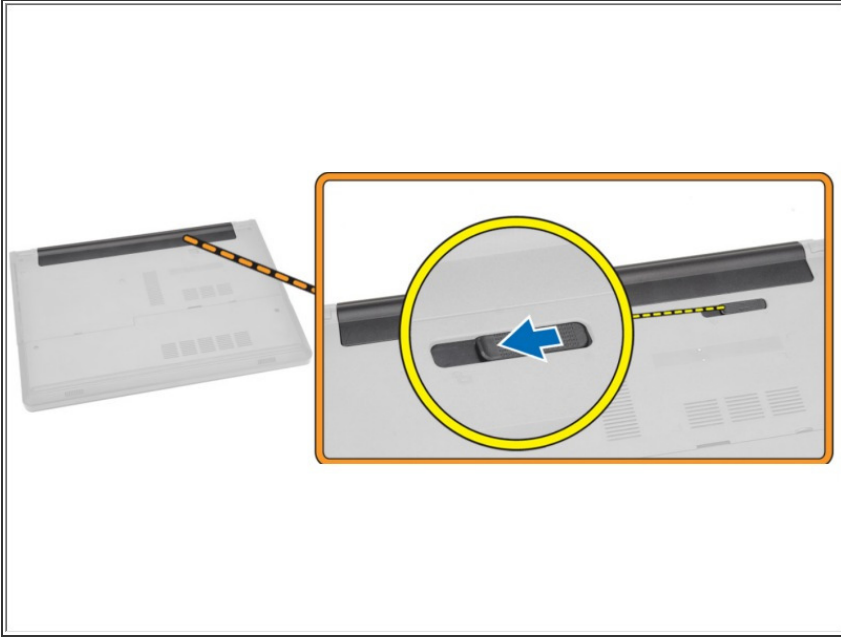
INTRODUCTION

In this guide, we will show you how to remove and replace Memory Module.

TOOLS:

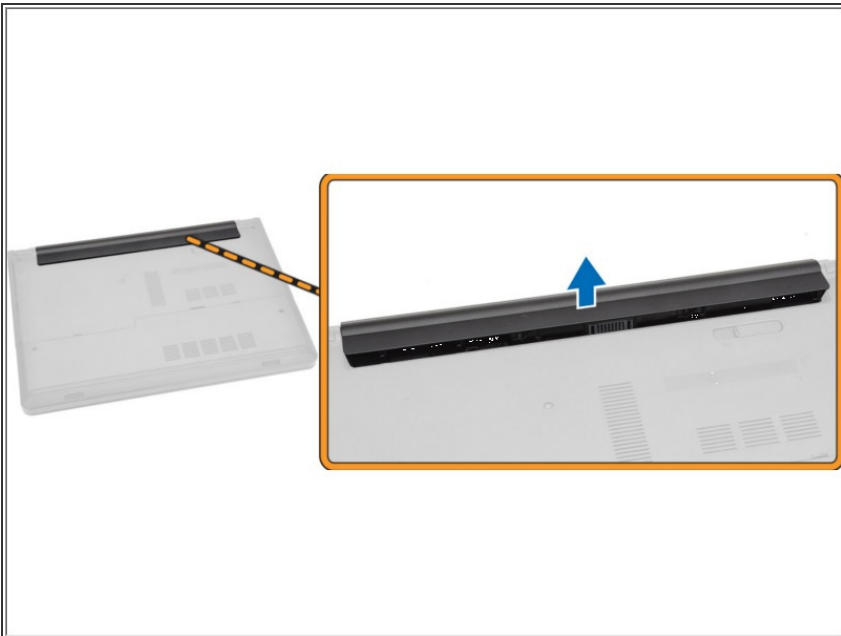
- [Phillips #0 Screwdriver](#) (1)
-

Step 1 — Releasing the Battery



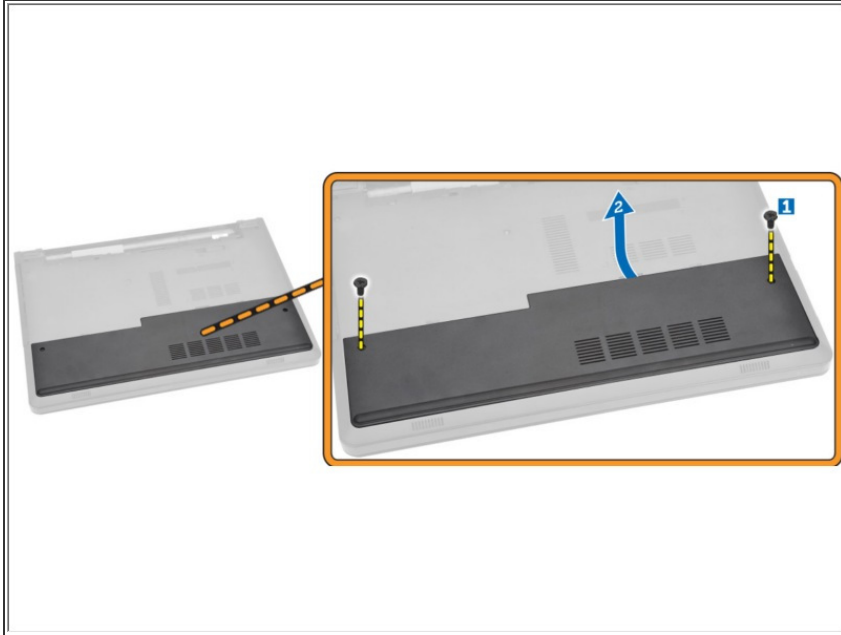
- Slide the release latch outwards to unlock the battery.

Step 2 — Lifting the Battery



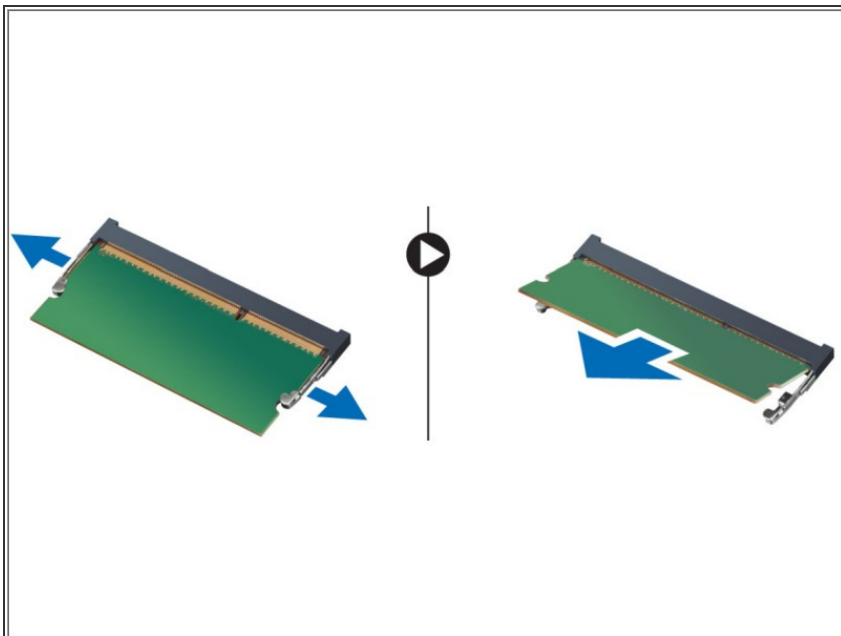
- Lift the battery to remove it from the computer.

Step 3 — Remove the Screws



- Remove the screws that secure the access panel to the computer.
- Lift the access panel away from the computer.

Step 4 — Removing the Memory Module



- Pry the securing clips away from the memory module until it pops up.
- Remove the memory module from its socket on the system board.

To reassemble your device, follow these instructions in reverse order.