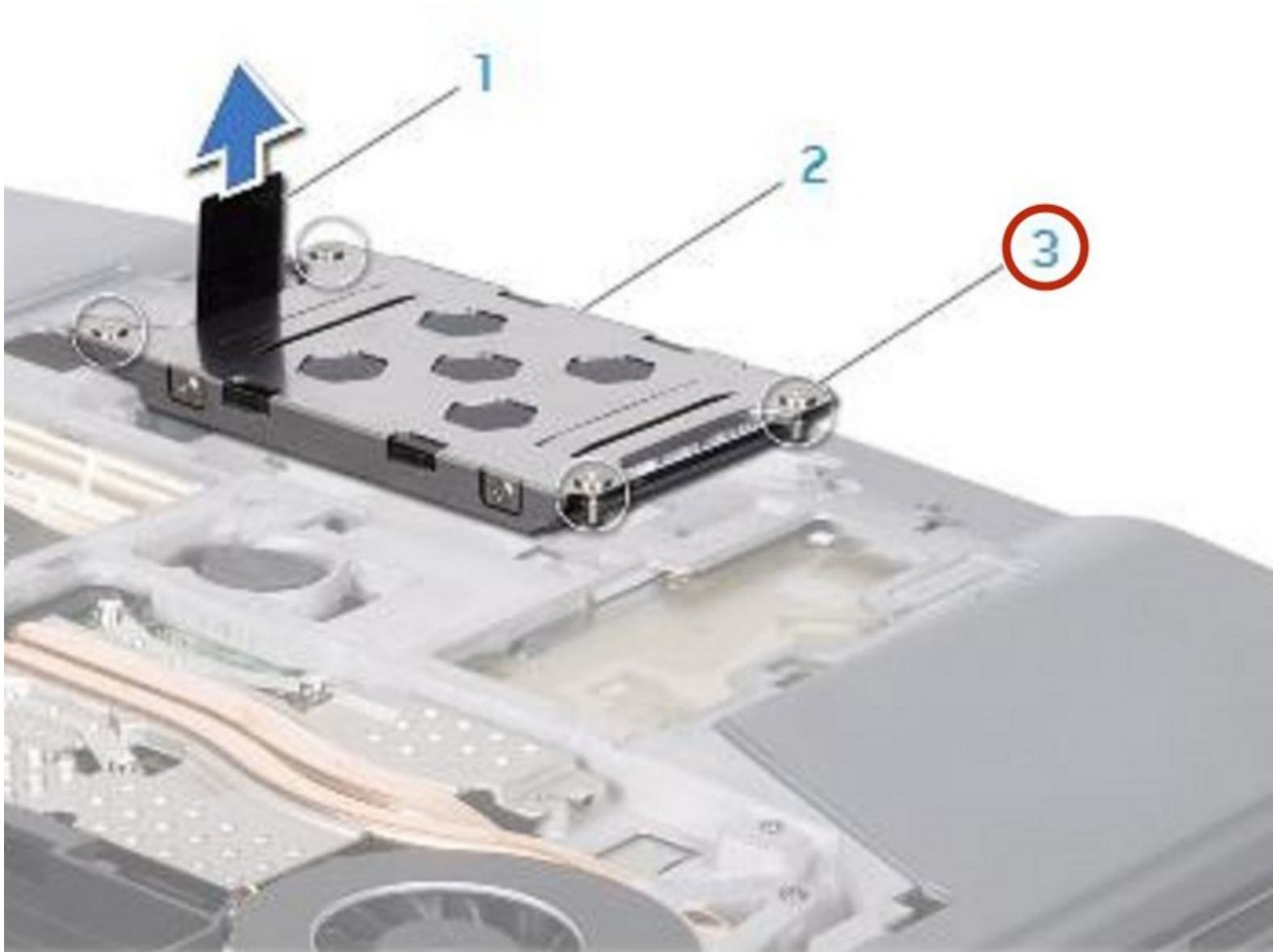




Alienware M15x Hard-Drive Replacement

Written By: Terrence15



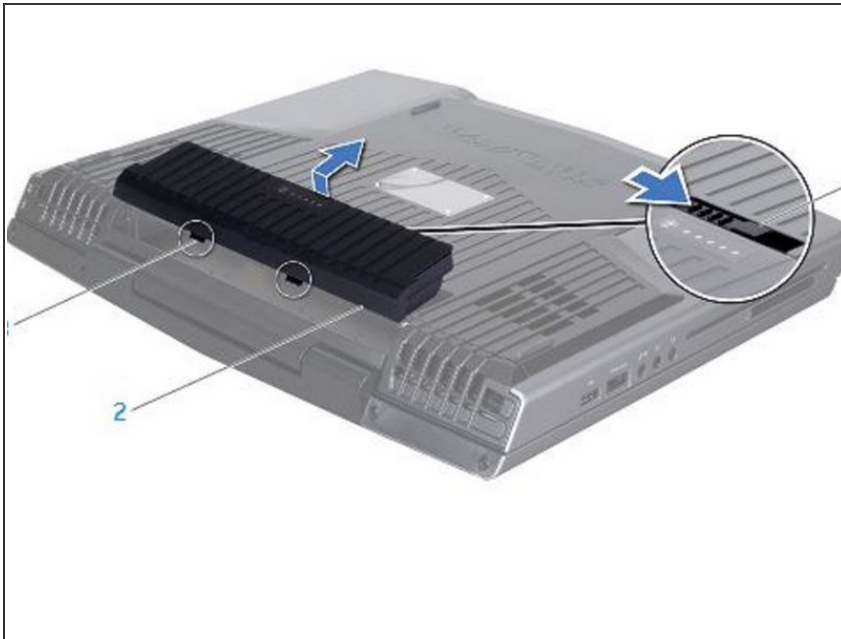
INTRODUCTION

In this guide, we will show you how to remove and replace the Hard-Drive.

TOOLS:

- [Essential Electronics Toolkit \(1\)](#)
-

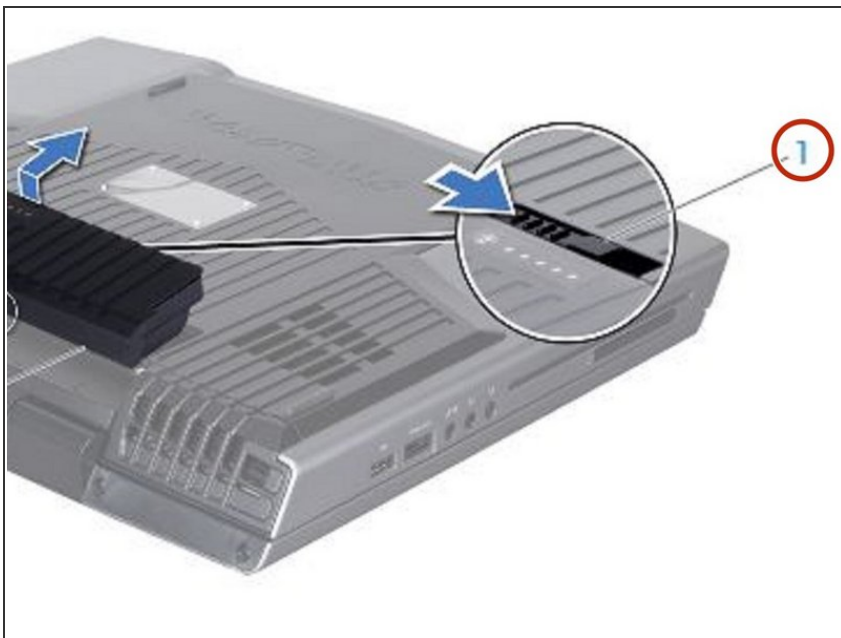
Step 1 — Turn the Computer



⚠ WARNING: Before working inside your computer, read the safety information that shipped with your computer.

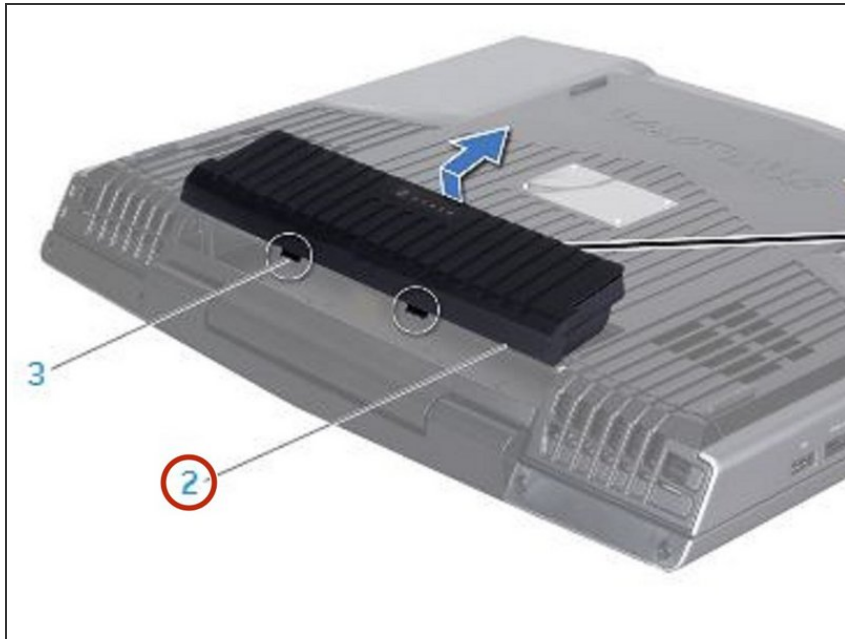
- Turn the computer over.

Step 2 — Sliding the Battery



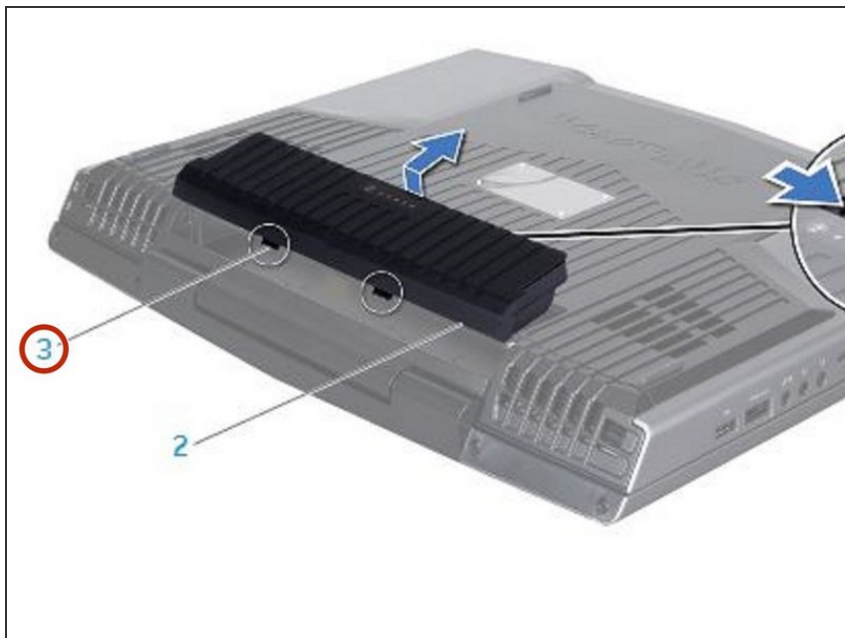
- Slide the battery latch to the unlock position as shown.

Step 3 — Removing the Battery Pack



- After the Battery Pack pops up, remove the Battery Pack.

Step 4 — Aligning the Battery Pack Tabs



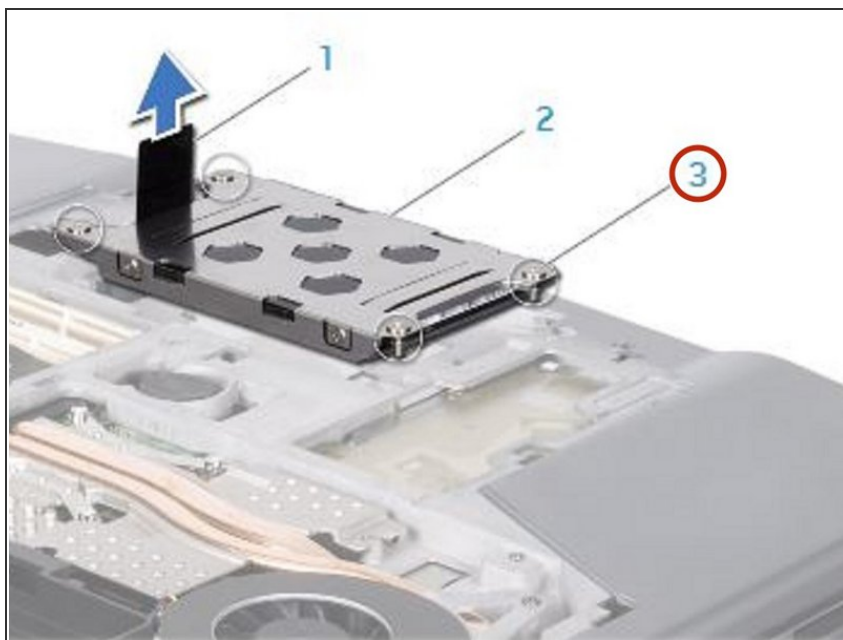
- Align the battery pack tabs with the slots in the battery bay.

Step 5 — Pushing the Battery Pack



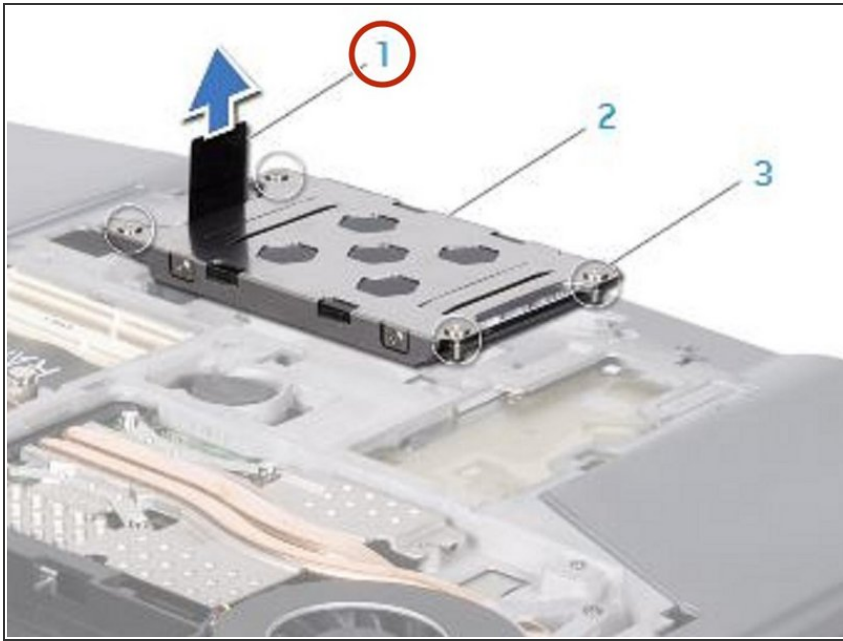
- Push the **NEW** battery pack into the battery bay until the battery pack clicks into place.

Step 6 — Loosen the Screws



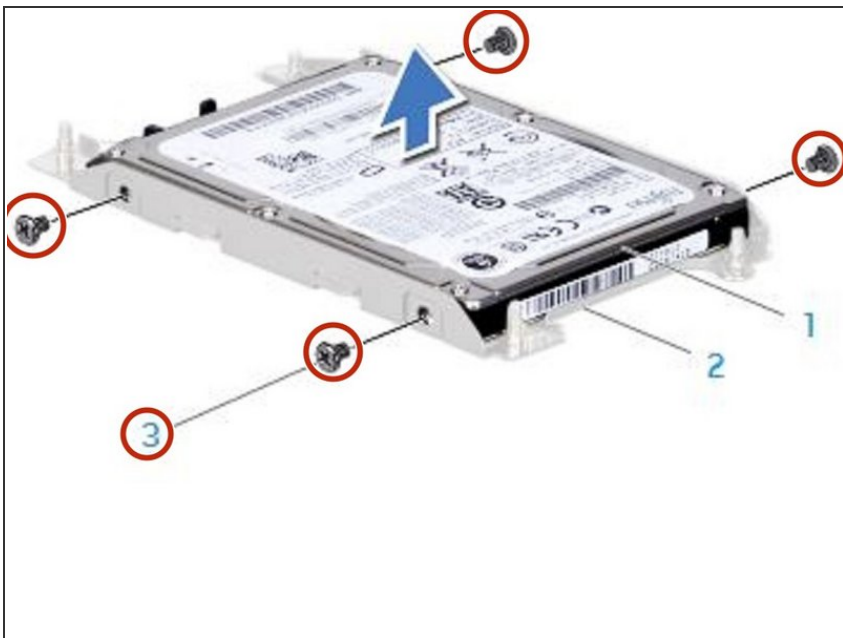
- ⚠ **WARNING:** Before working inside your computer, read the safety information that shipped with your computer.
- ⚠ **WARNING:** If you remove the hard drive from the computer when the drive is hot, do not touch the metal housing of the hard drive.
- Loosen the four captive screws that secure the hard-drive assembly.

Step 7 — Lifting the Hard-Drive Assembly



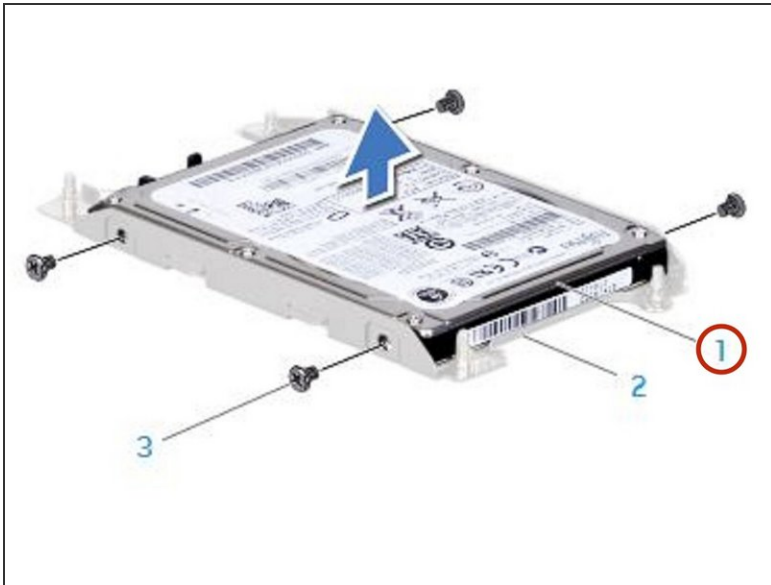
- Using the pull-tab, lift the hard-drive assembly out of the hard-drive bay.

Step 8 — Remove the Screws



- Remove the four screws that secure the hard drive to the hard-drive bracket.

Step 9 — Lifting the Hard Drive



- Lift the hard drive out of the hard-drive bracket.

Step 10 — Disconnect the Interposer



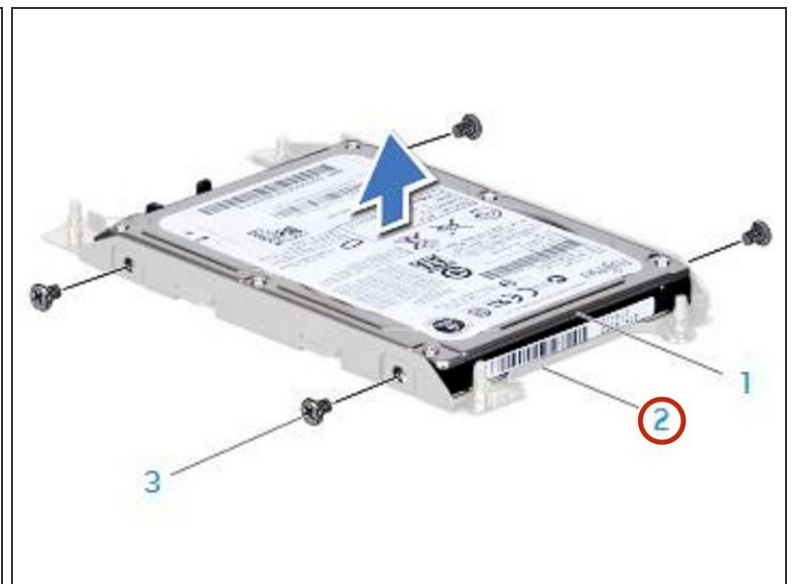
- Disconnect the interposer from the hard drive.

Step 11 — Connecting the Interposer



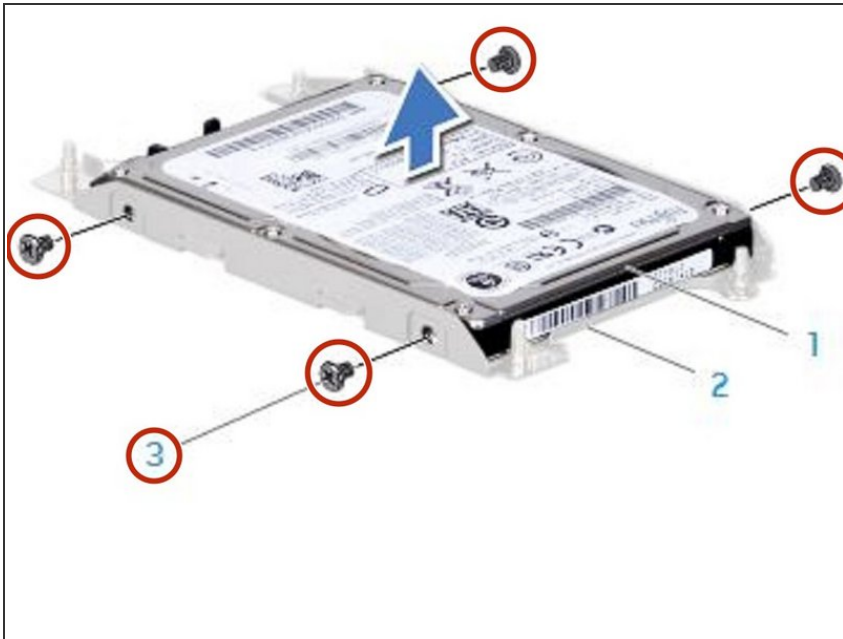
- Connect the interposer to the **NEW** hard drive.

Step 12 — Placing the Hard-Drive in the Bracket



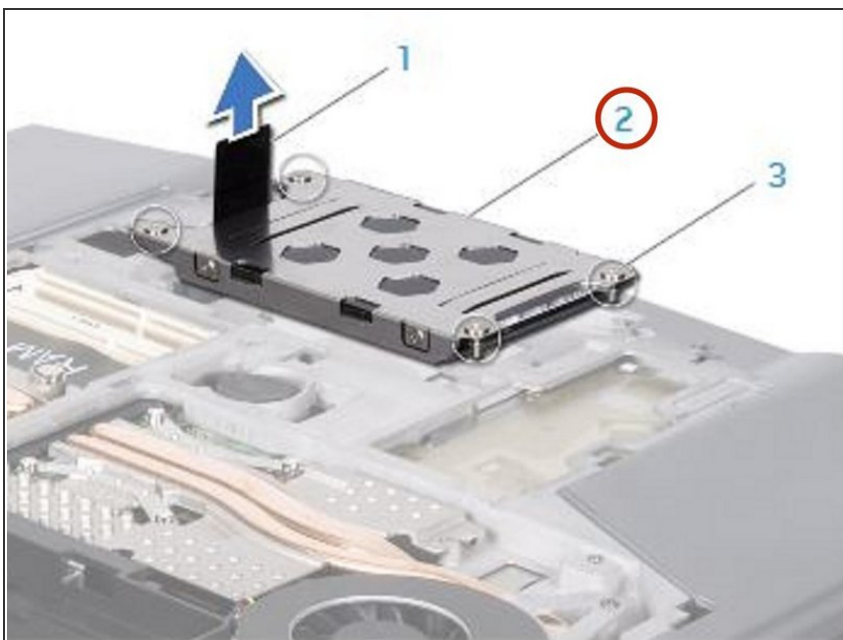
- Place the hard drive in the hard-drive bracket.

Step 13 — Replace the Four Screws



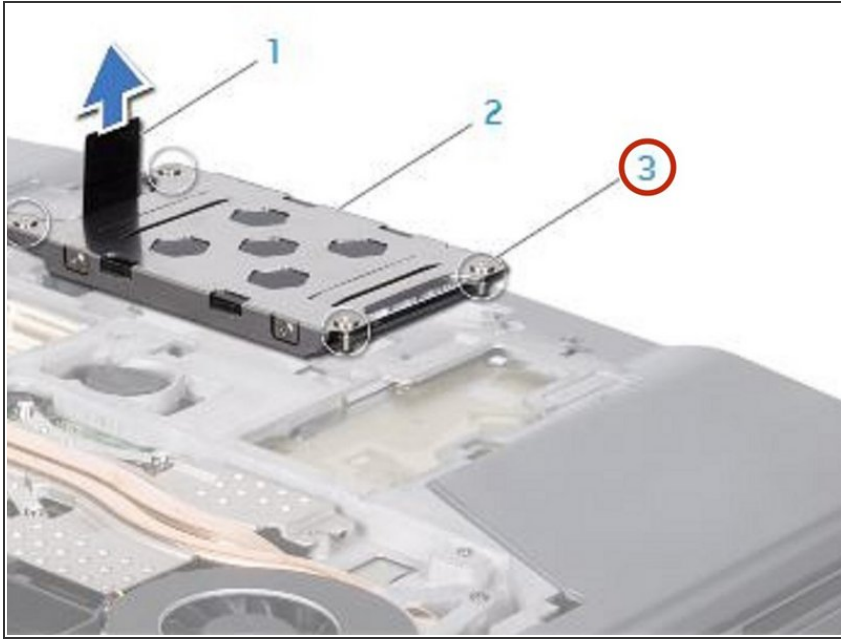
- Replace the four screws that secure the hard drive to the hard-drive bracket.

Step 14 — Placing the Hard-Drive Assembly



- Place the hard-drive assembly in the hard-drive bay.

Step 15 — Aligning and Tightening the Screws



- Align and tighten the four captive screws that secure the hard-drive assembly to the hard-drive bay.

To reassemble your device, follow these instructions in reverse order.