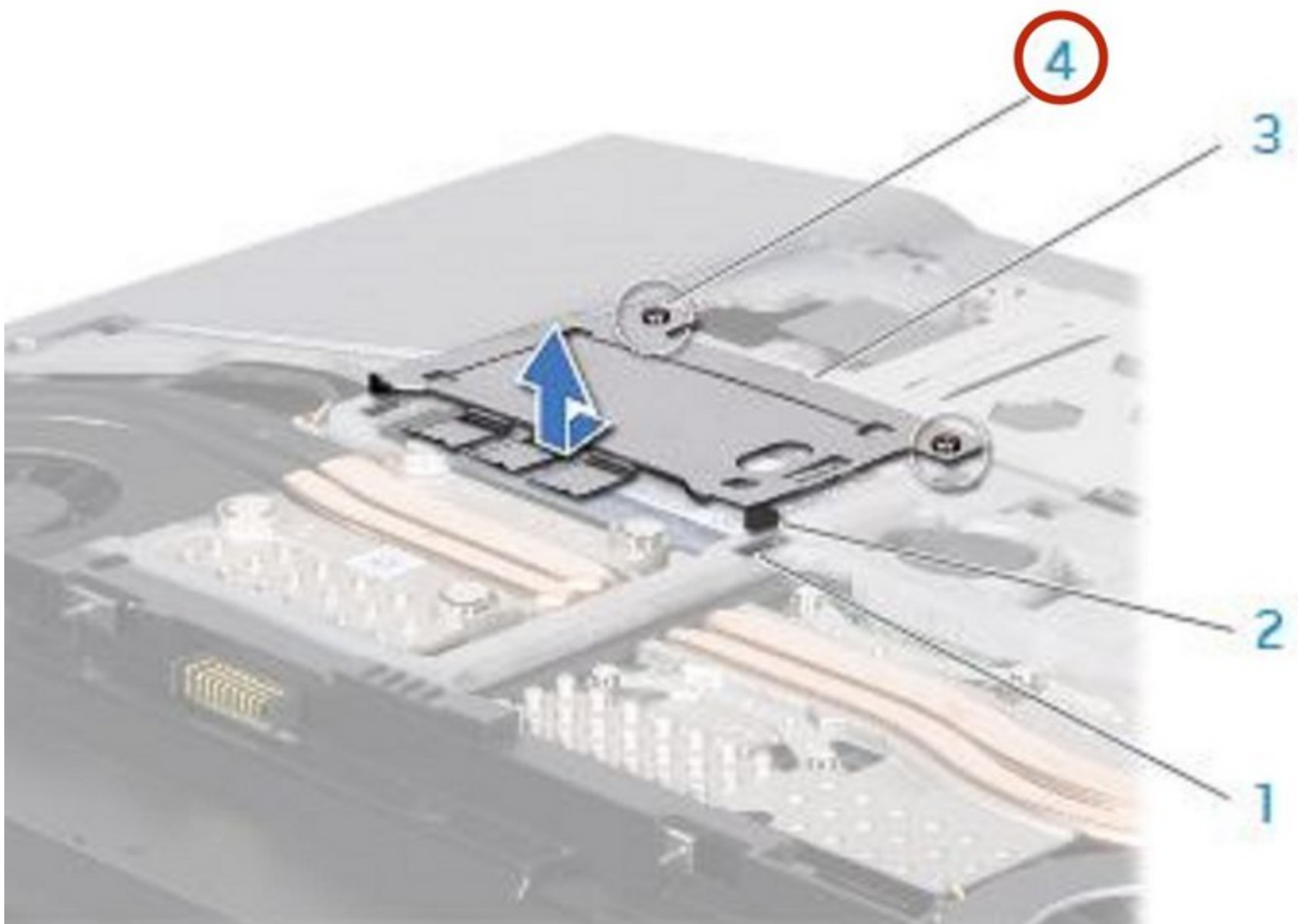




# Alienware M15x Memory Modules Replacement

Written By: Terrence15



---

## INTRODUCTION

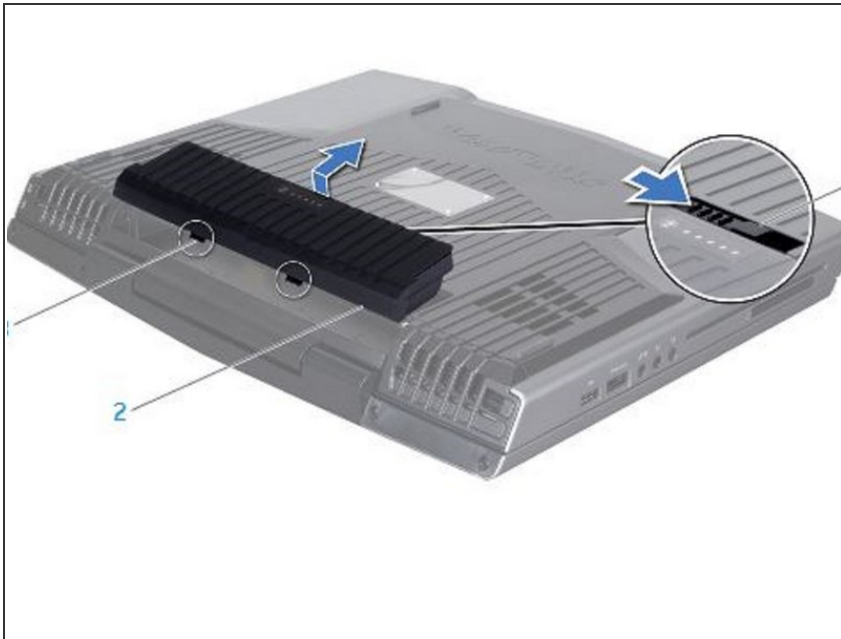
In this guide, we will show you how to remove and replace the Memory Modules.

---

### TOOLS:

- [Essential Electronics Toolkit](#) (1)
-

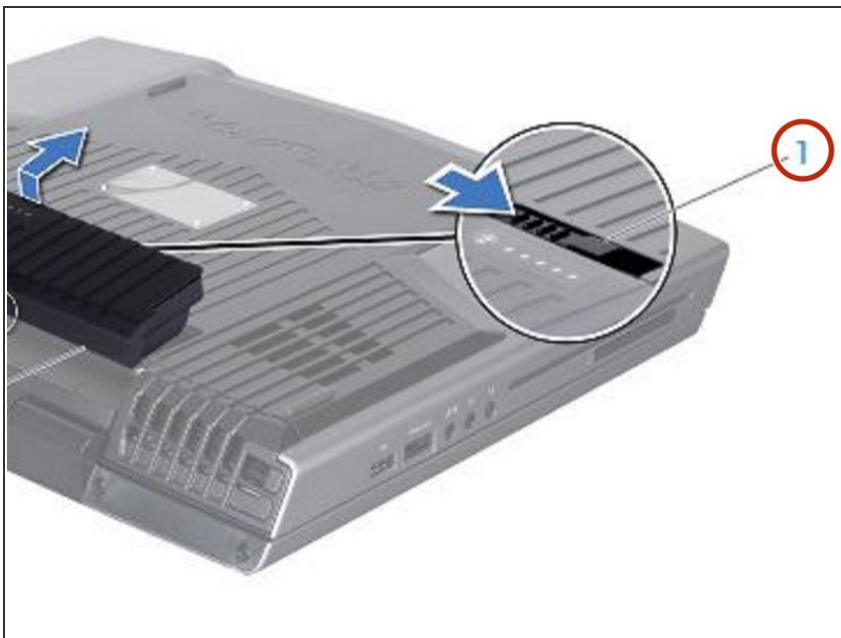
## Step 1 — Turn the Computer



**⚠ WARNING:** Before working inside your computer, read the safety information that shipped with your computer.

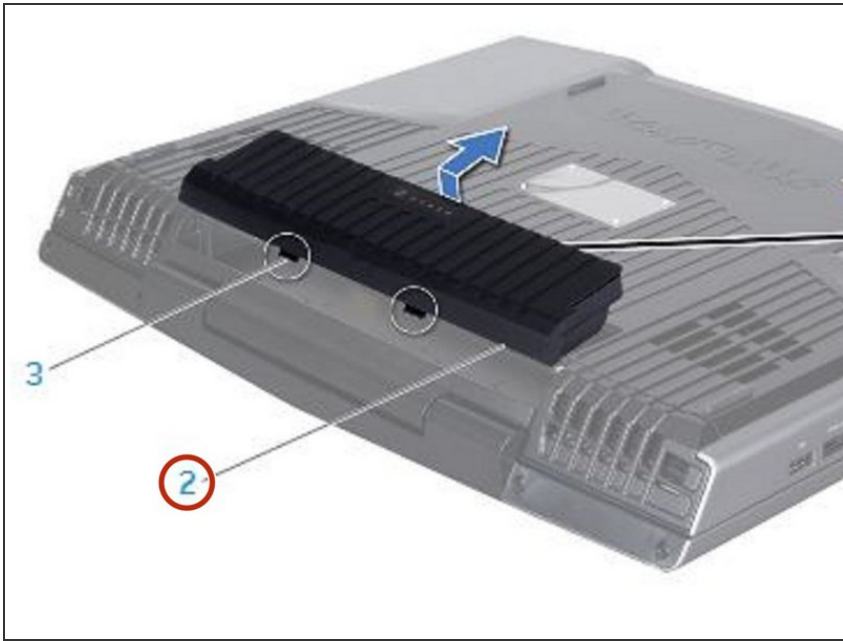
- Turn the computer over.

## Step 2 — Sliding the Battery



- Slide the battery latch to the unlock position as shown.

### Step 3 — Removing the Battery Pack



- After the Battery Pack pops up, remove the Battery Pack.

### Step 4 — Aligning the Battery Pack Tabs



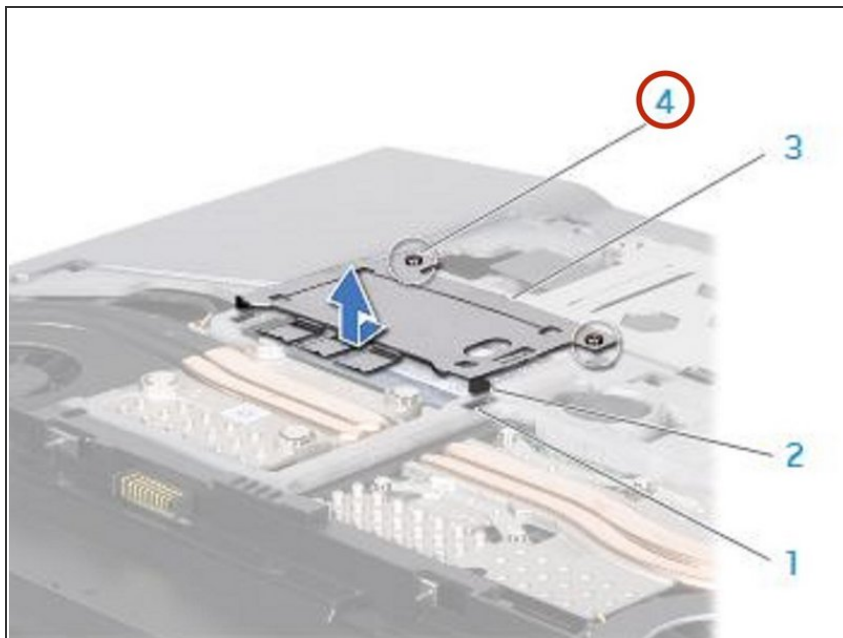
- Align the battery pack tabs with the slots in the battery bay.

## Step 5 — Pushing the Battery Pack



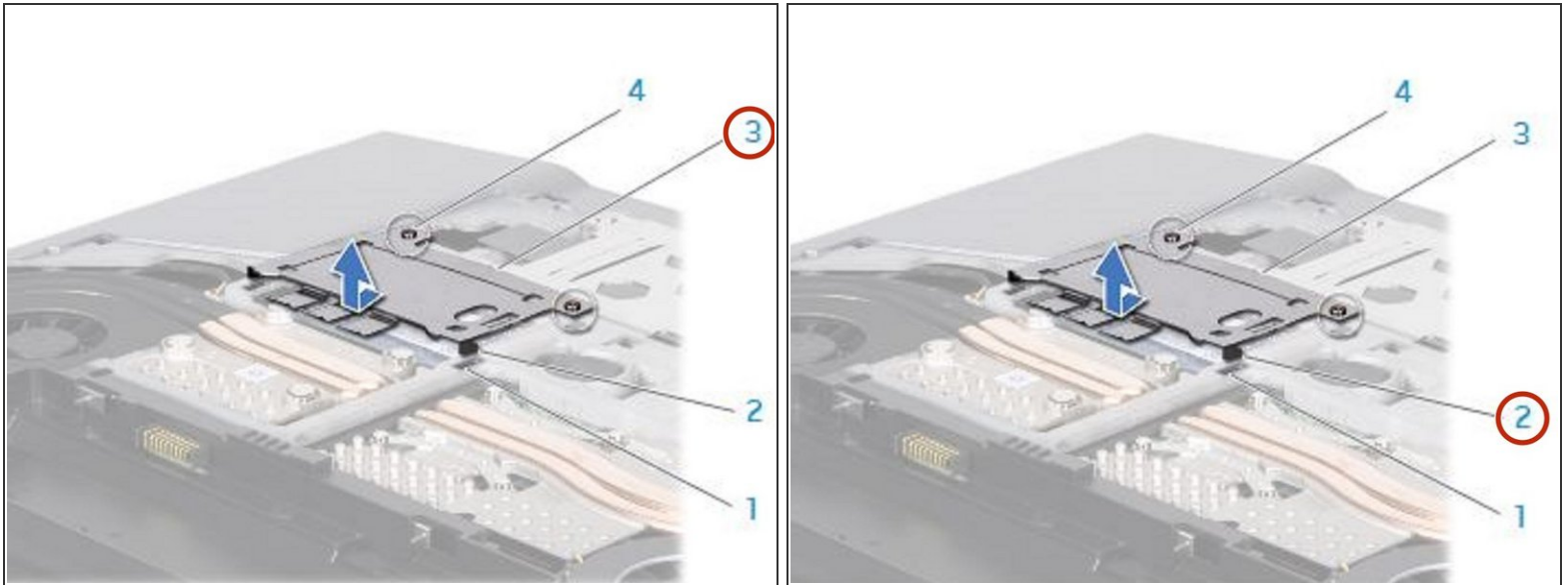
- Push the **NEW** battery pack into the battery bay until the battery pack clicks into place.

## Step 6 — Loosen the Screws



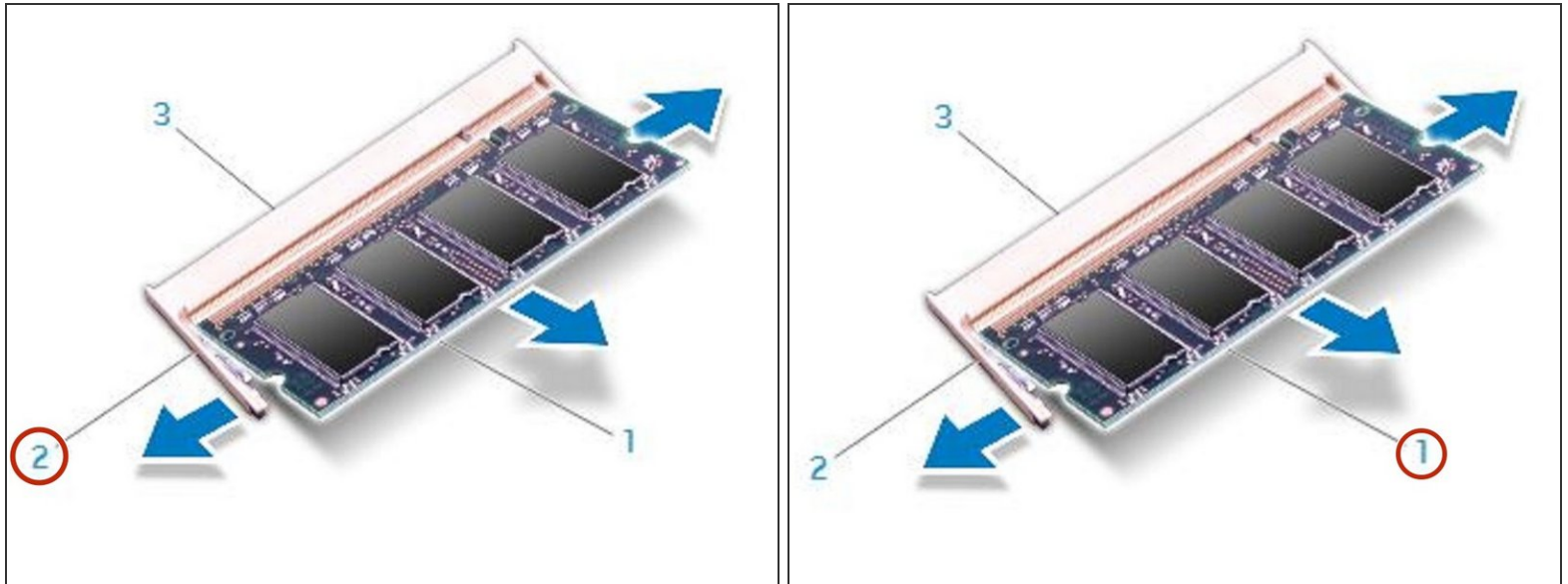
- ⚠ **WARNING:** Before working inside your computer, read the safety information that shipped with your computer.
- ⚠ **CAUTION:** To avoid electrostatic discharge, ground yourself by using a wrist grounding strap or by periodically touching an unpainted metal surface (such as a connector on the back of the computer).
- Loosen the two captive screws that secure the memory-module door to the computer base.

## Step 7 — Lifting the Memory Module Door



- Slide the memory-module door to release the tabs and lift the memory-module door out of the computer base.

## Step 8 — Popping up the Memory Module

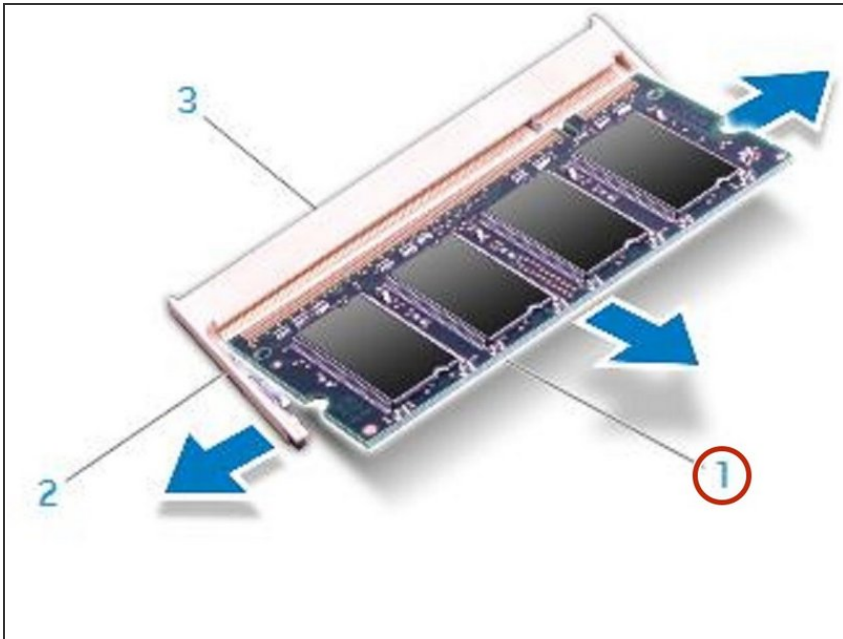


**⚠ CAUTION:** If you need to remove memory modules from both connectors, remove the memory module in the upper connector before you remove the module in the lower connector.

**⚠ CAUTION:** To prevent damage to the memory module connector(s), do not use tools to spread the memory module spring-locks.

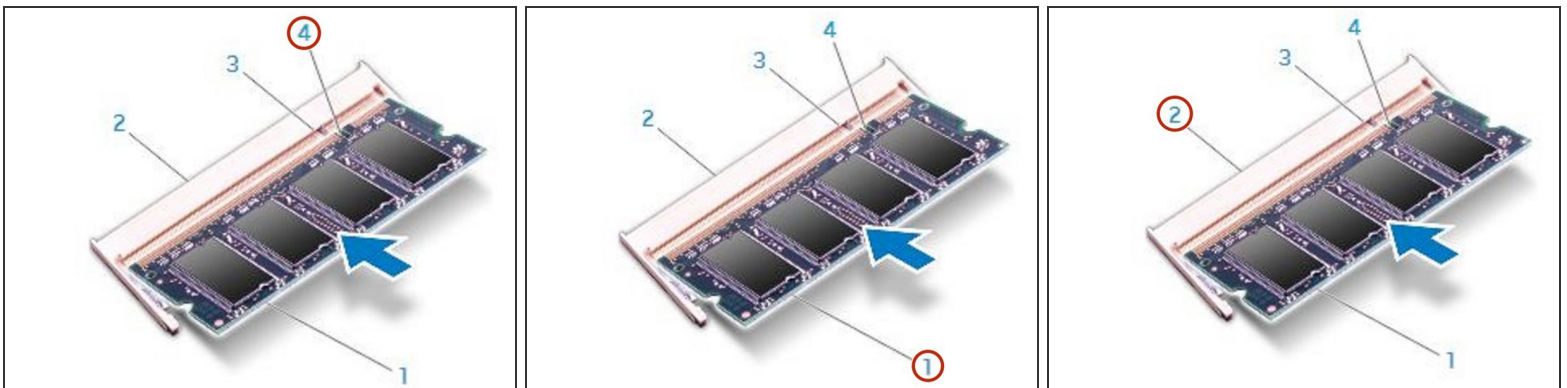
- Use your fingertips to carefully spread apart the spring-locks on the memory-module connector until the memory module pops up.

## Step 9 — Remove the Memory Module



- Remove the memory module.

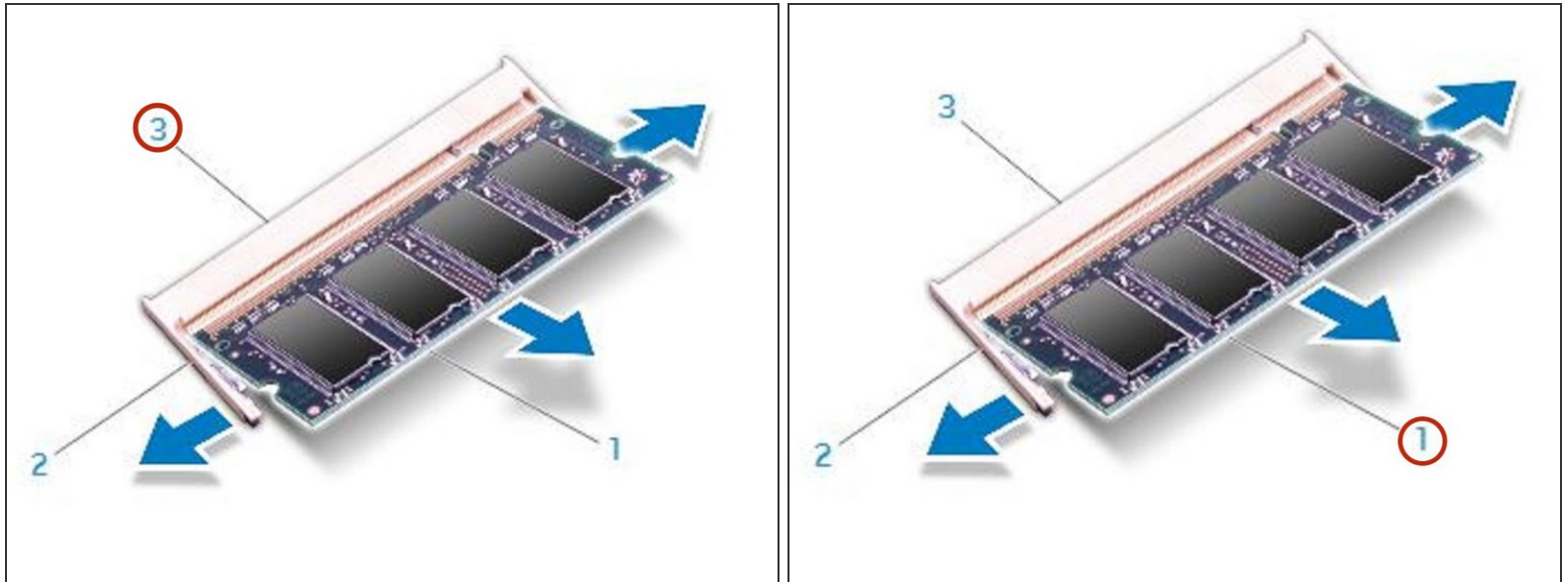
## Step 10 — Align the Notch



- Align the notch on the **NEW** memory module with the tab on the memory-module connector.

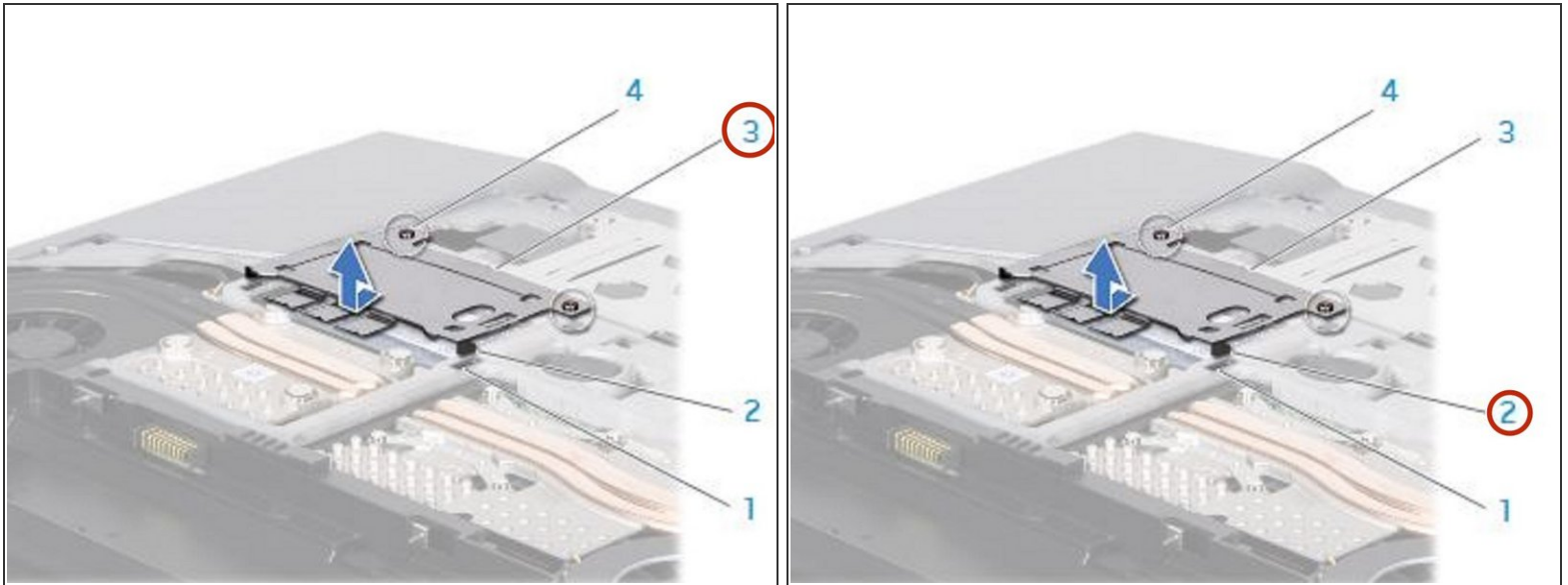


## Step 11 — Insert the Module



- Insert the module into the memory-module connector at a 45-degree angle, and press the memory module down until it clicks into place. If you do not hear the click, remove the module and reinstall it.

## Step 12 — Align and Insert the Memory Module Tabs

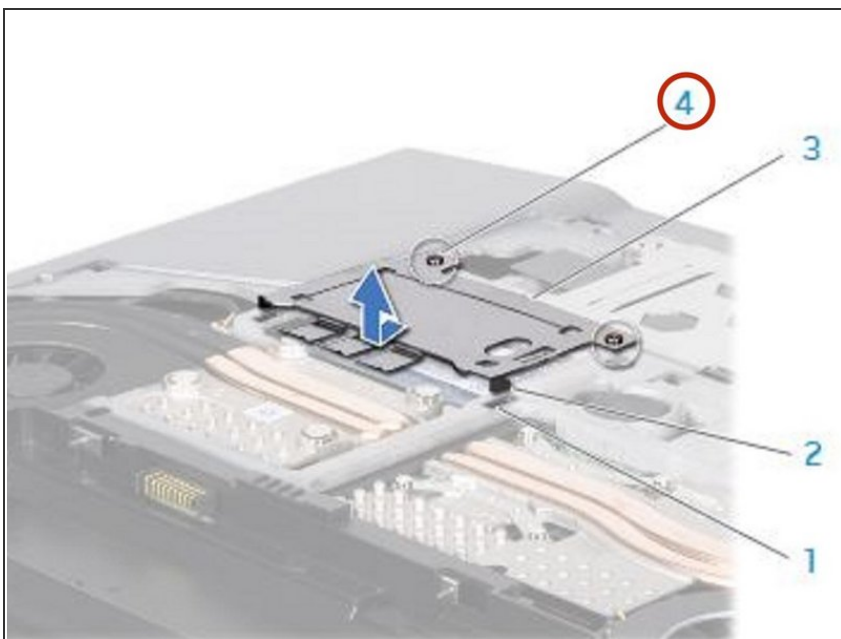


**⚠ CAUTION:** If the memory-module door is difficult to close, remove the memory module and reinstall it. Forcing the memory-module door to close may damage your computer.

**ⓘ NOTE:** If the memory module is not installed properly, the computer may not boot.

- Align and insert the memory-module door tabs into the slots on the computer base.

## Step 13 — Replacing and Tightening the Screws



- Replace and tighten the two captive screws that secure the memory-module door to the computer base.

To reassemble your device, follow these instructions in reverse order.

This document was last generated on 2019-07-28 03:06:29 PM.