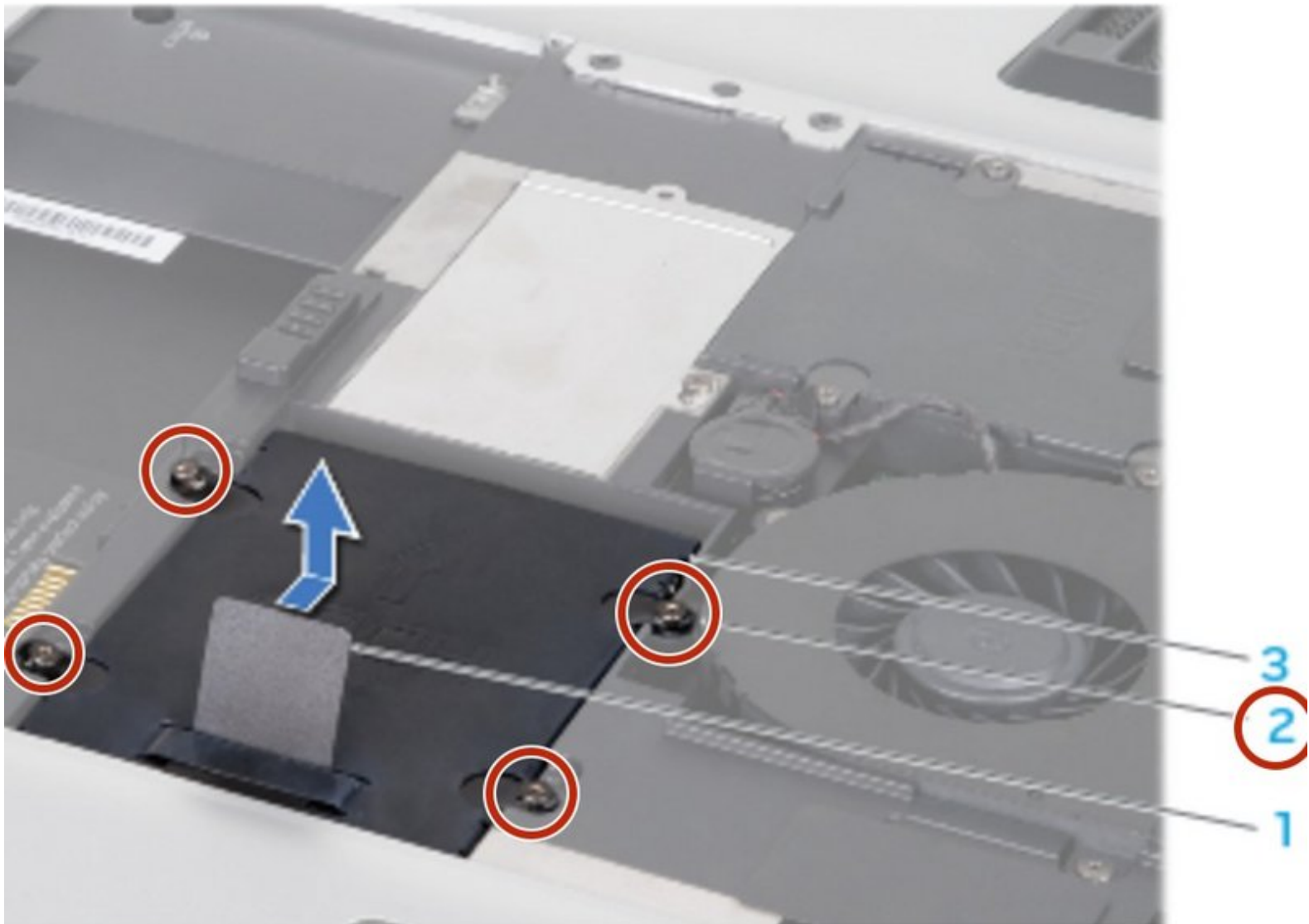




Dell Alienware M17x R2 Hard Drive Replacement

Written By: Terrence15



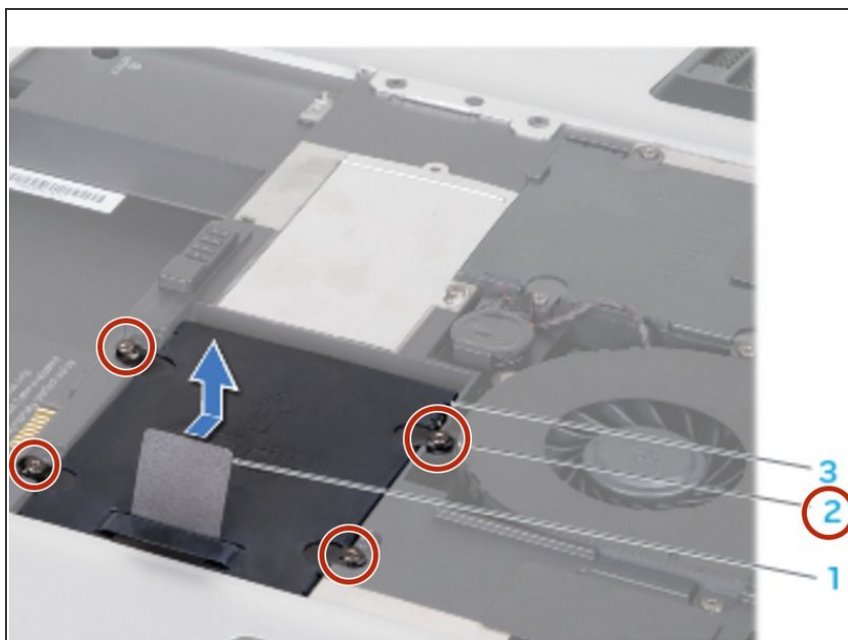
INTRODUCTION

In this guide, we will show you how to remove and replace the Hard Drive.

TOOLS:

- [Phillips #0 Screwdriver](#) (1)
-

Step 1 — Loosen the Four Screws



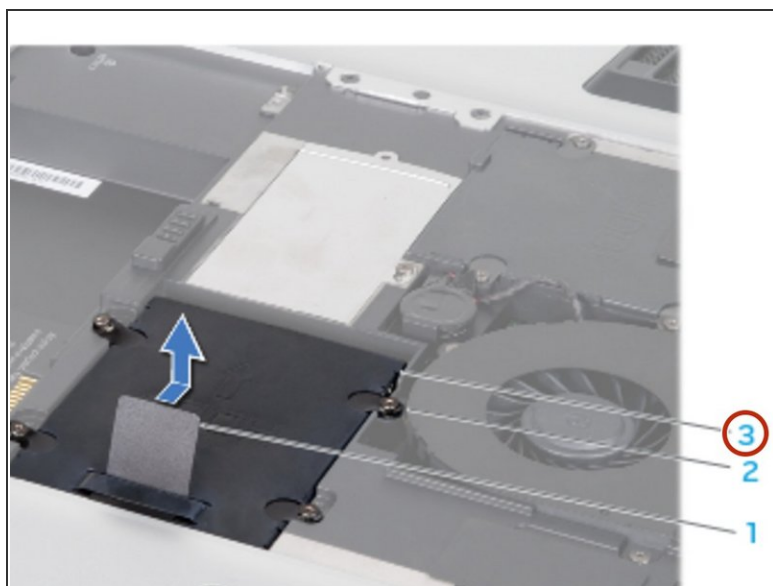
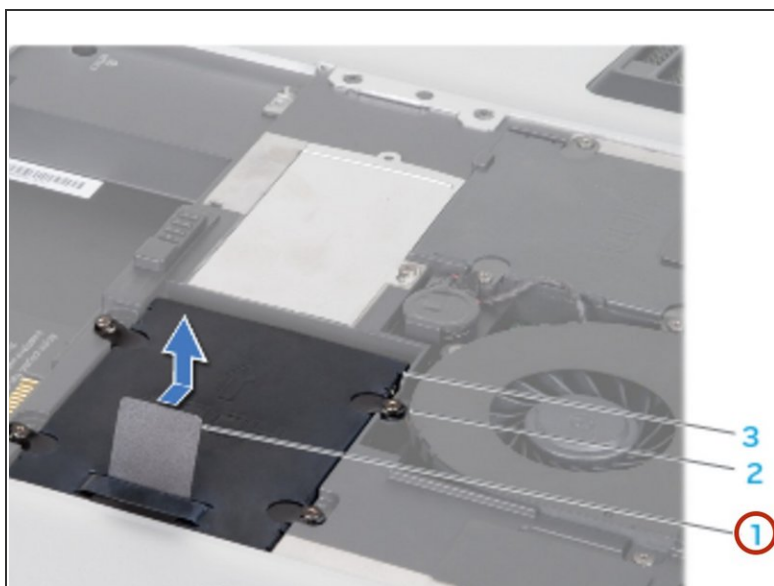
⚠ WARNING: Before working inside your computer, read the safety information that shipped with your computer.

⚠ WARNING: If you remove the hard drive from the computer when the drive is hot, do not touch the metal housing of the hard drive.

⚠ CAUTION: Hard drives are extremely fragile. Exercise care when handling the hard drive.

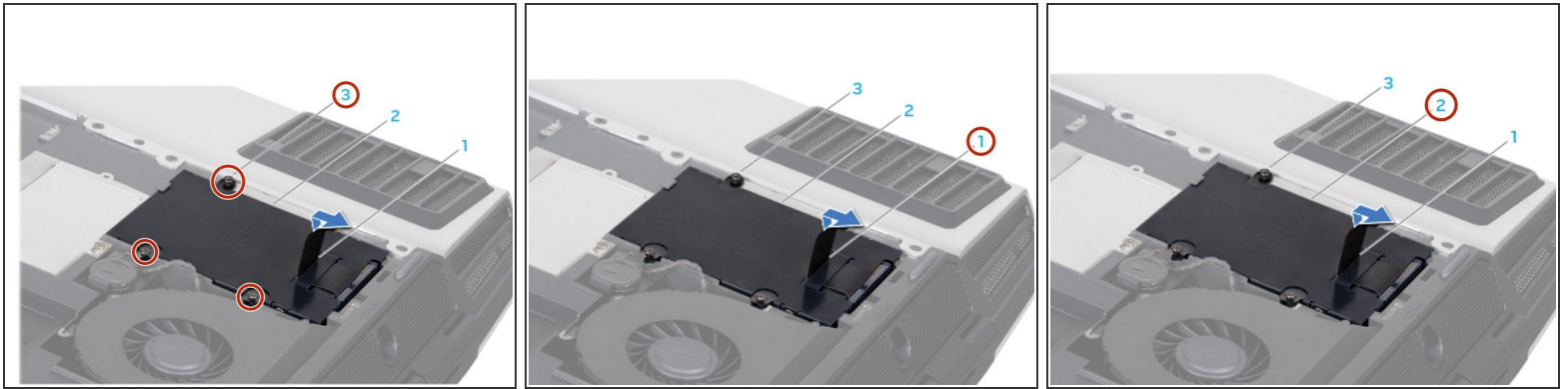
- Loosen the four captive screws that secure the primary hard drive (HDD0).

Step 2 — Sliding the Hard-Drive



- Using the pull tab, slide the primary hard drive (HDD0) towards the back of the hard drive bay and lift it out.

Step 3 — Removing Secondary Hard-Drive



- If your computer has a secondary hard drive (HDD1): **1.** Loosen the four captive screws on the secondary hard drive (HDD1). **2.** Using the pull tab, lift the secondary hard drive (HDD1) out of the hard drive bay.

Step 4 — Remove the Screws



- Remove the four screws that secure the hard drive bracket to the hard drive.

Step 5 — Sliding the Hard-Drive



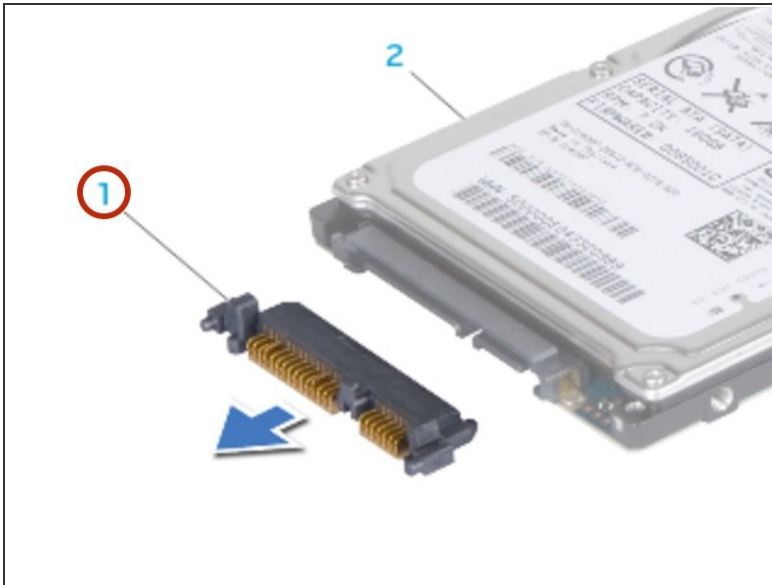
- Slide the hard drive out of the hard drive bracket.

Step 6 — Remove the Interposer



- Remove the interposer from the secondary hard drive (HDD1), if applicable.

Step 7 — Connecting the Interposer



- Connect the NEW interposer to the secondary hard drive (HDD1), if applicable.

Step 8 — Sliding the Hard-Drive



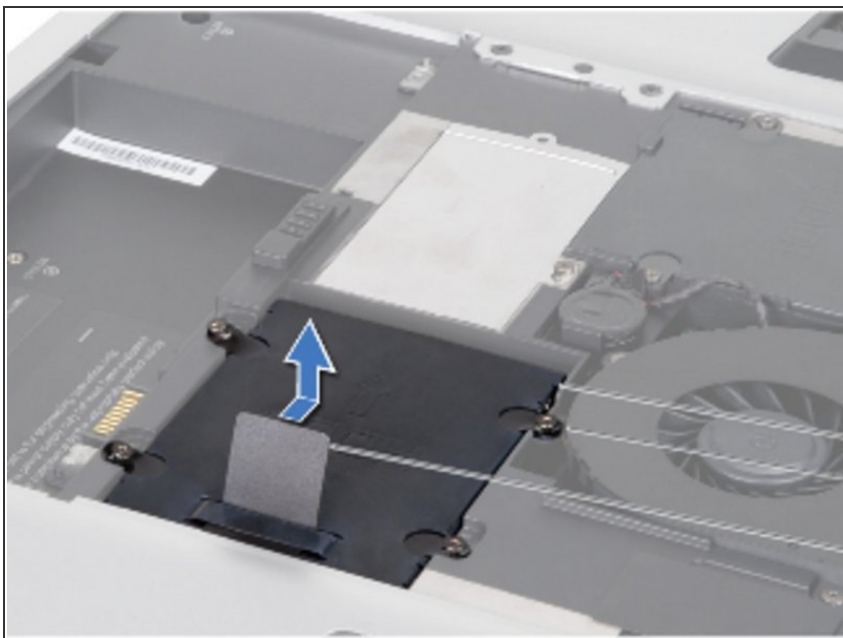
- Slide the hard drive into the hard drive bracket.

Step 9 — Replace the Screws



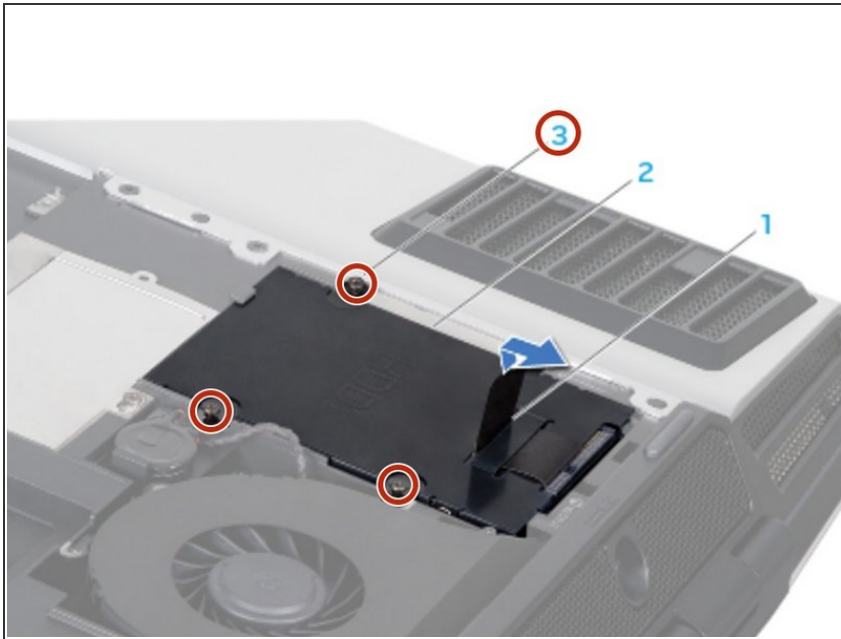
- Replace the four screws that secure the hard drive bracket to the hard drive.

Step 10 — Placing the Hard Drive



- Place the hard drive in the hard drive bay.

Step 11 — Align and Tighten the Screws



- If your computer has a secondary hard drive (HDD1), align and tighten the four captive screws that secure the hard drive to the hard drive bay.
- Align and and tighten the four captive screws that secure the primary hard drive (HDD0) to the hard drive bay.

To reassemble your device, follow these instructions in reverse order.

This document was last generated on 2019-07-13 06:10:29 AM.