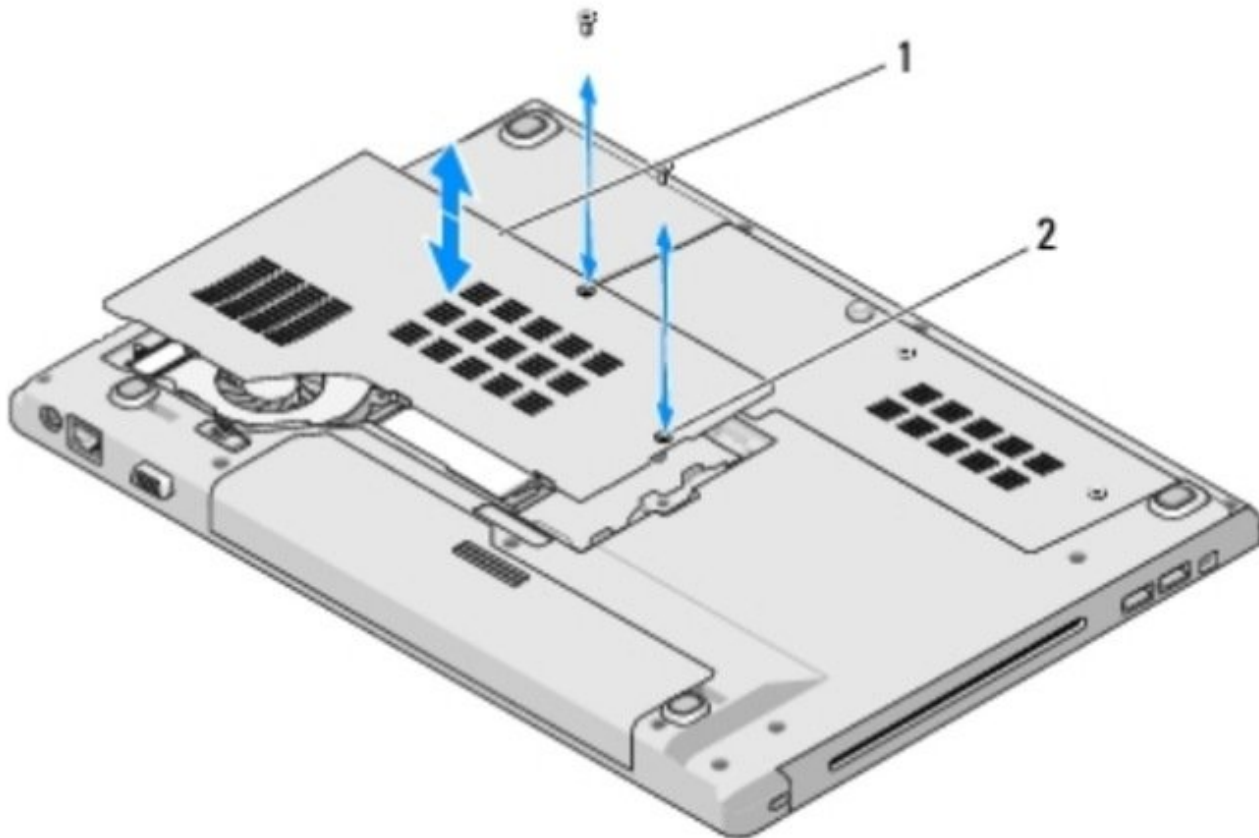




Dell Vostro 2510 Memory Module Replacement

Written By: Johnathan Hammond



INTRODUCTION

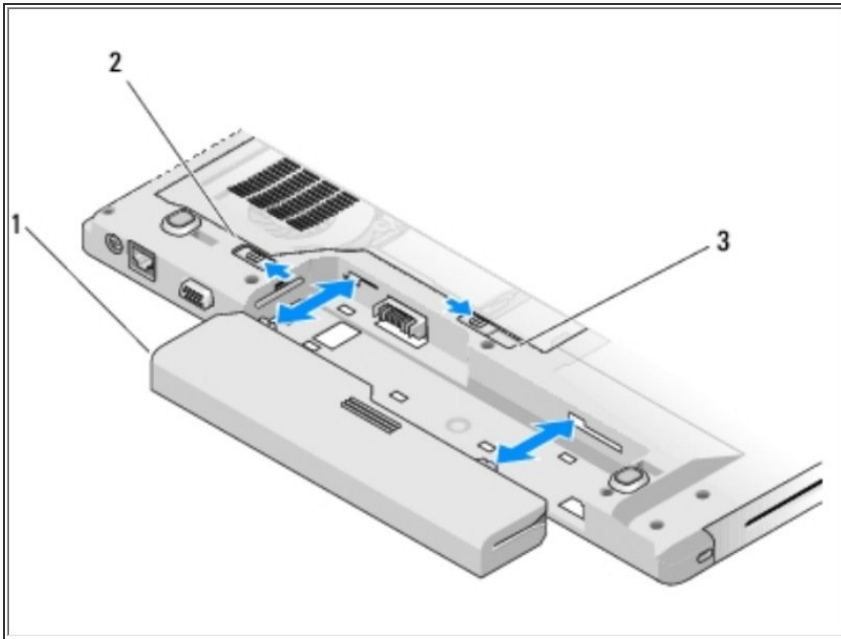
In this guide, we will show you how to remove and replace the Memory Module.



TOOLS:

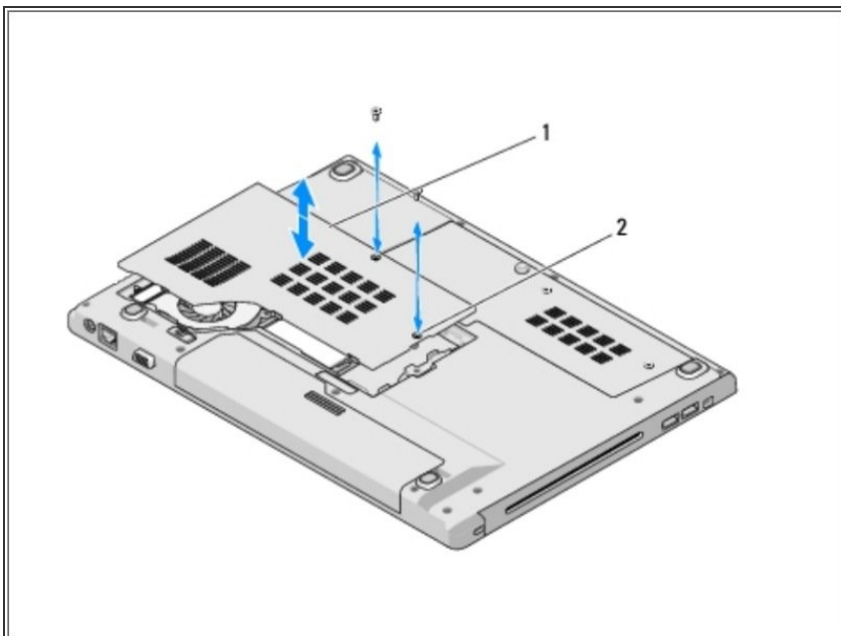
- [Phillips #0 Screwdriver](#) (1)
-

Step 1 — Removing the Battery



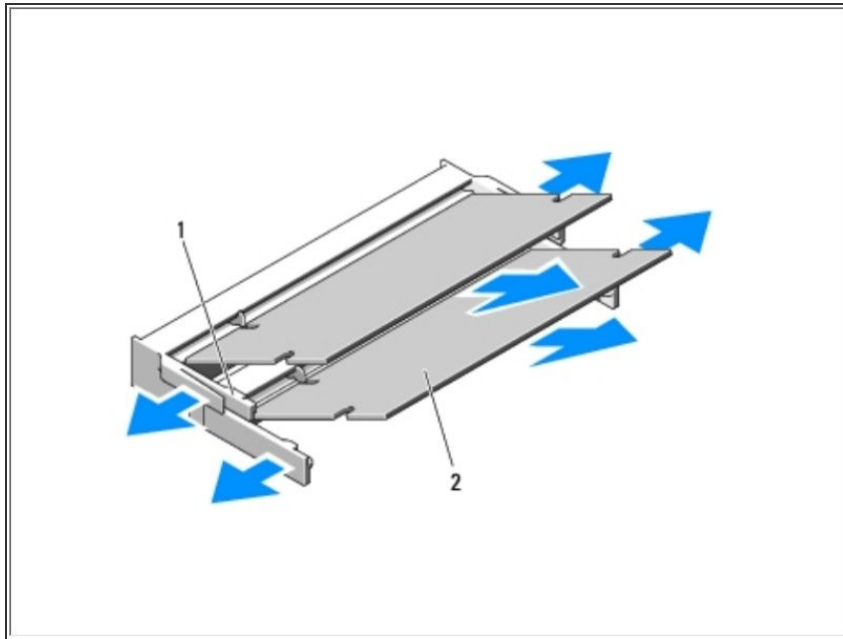
- Slide the battery lock to the open position.
- Slide the battery release latch to the open position.
- Slide the battery out of the battery bay.

Step 2 — Remove the Screws



- Remove the two screws that secure the memory cover, then remove the cover and set it aside.

Step 3 — Removing the Memory Module



- Use your fingertips to carefully spread apart the securing clips on each end of the memory module connector until the memory module pops up.
- Remove the memory module from the connector.

This document was last generated on 2019-07-18 06:39:37 PM.