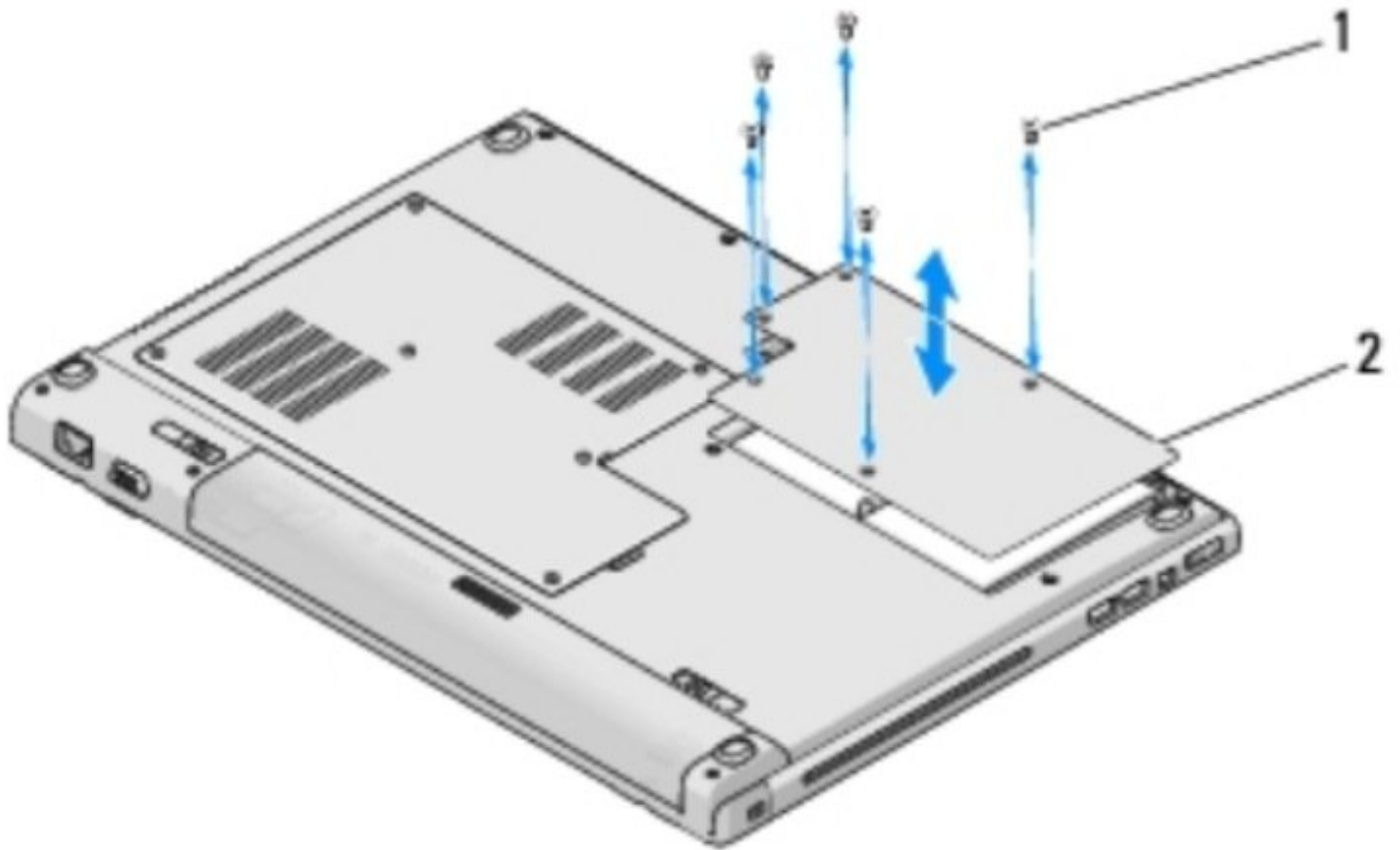




# Dell Vostro 1710 Hard Drive Replacement

Written By: Johnathan Hammond



---

## INTRODUCTION

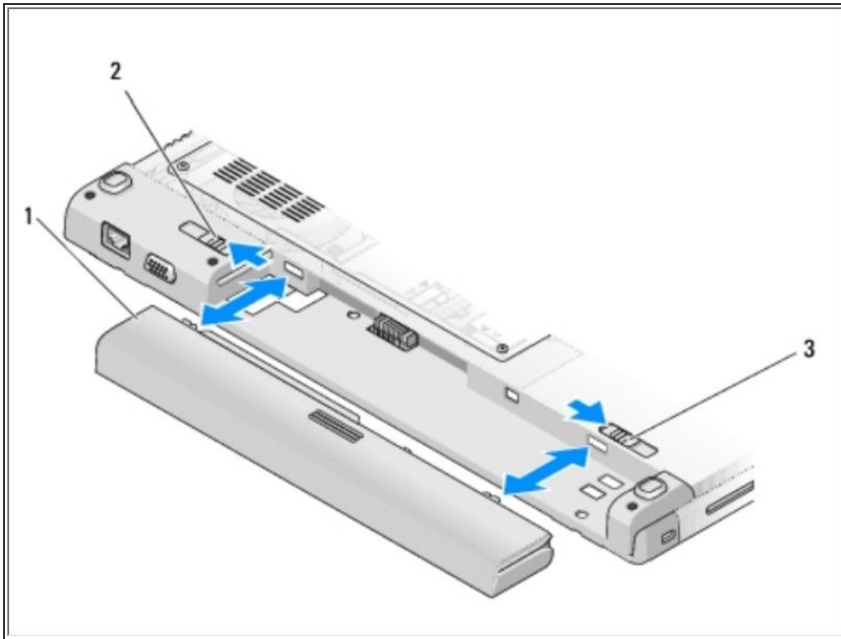
In this guide, we will be showing you how to remove and replace the Hard Drive.

---

### TOOLS:

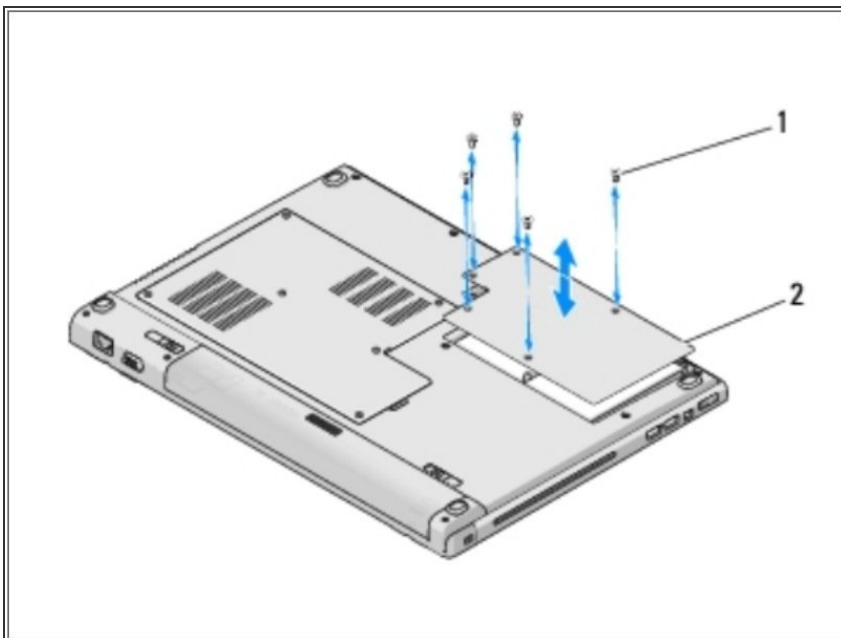
- [Phillips #0 Screwdriver](#) (1)
-

## Step 1 — Removing the Battery



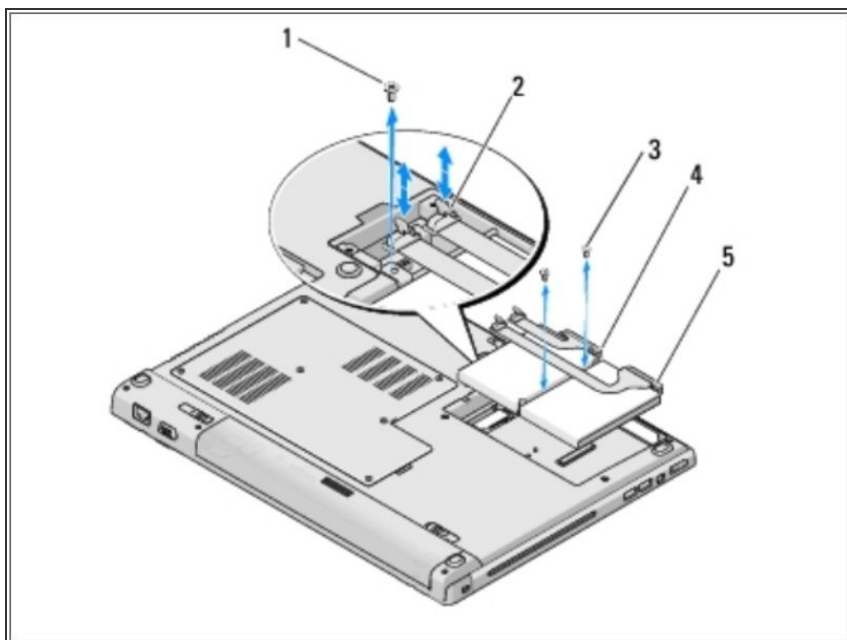
- Slide both battery latches to the open position.
- Slide the battery out of the battery bay.

## Step 2 — Loosen the Screws



- Loosen the five screws that secure the hard-drive compartment cover.
- Remove the cover and set it aside.

### Step 3 — Removing the Hard Drive Cable



- Remove the three screws that secure the hard drive to the computer.
- ⓘ One screw is attached to a metal tab on the metal base of the hard drive, and the other two screws are attached to the metal base.
- Disconnect the hard drive cable connector from the motherboard.
- Pull the mylar tab to release the hard drive.
- Lift the hard drive and the hard drive cable out of the computer. You may find it easier to lift the hard drive starting from the side located opposite from the hard drive's connection to the hard drive cable.