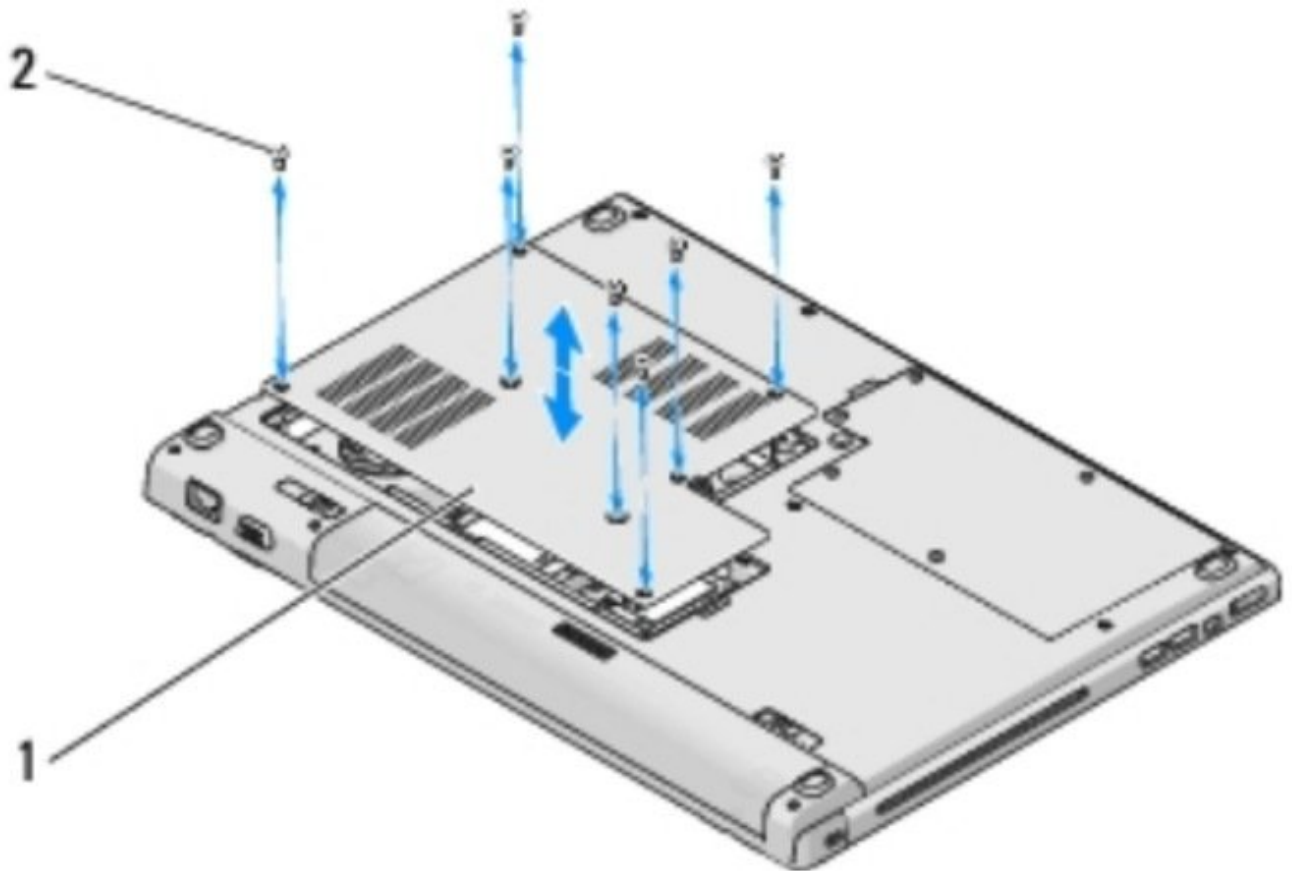




Dell Vostro 1710 Memory Module Replacement

Written By: Johnathan Hammond



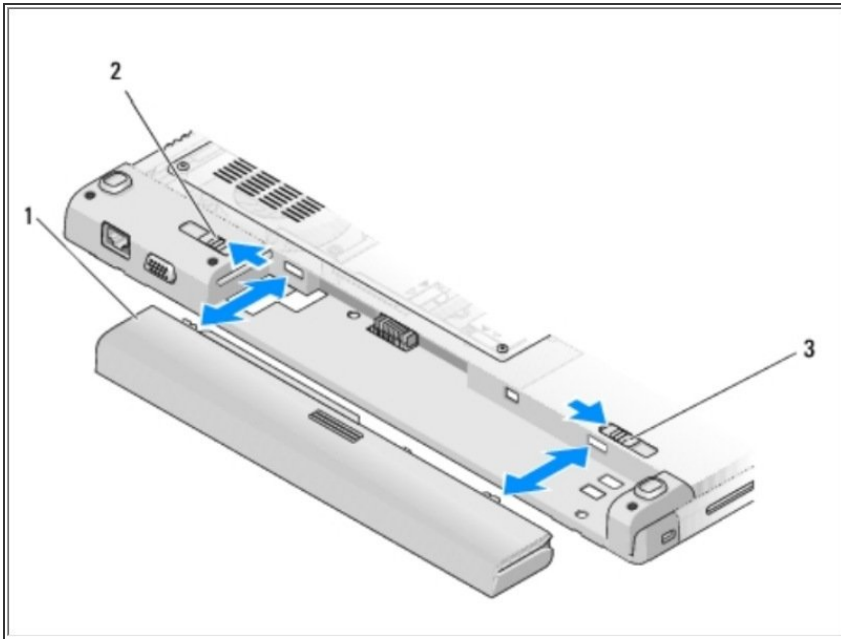
INTRODUCTION

In this guide, we will show you how to remove and replace the Memory Module.

TOOLS:

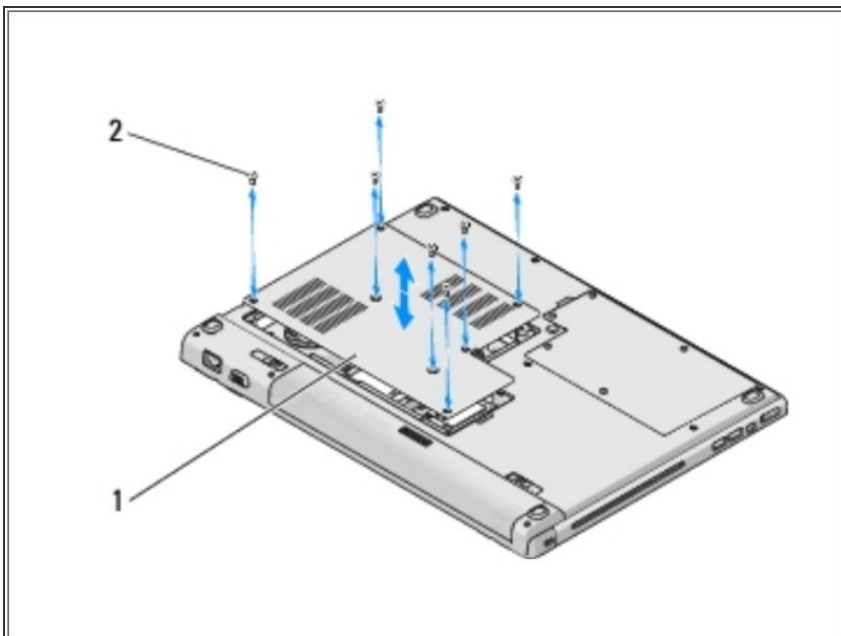
- [Phillips #0 Screwdriver](#) (1)
-

Step 1 — Removing the Battery



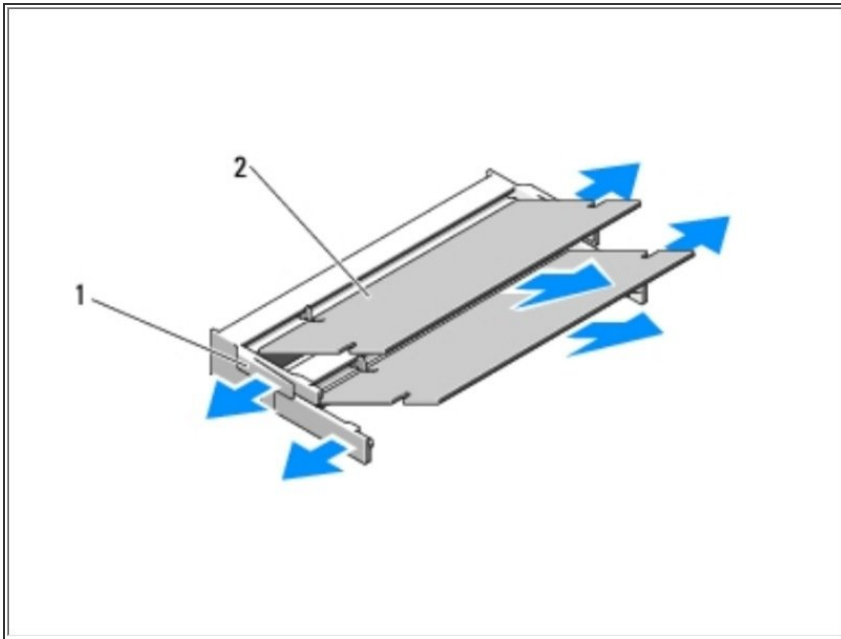
- Slide both battery latches to the open position.
- Slide the battery out of the battery bay.

Step 2 — Remove the Cover



- Loosen the eight screws that secure the memory cover.
- Remove the memory cover and set it aside.

Step 3 — Remove the Memory Module



- Use your fingertips to carefully spread apart the securing clips on each end of the memory module connector until the memory module pops up.
- Remove the memory module from the connector.