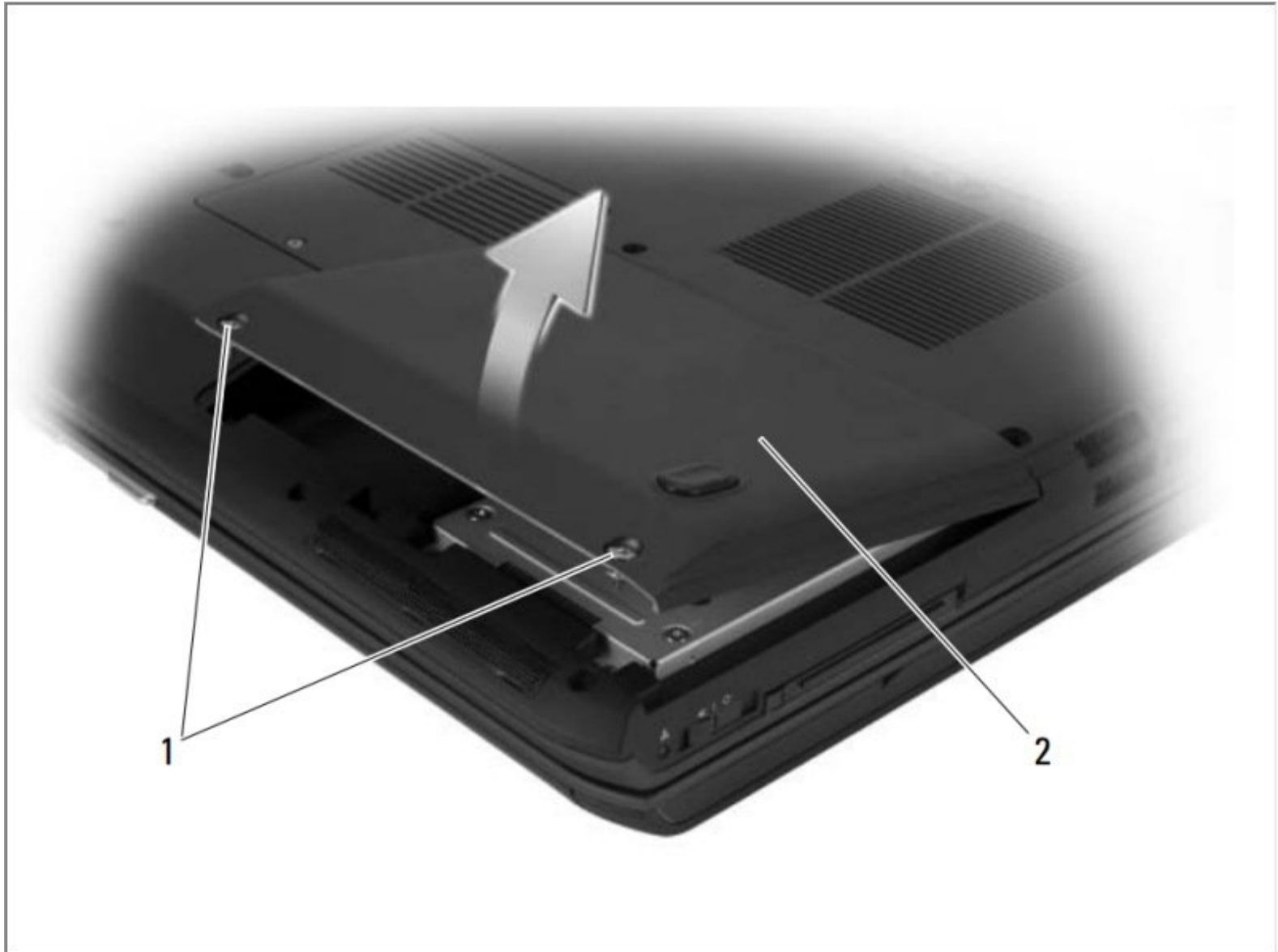




# Dell Vostro 1700 Hard Drive Replacement

Written By: Johnathan Hammond



---

## INTRODUCTION

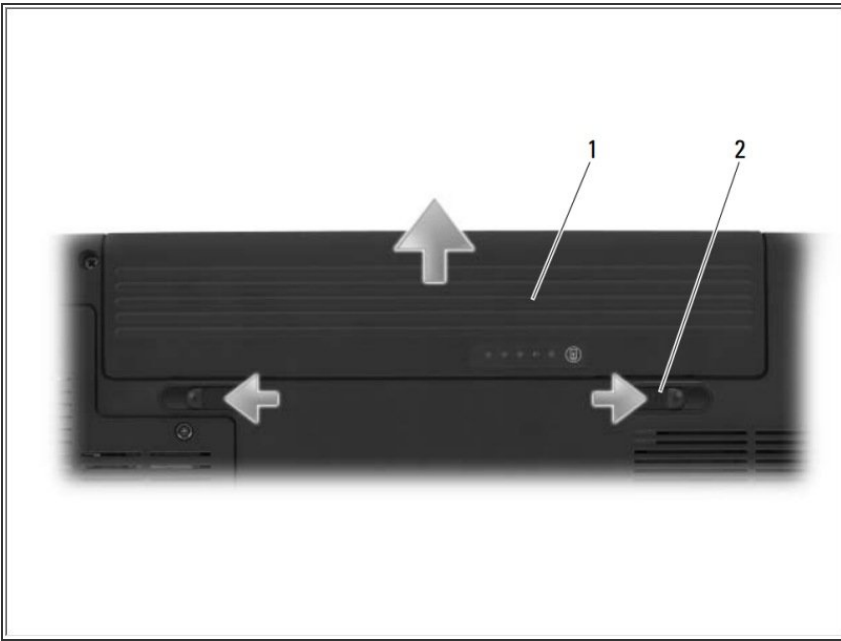
In this guide, we will be showing you how to remove and replace the Hard Drive.

---

### TOOLS:

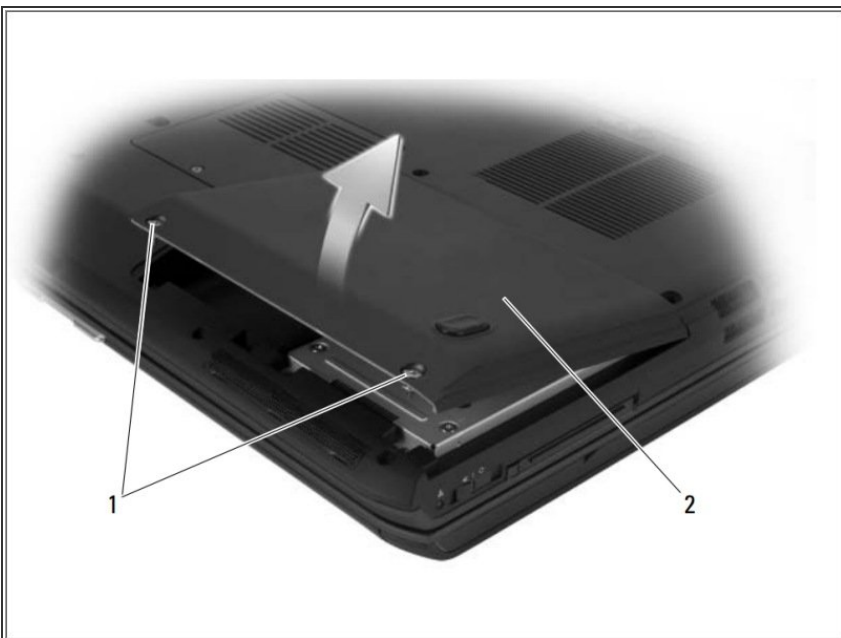
- [Phillips #0 Screwdriver](#) (1)
-

## Step 1 — Removing the Battery



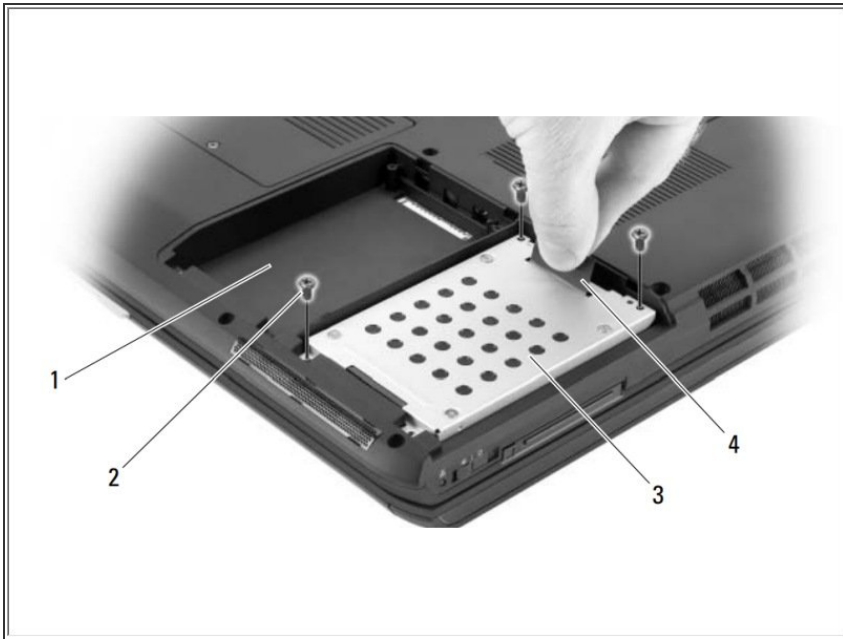
- Slide and click the battery release latches to keep them open.
- Slide the battery out of the bay.

## Step 2 — Loosen the Screws



- Loosen the two captive screws and remove the hard-drive bay cover.

### Step 3 — Pull the Hard Drive



- Using the pull-tab on the hard drive, pull the hard drive out of the hard drive bay.

This document was last generated on 2019-07-08 04:41:15 PM.