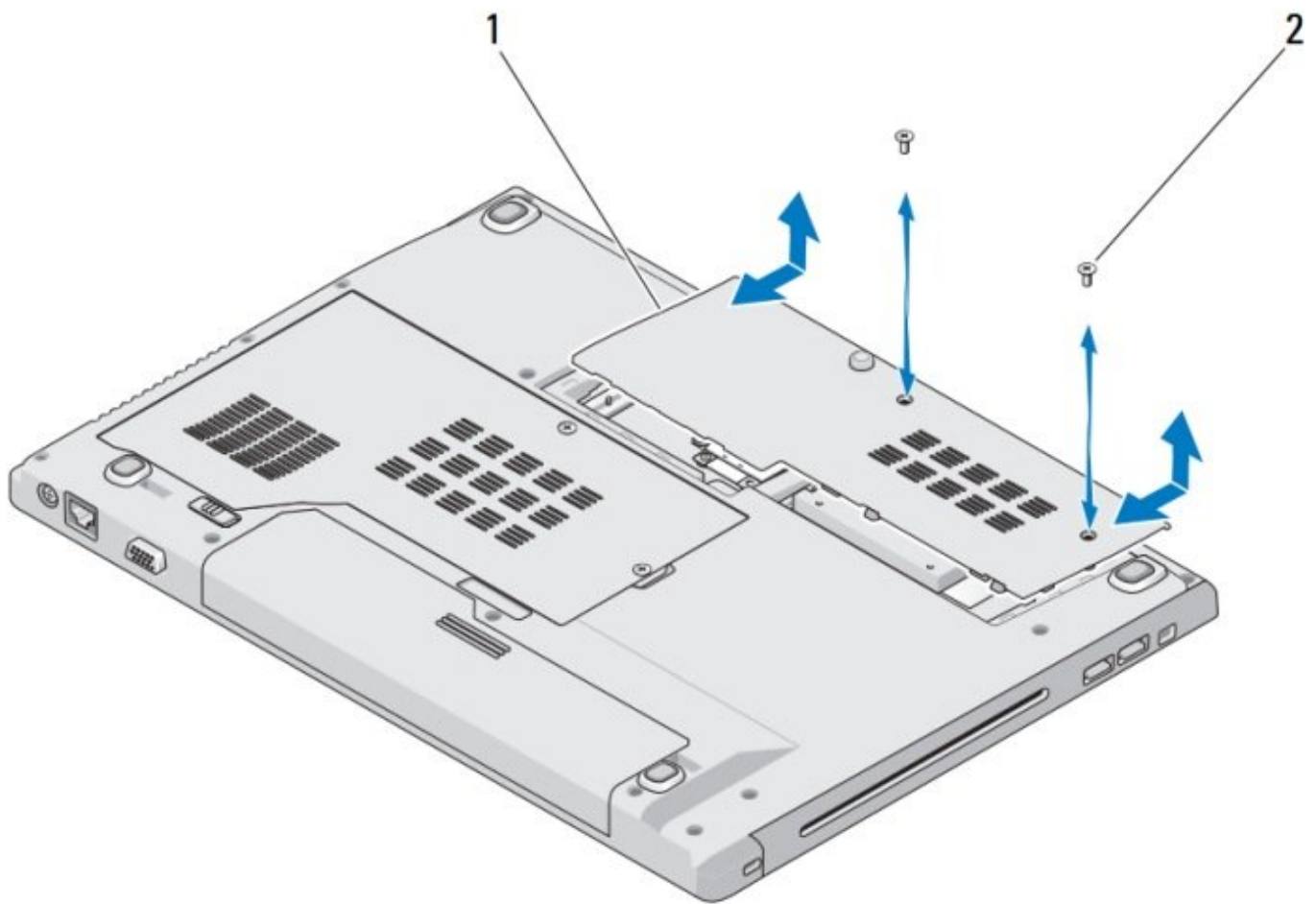




Dell Vostro 1510 Hard Drive Replacement

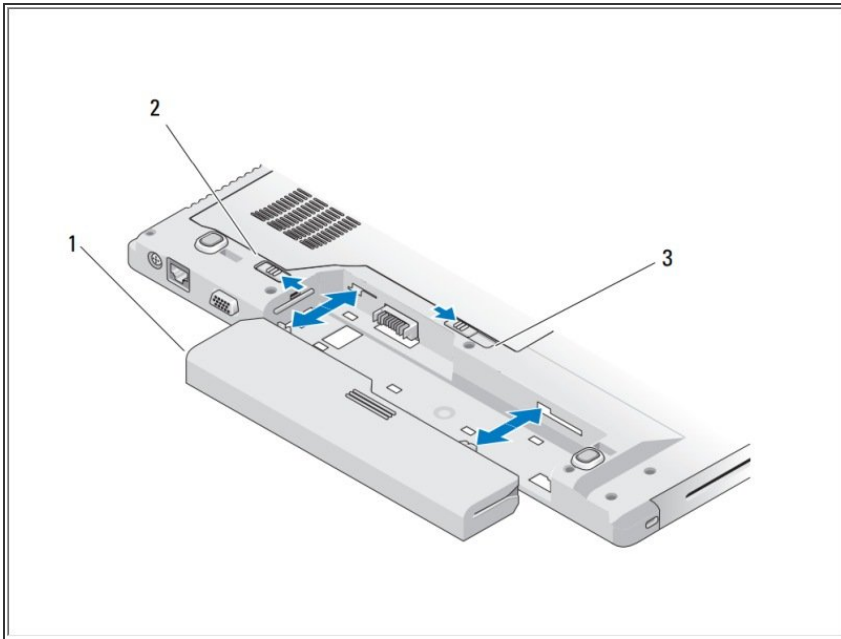
Written By: Johnathan Hammond



 **TOOLS:**

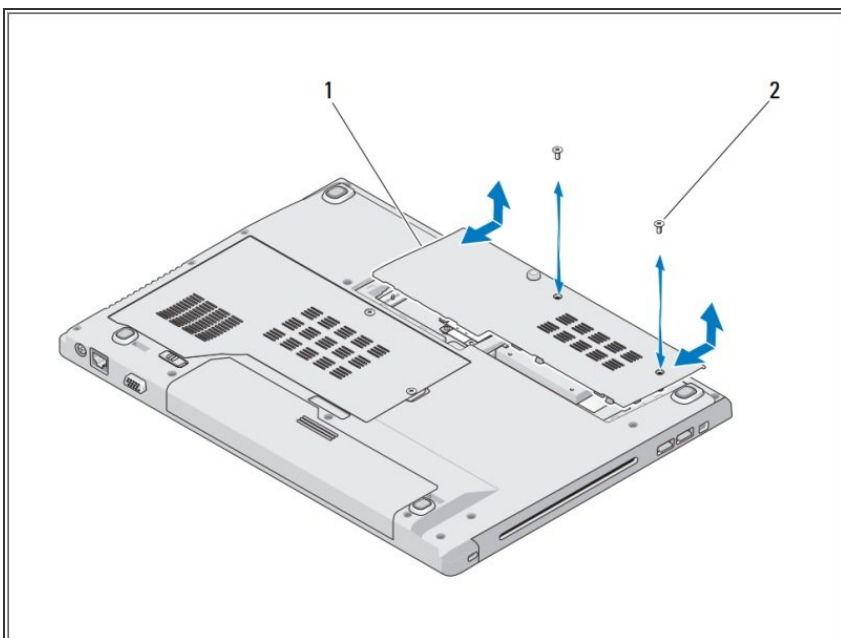
- [Phillips #0 Screwdriver](#) (1)
-

Step 1 — Battery



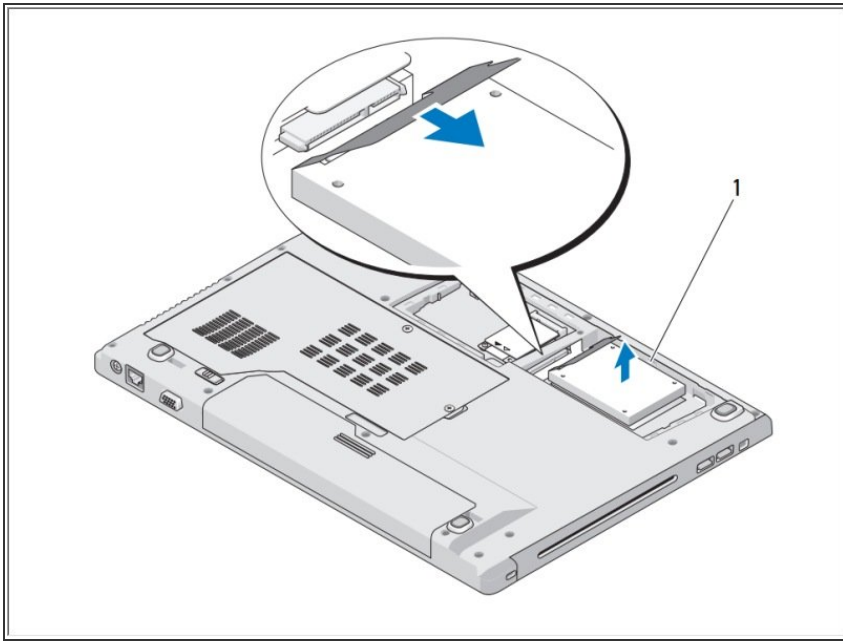
- Slide the battery lock to the open position. {2}
- Slide the battery release latch to the open position. (You may need to hold the battery release latch in the open position while removing the battery.) {3}
- Slide the battery out of the battery bay. {1}

Step 2 — Hard Drive



- Remove the two M2.5 x 8-mm screws that secure the hard-drive compartment cover. {2}
- Remove the cover and set it aside. {1}

Step 3



- Remove the three screws securing the hard drive.
- Pull the plastic tab to release the hard drive.
 - Lift the hard drive out of the computer.
- Remove the two screws securing the hard drive to the hard drive bracket.
- Slide the hard drive out of the bracket.

To reassemble your device, follow these instructions in reverse order.

This document was last generated on 2019-08-22 11:28:59 AM.