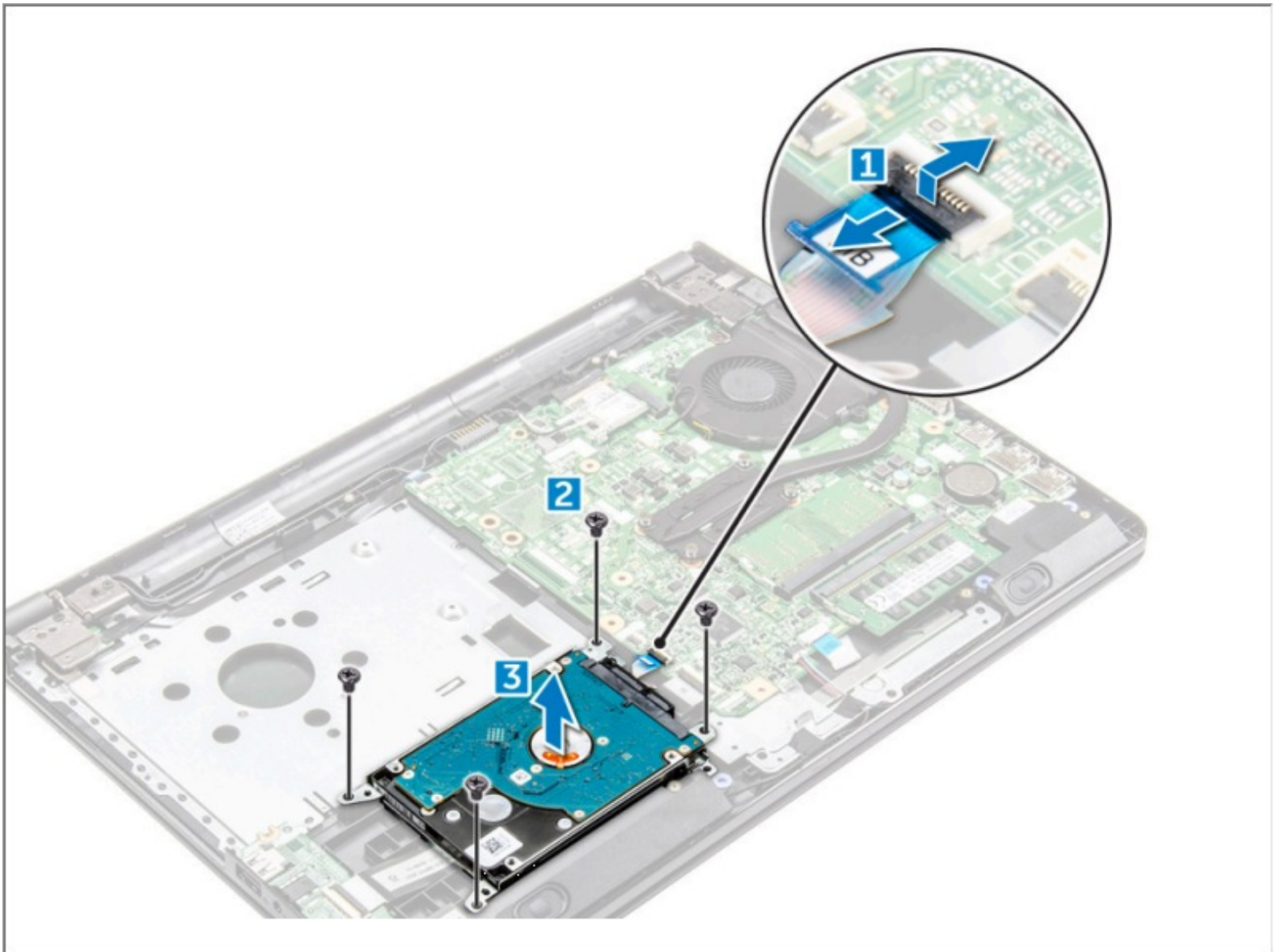




# Dell Vostro 15 3568 Hard Drive Replacement

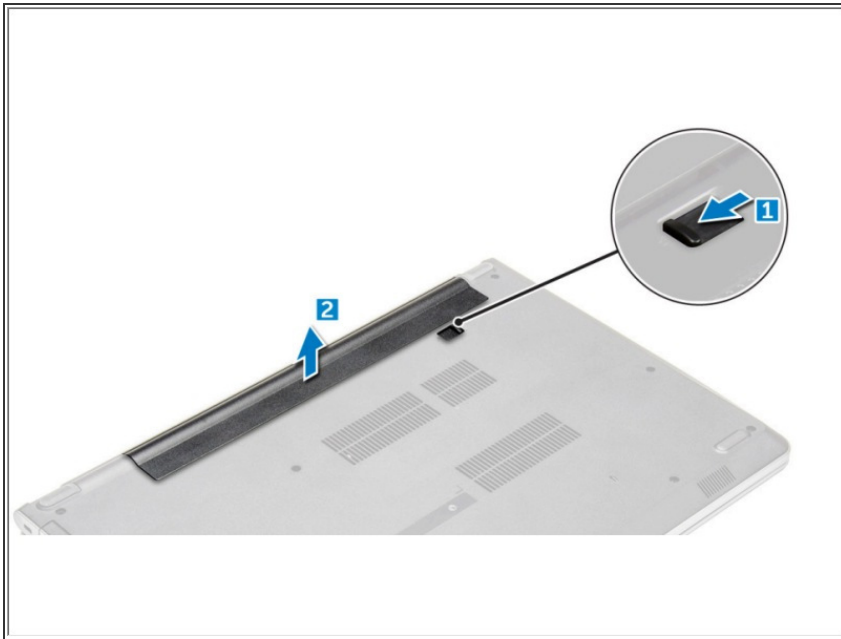
Written By: Johnathan Hammond



 **TOOLS:**

- [Spudger](#) (1)
  - [Phillips #0 Screwdriver](#) (1)
-

## Step 1 — Battery



- Slide the release latch to release the battery [1].
- Remove the battery from the computer [2].

## Step 2 — KeyBoard



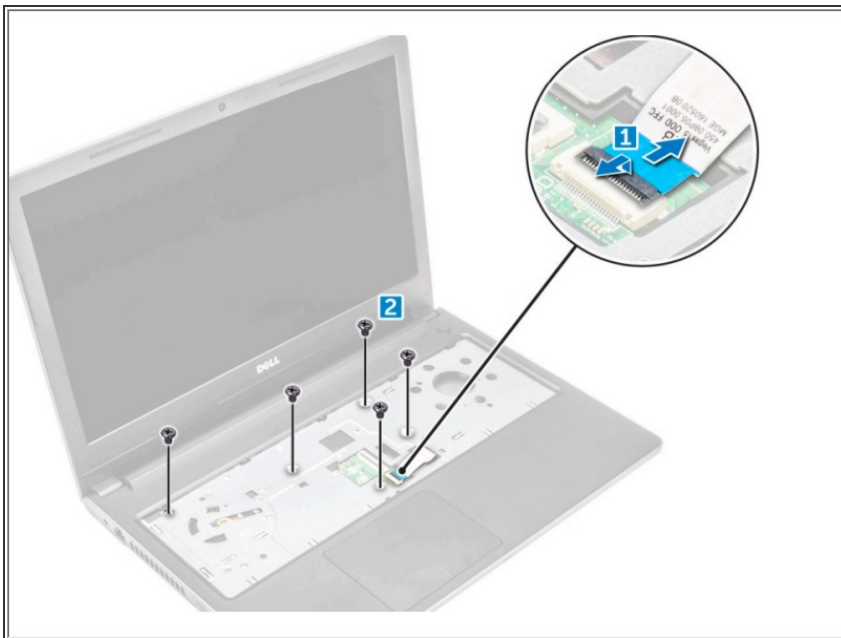
- Release the keyboard by prying on the keyboard release tabs using a plastic scribe [1].
- Slide and lift the keyboard to access the keyboard connector cable under the keyboard [2].

### Step 3



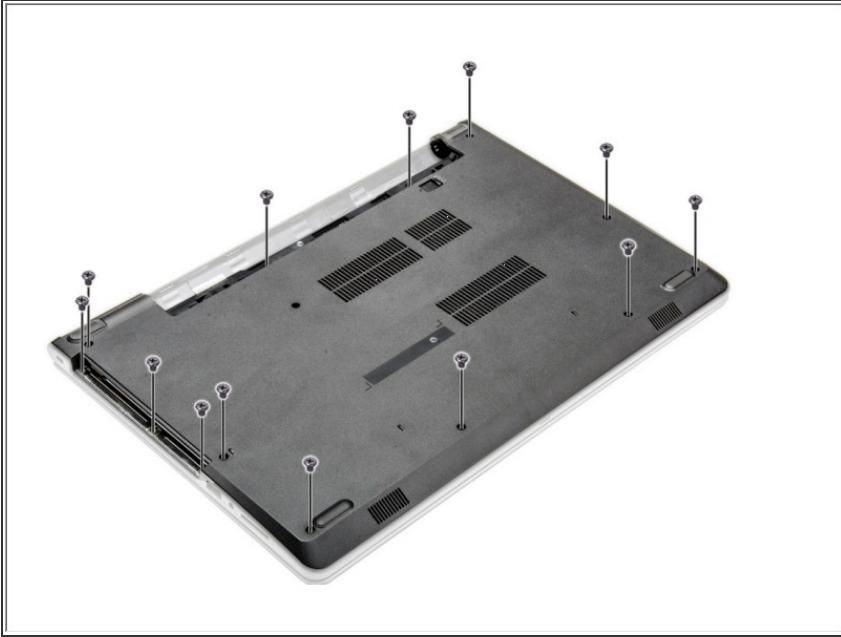
- Disconnect the keyboard cable from the system board.
- Lift the keyboard cable to remove it from the computer.

### Step 4 — Base Cover



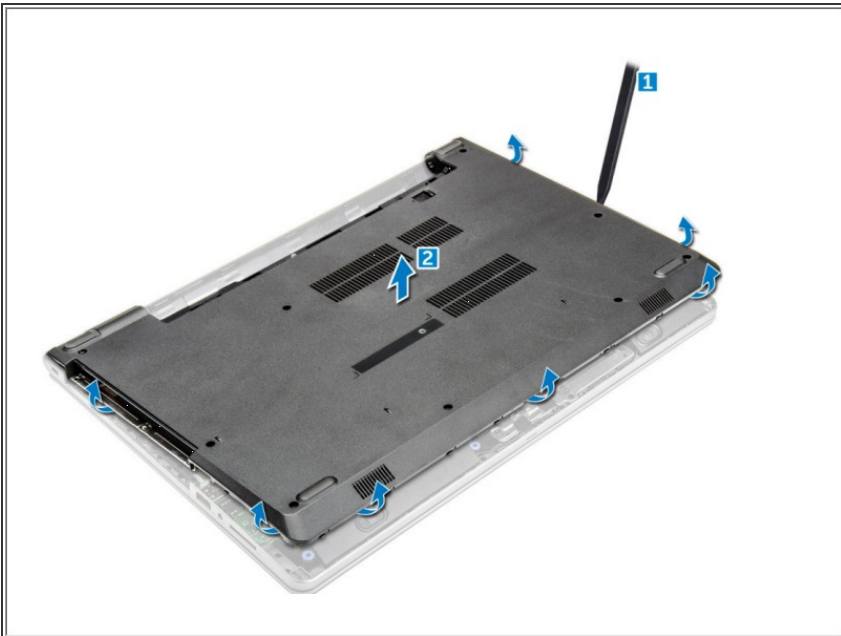
- Disconnect the optical drive connector and lift it to remove it from the system board [1].
- Remove the screws inside the palmrest [2].

## Step 5



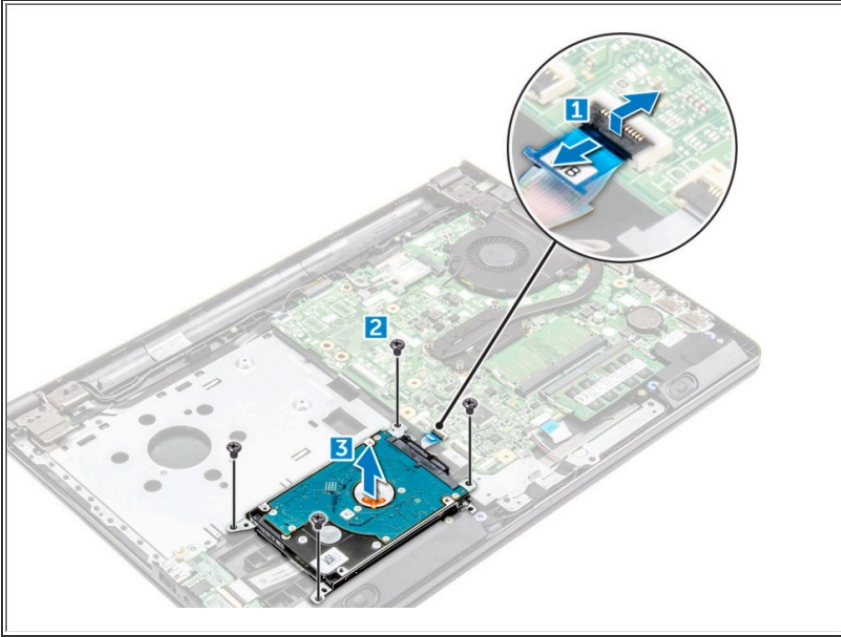
- Remove the screws that secure the base cover to the computer

## Step 6



- Pry the edges of the base cover [1].
- Lift the base cover and remove it from the computer [2].

## Step 7 — Hard Drive



- Disconnect the hard drive cable from the connector on the system board [1].
- Remove the screws that secure the hard drive assembly to the computer [2].
- Lift the hard drive assembly away from the computer [3].

To reassemble your device, follow these instructions in reverse order.

This document was last generated on 2018-05-10 02:54:17 PM.