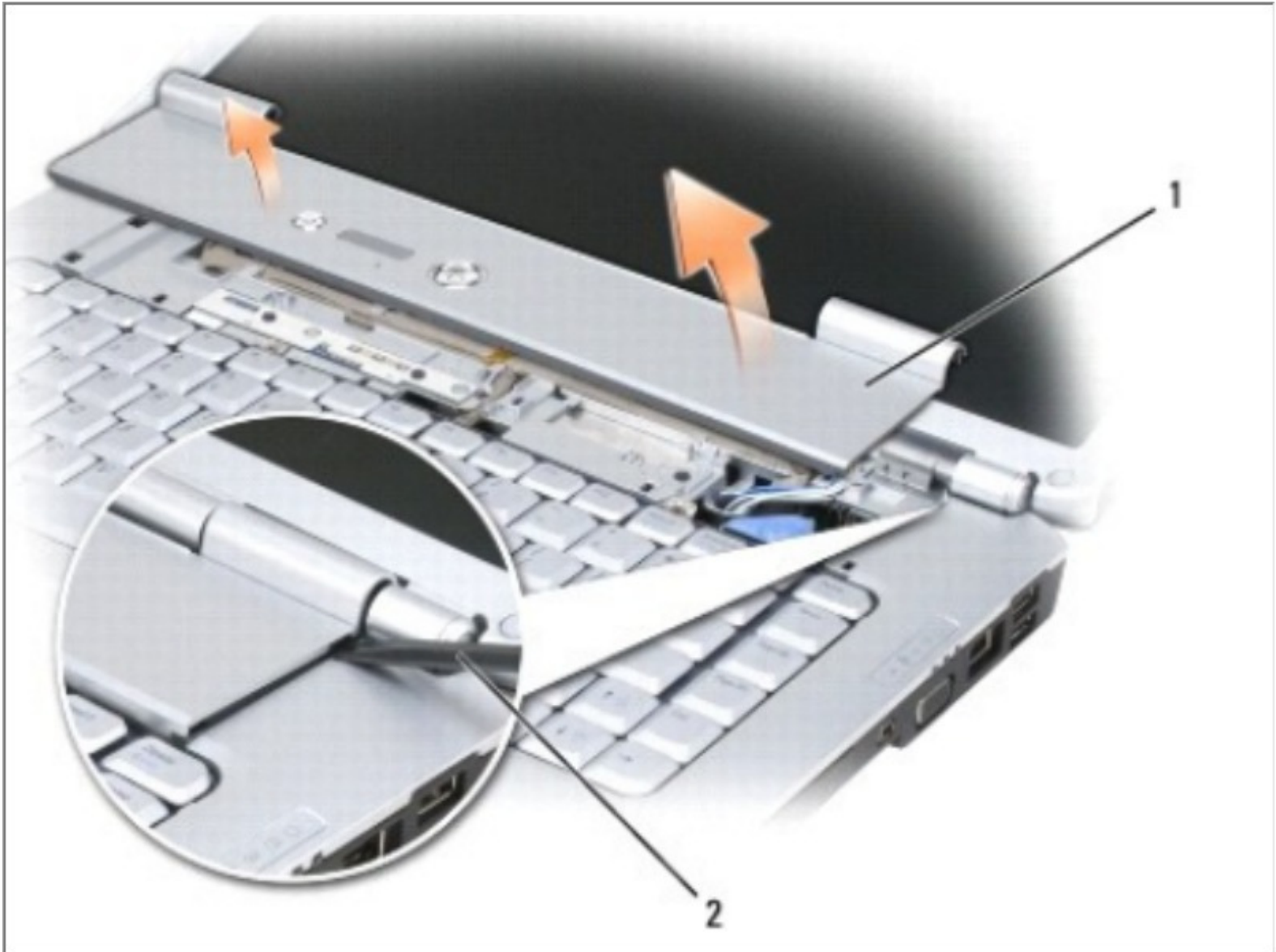




Dell Vostro 15 Hinge Cover Replacement

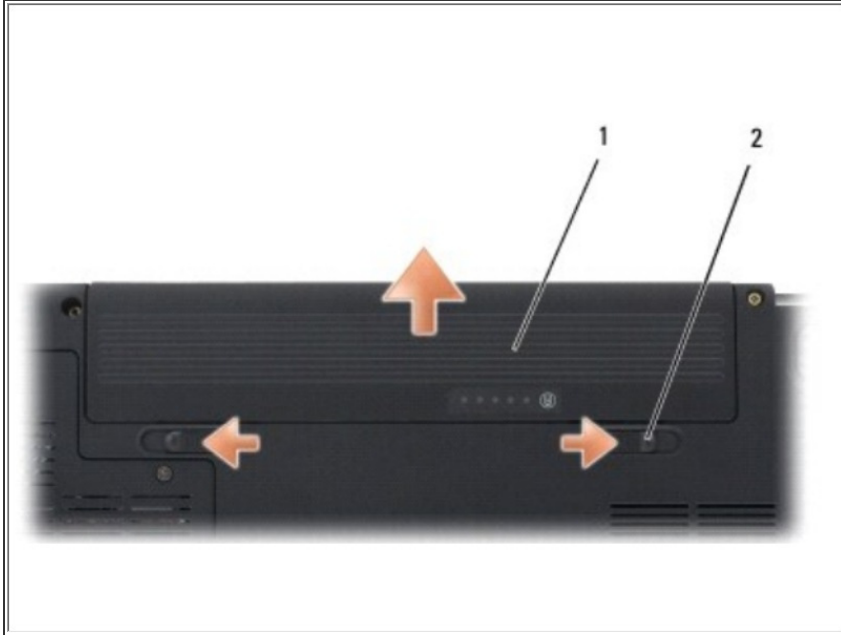
Written By: Johnathan Hammond



 **TOOLS:**

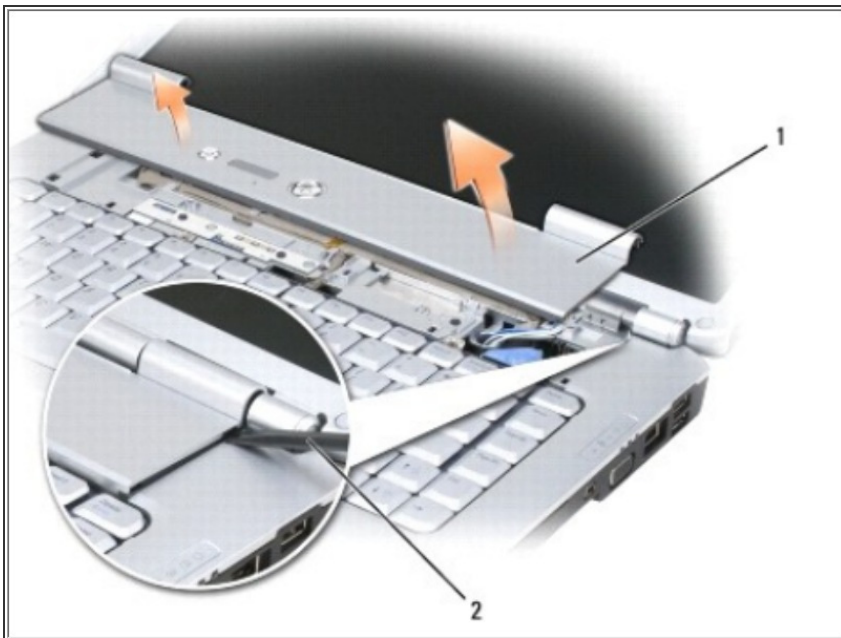
- [Spudger](#) (1)
-

Step 1 — Battery



- Slide the battery release latches until they click into place.
- Slide the battery out of the battery bay.

Step 2 — Hinge Cover



- Open the display all the way so that it rests flat on your work surface.
- ⓘ NOTICE: To avoid damage to the hinge cover, do not lift the cover on both sides simultaneously.
- Insert a plastic scribe into the indent to lift the hinge cover on the right side.
- Moving from right to left, ease the hinge cover up, then remove it and set it aside.

To reassemble your device, follow these instructions in reverse order.