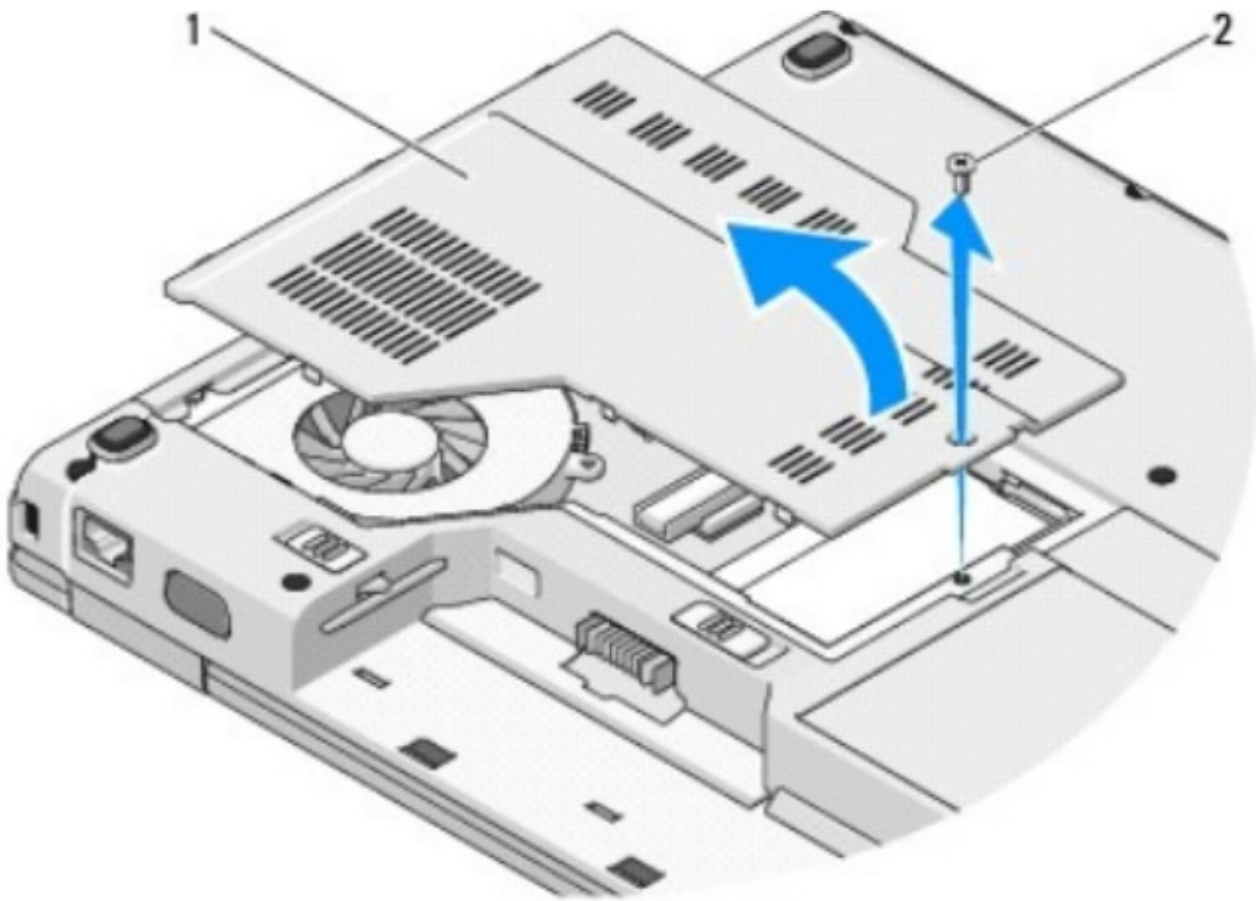




# Dell Vostro 1310 Memory Module Replacement

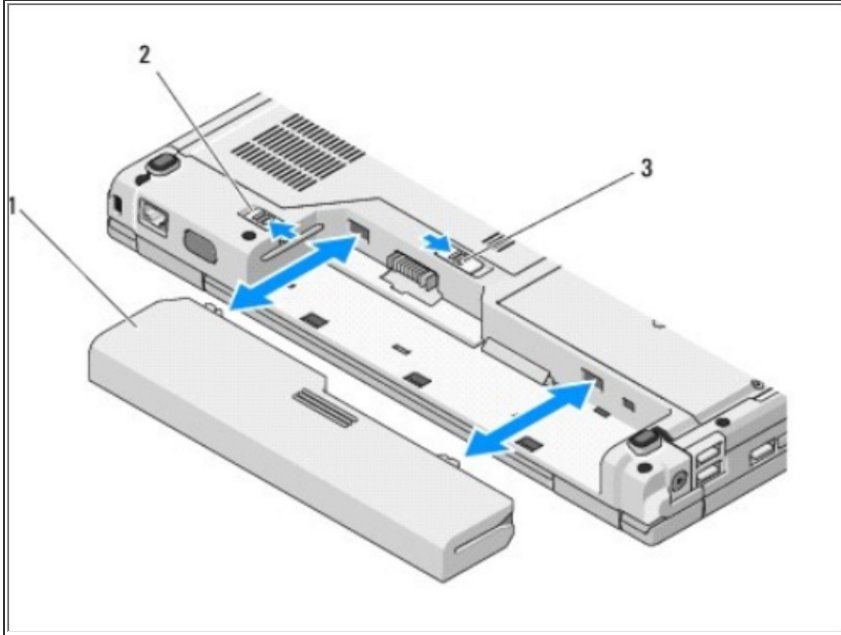
Written By: Johnathan Hammond



 **TOOLS:**

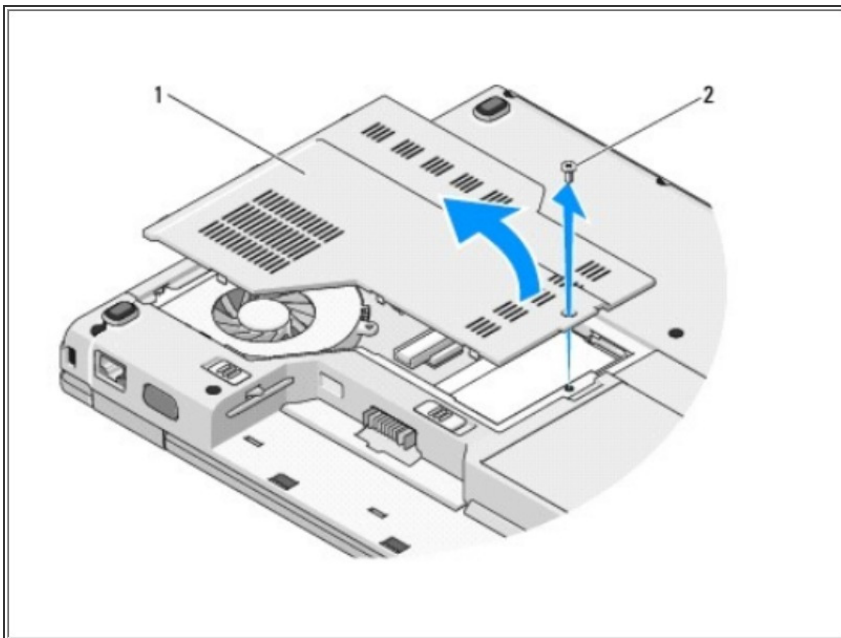
- [Phillips #0 Screwdriver](#) (1)
-

## Step 1 — Battery



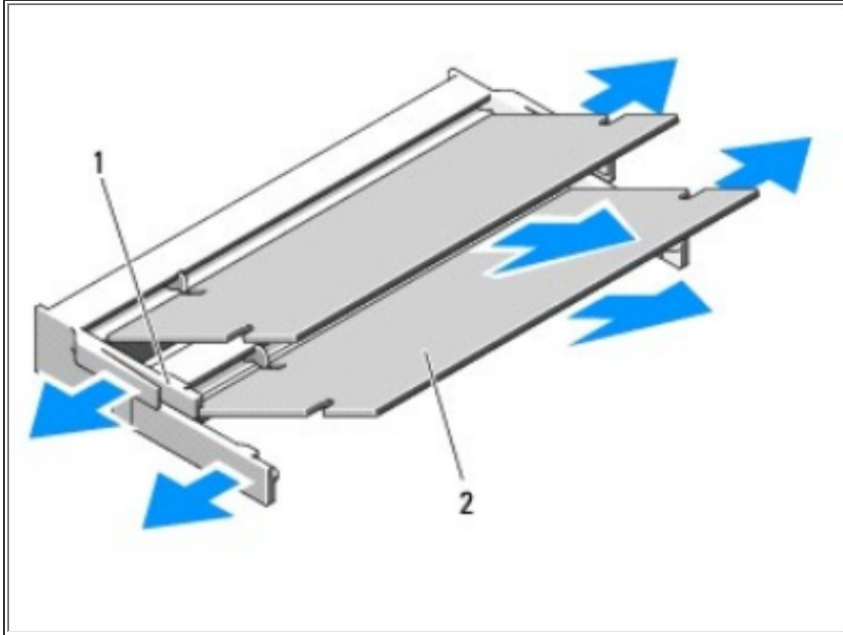
- Slide the battery lock to the open position. {2}
- Slide the battery latch release to the open position. (You may need to hold the latch release in the open position while removing the battery.){3}
- Slide the battery out of the battery bay. {1}

## Step 2 — Memory Module



- Remove the M2.5 x 5-mm screw that secures the memory cover, and remove the cover and set it aside.

## Step 3



**(i) NOTICE:** To prevent damage to the memory module connector, do not use tools to spread the memory module securing clips.

- Use your fingertips to carefully spread apart the securing clips on each end of the memory module connector until the memory module pops up.
- Remove the memory module from the connector.

To reassemble your device, follow these instructions in reverse order.

This document was last generated on 2018-05-17 10:48:29 PM.