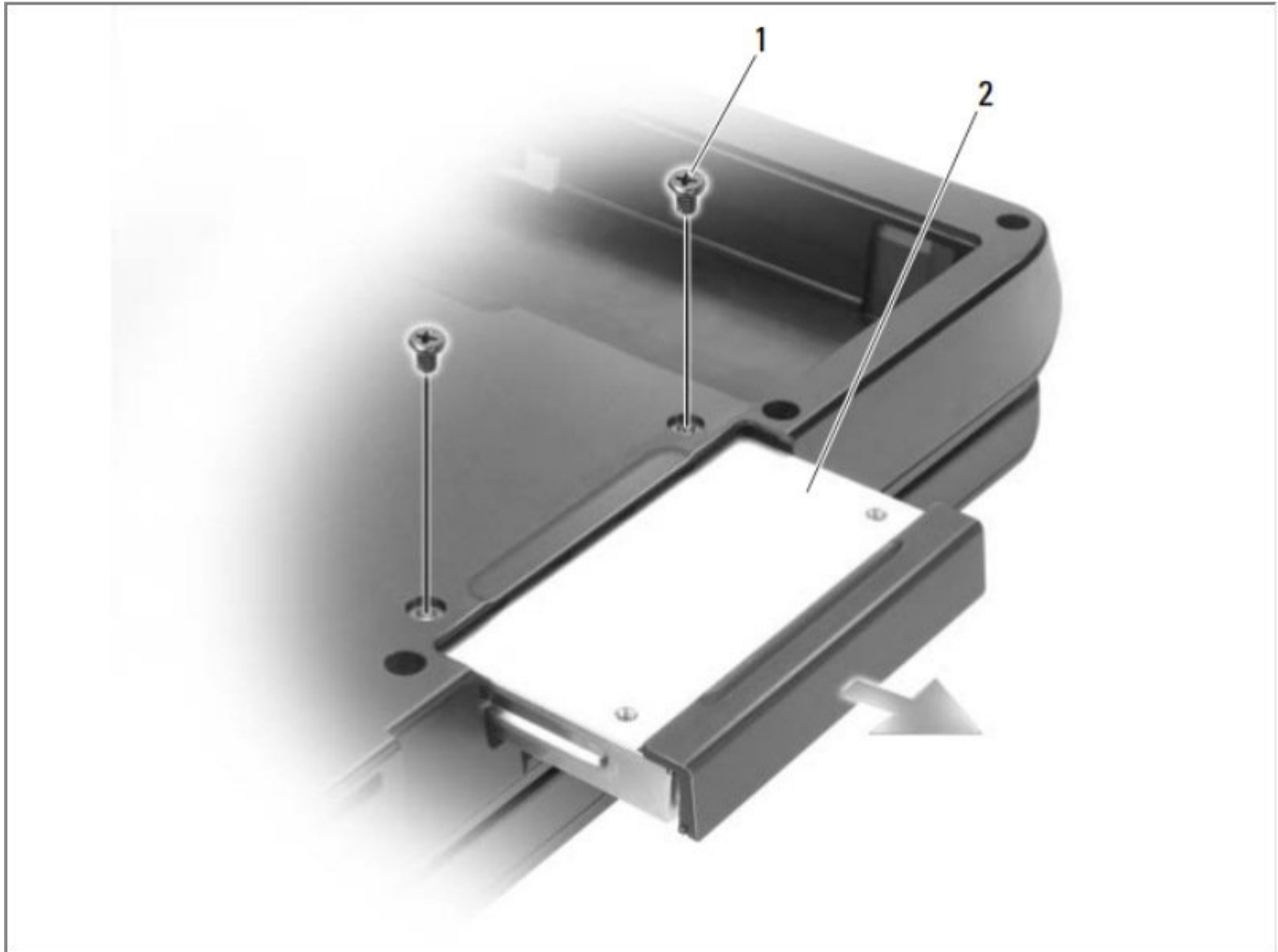




# Dell Vostro 1000 Hard Drive Replacement

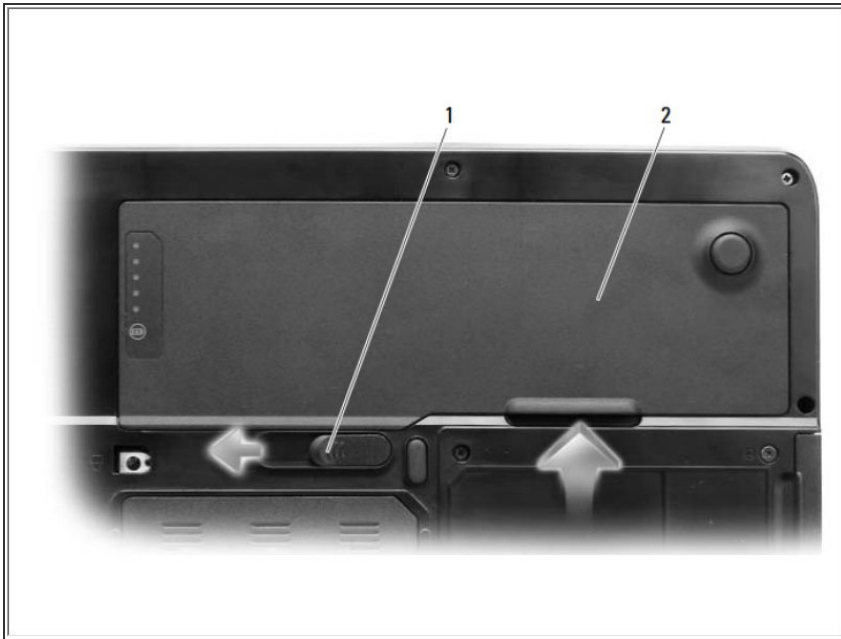
Written By: Johnathan Hammond



 **TOOLS:**

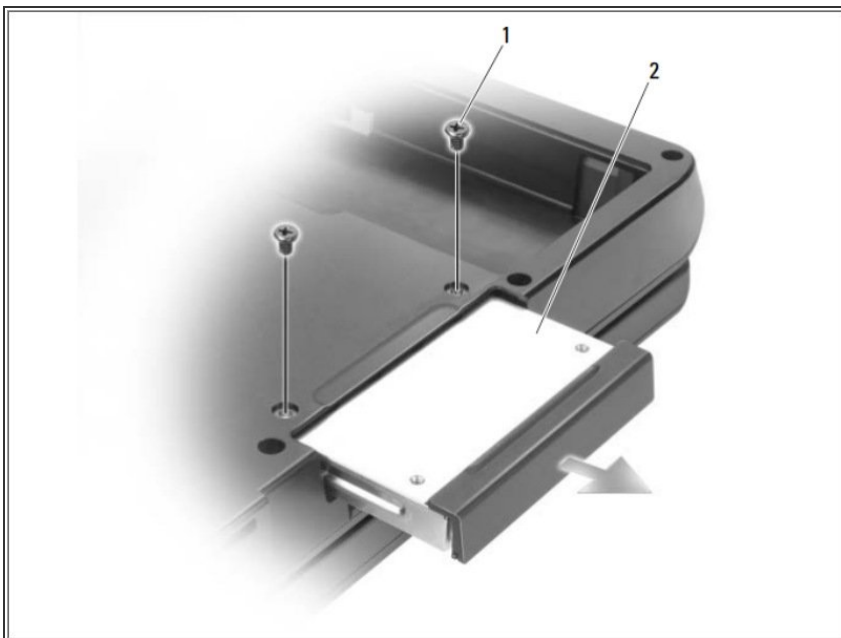
- [Phillips #0 Screwdriver](#) (1)
-

## Step 1 — Battery



- Slide and hold the battery-bay latch release on the bottom of the computer, and then lift the battery from the bay.

## Step 2 — Hard Drive



- Turn the computer over, and remove the hard drive screws.
  - Slide the hard drive out of the computer.
- (i) NOTICE:** When the hard drive is not in the computer, store it in protective antistatic packaging.

To reassemble your device, follow these instructions in reverse order.