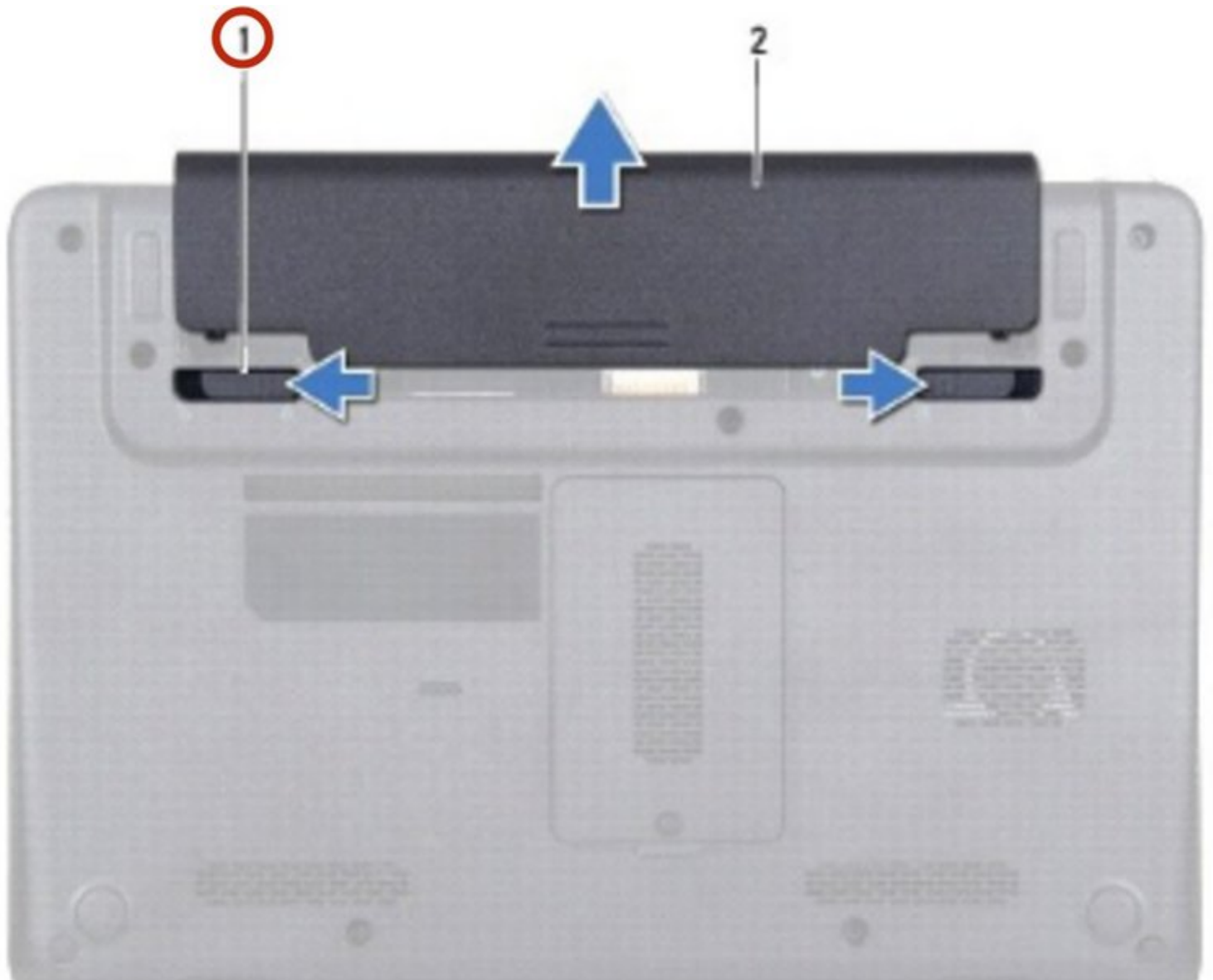




Dell Inspiron 1122 M102z Battery Replacement

Written By: Terrence15



INTRODUCTION

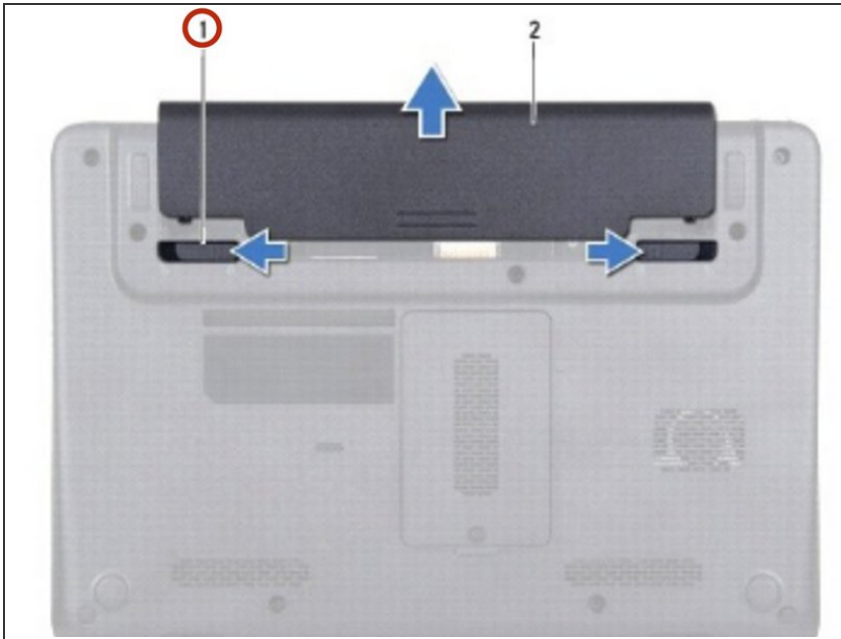
In this guide, we will show you how to remove and replace the Battery.



TOOLS:

- [Phillips #0 Screwdriver](#) (1)
-

Step 1 — Sliding the Battery

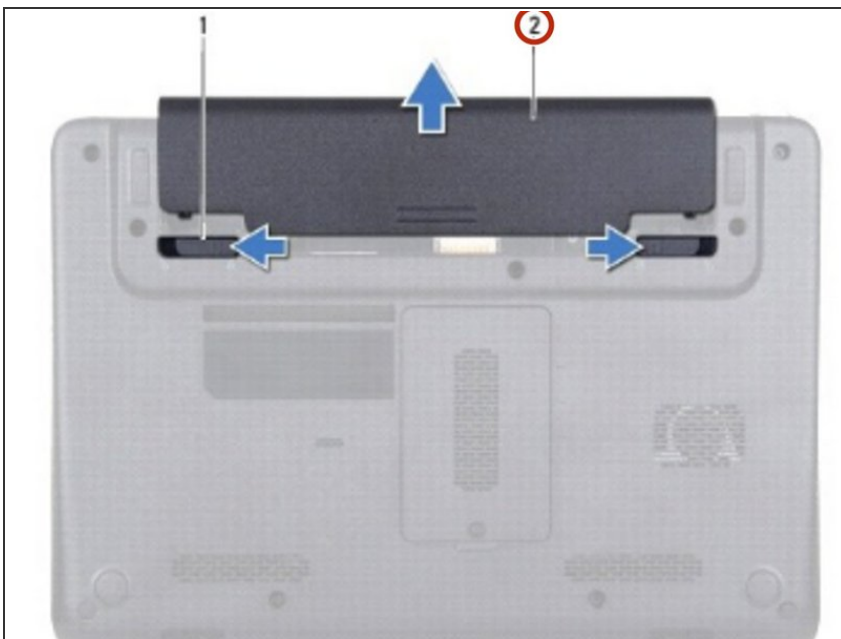


⚠ WARNING: Before working inside your computer, read the safety information that shipped with your computer. Follow the instructions in [Before You Begin](#).

⚠ CAUTION: To avoid electrostatic discharge, ground yourself by using a wrist grounding strap or by periodically touching an unpainted metal surface (such as a connector on your computer).

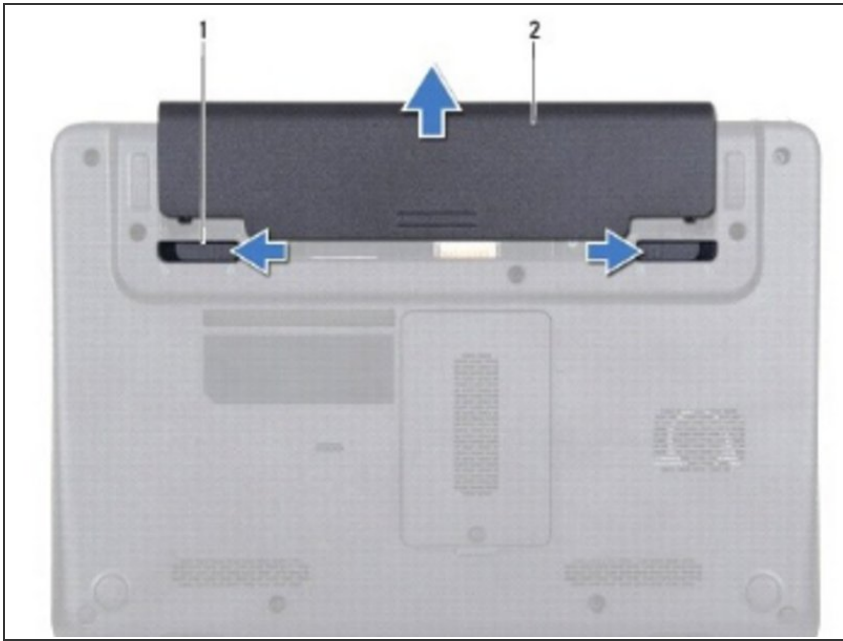
- Slide the battery release latches to the unlock position.

Step 2 — Sliding the Battery



- Slide the battery out of the battery bay.

Step 3 — Sliding the Battery



- Slide the battery into the battery bay, until it clicks into place.

To reassemble your device, follow these instructions in reverse order.

This document was last generated on 2019-07-09 07:21:04 PM.