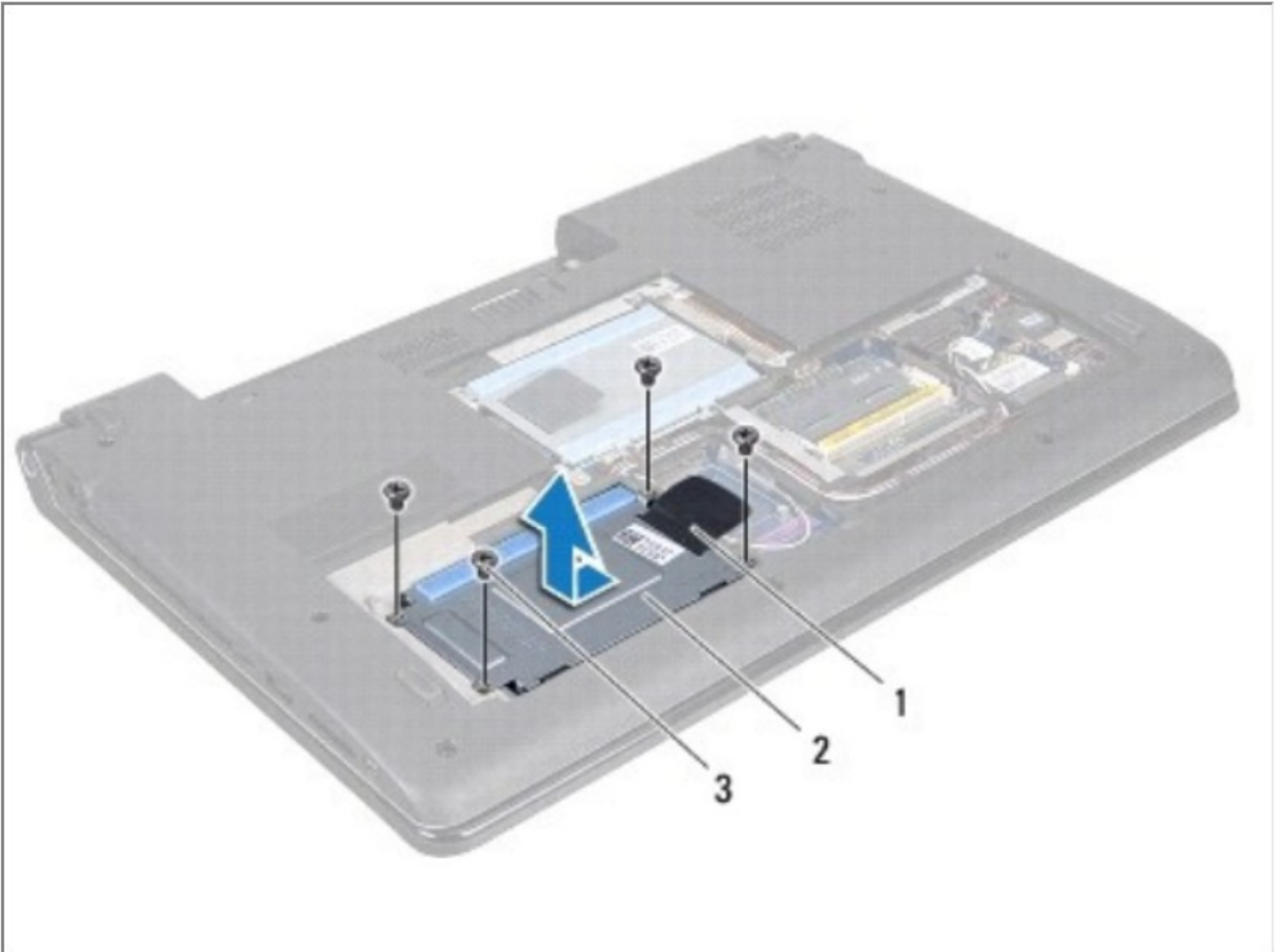




Dell Studio 1747 Hard Drive Replacement

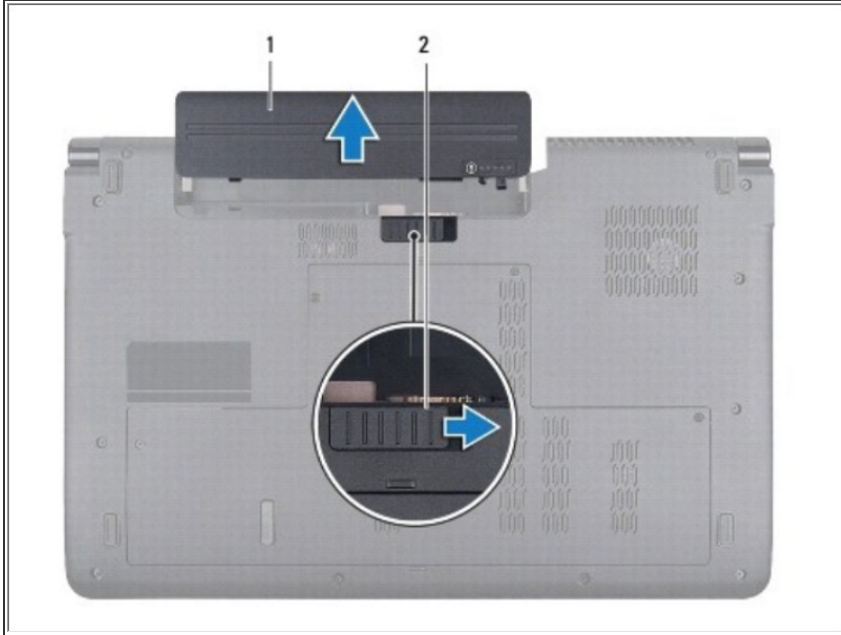
Written By: Johnathan Hammond



 **TOOLS:**

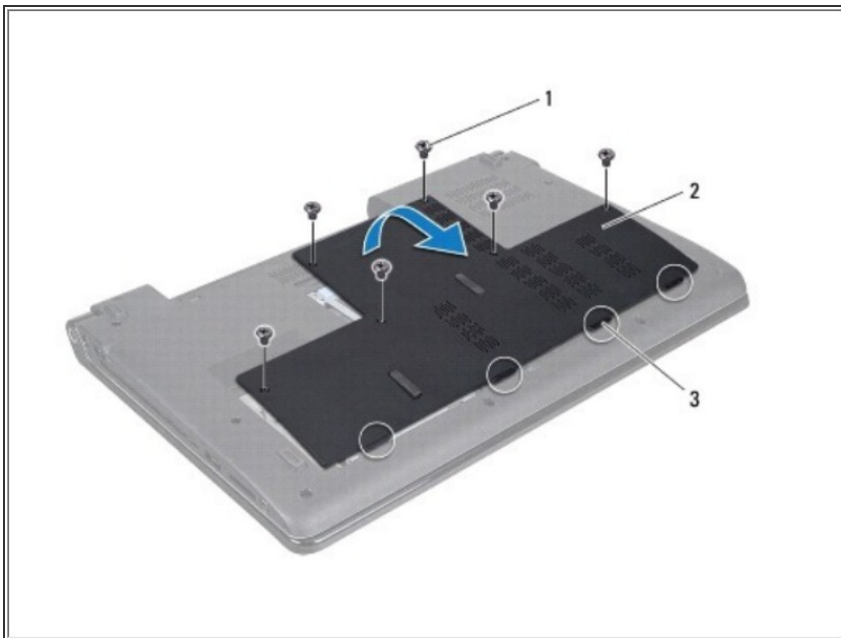
- [Phillips #0 Screwdriver](#) (1)
-

Step 1 — Battery



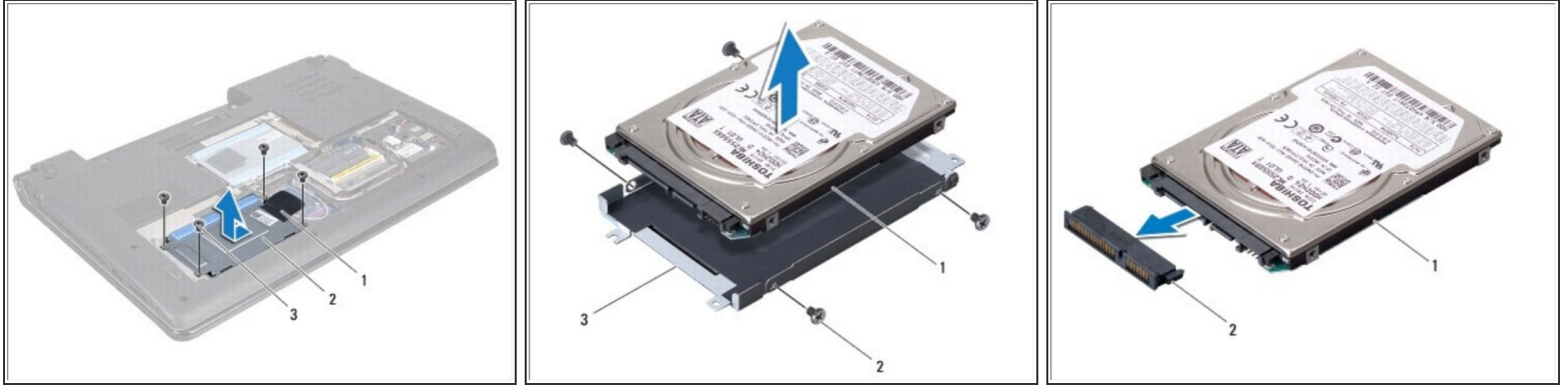
- Slide the battery release latch until it clicks into place.
- Slide the battery out of the battery bay.

Step 2 — Base Cover



- Remove the six screws that secure the base cover to the computer base.
- Lift the base cover off the computer at an angle as shown in the following illustration.

Step 3 — Hard Drive



- Remove the four screws that secure the hard drive assembly to the computer base.
- Using the pull-tab, slide the hard drive towards the left to disconnect the hard drive assembly from the connector on the system board.
- Lift the hard drive assembly out of the computer base.
 - Remove the four screws that secure the hard drive cage to the hard drive.
 - Lift the hard drive off the hard drive cage.
 - Pull the interposer to disconnect it from the hard drive.

To reassemble your device, follow these instructions in reverse order.

This document was last generated on 2018-06-23 03:35:54 AM.