



Dell Studio 1735 Base Cover Replacement

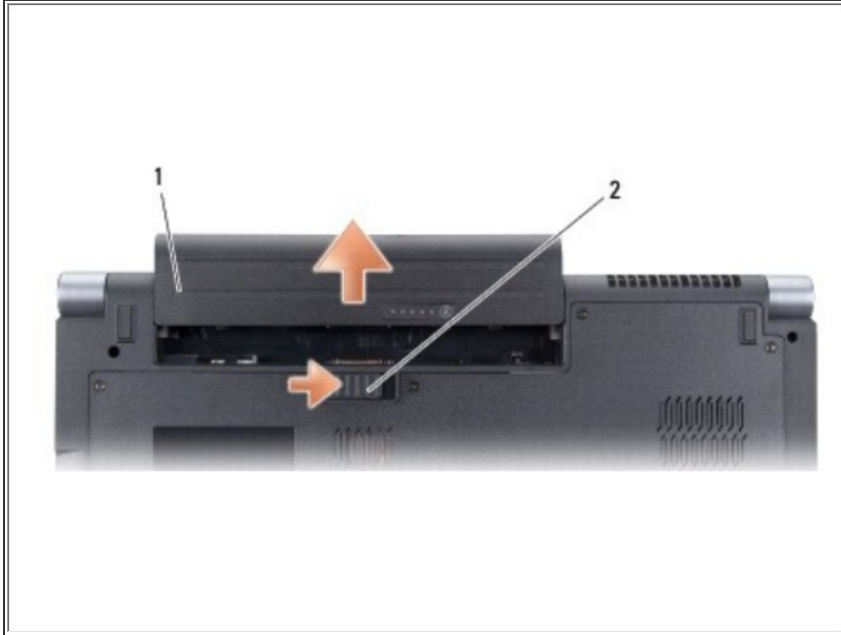
Written By: Johnathan Hammond



 **TOOLS:**

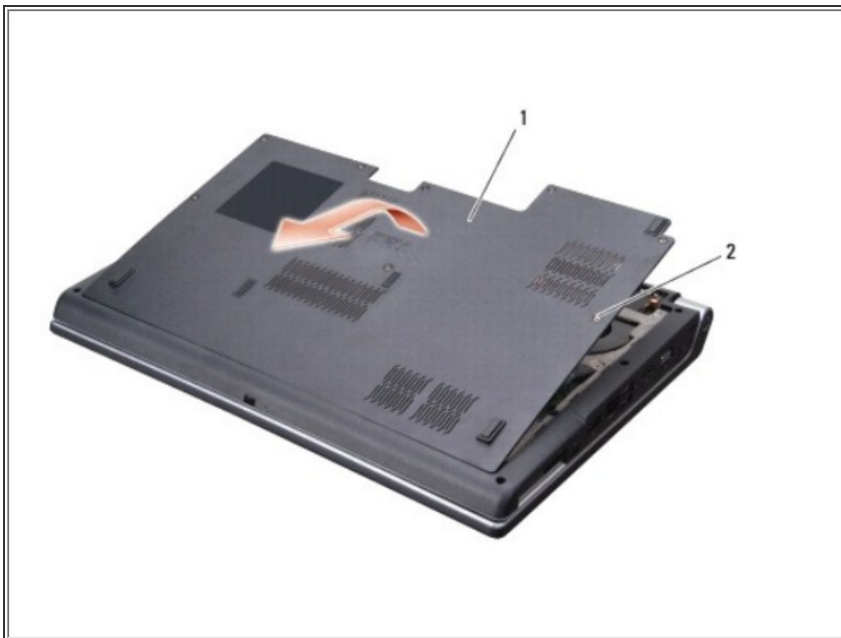
- [Phillips #0 Screwdriver](#) (1)
-

Step 1 — Battery



- Slide and click the battery latch release.
- Slide the battery out of the battery bay.

Step 2 — Base Cover



- Loosen the eight captive screws on the base cover and lift the cover off the computer at an angle as shown in the figure.

To reassemble your device, follow these instructions in reverse order.