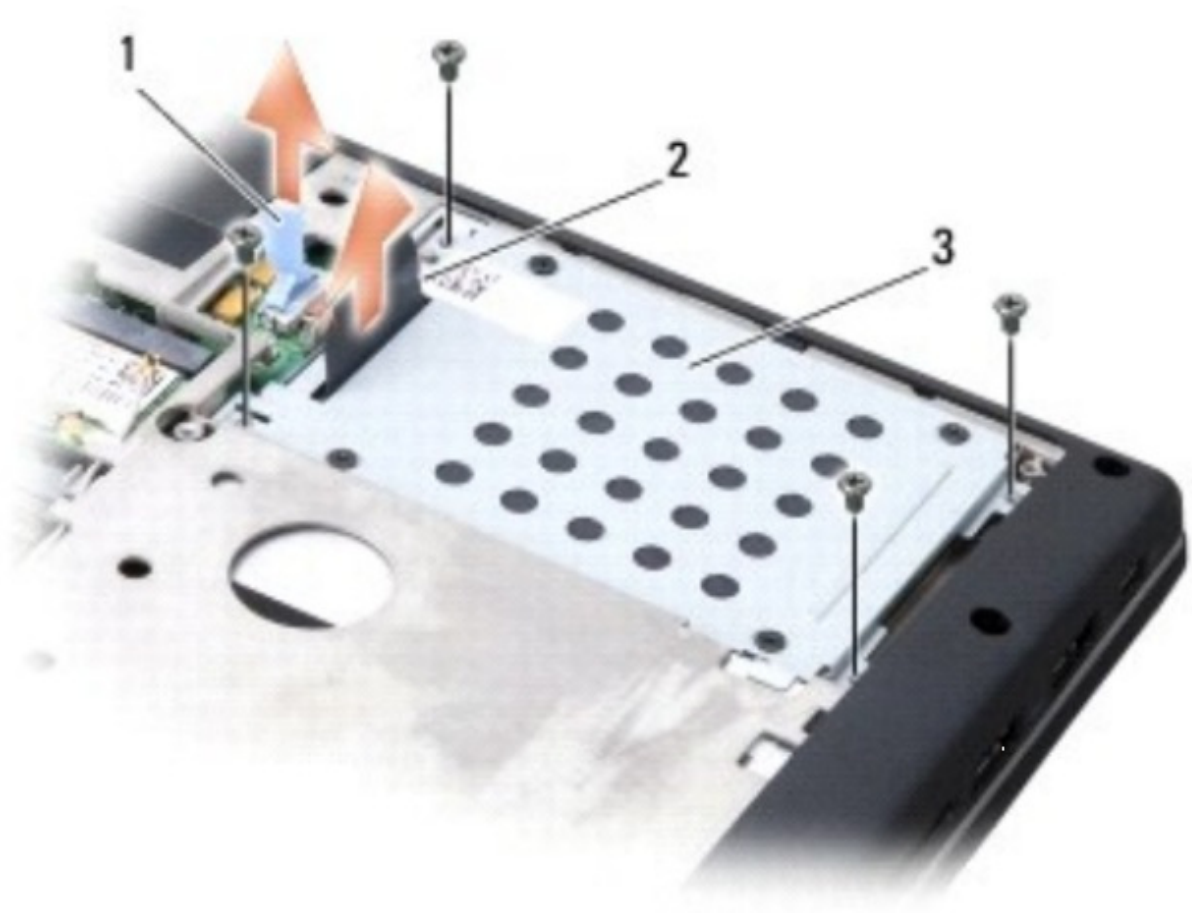




Dell Studio 1536 Hard Drive Replacement

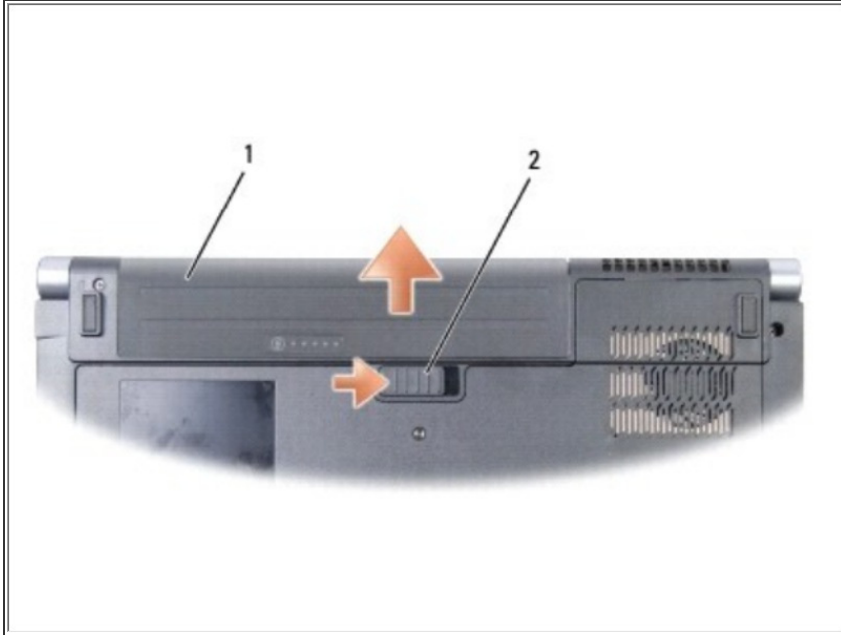
Written By: Johnathan Hammond



 **TOOLS:**

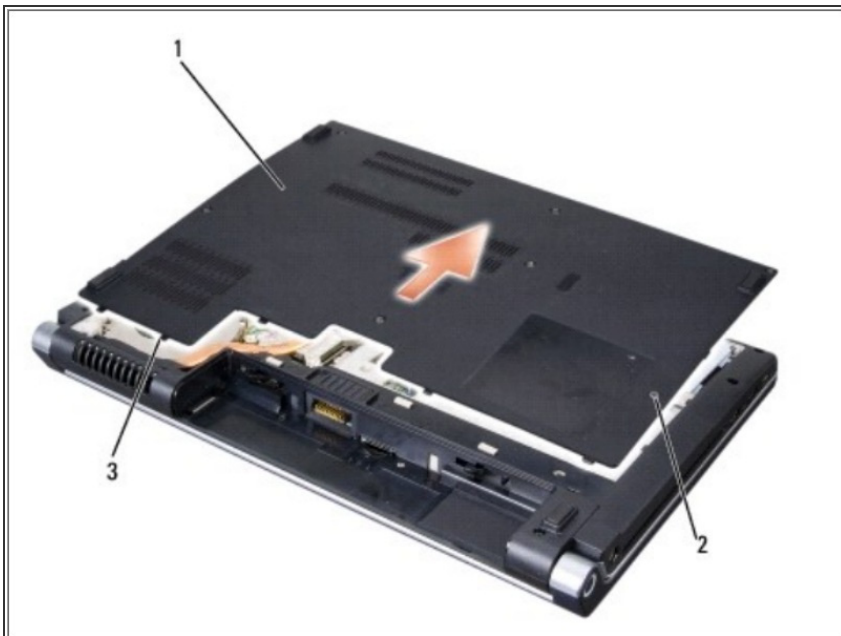
- [Phillips #0 Screwdriver](#) (1)
-

Step 1 — Battery



- Slide the battery release latch until it clicks into place.
- Slide the battery out of the battery bay.

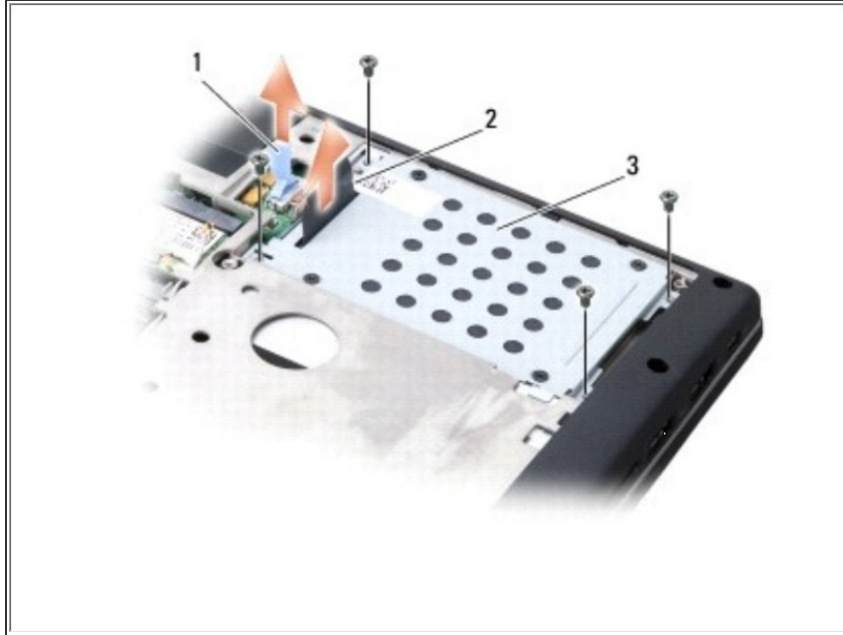
Step 2 — Base Cover



- Loosen the seven captive screws on the base cover and lift the cover off the computer at an angle as shown in the figure.

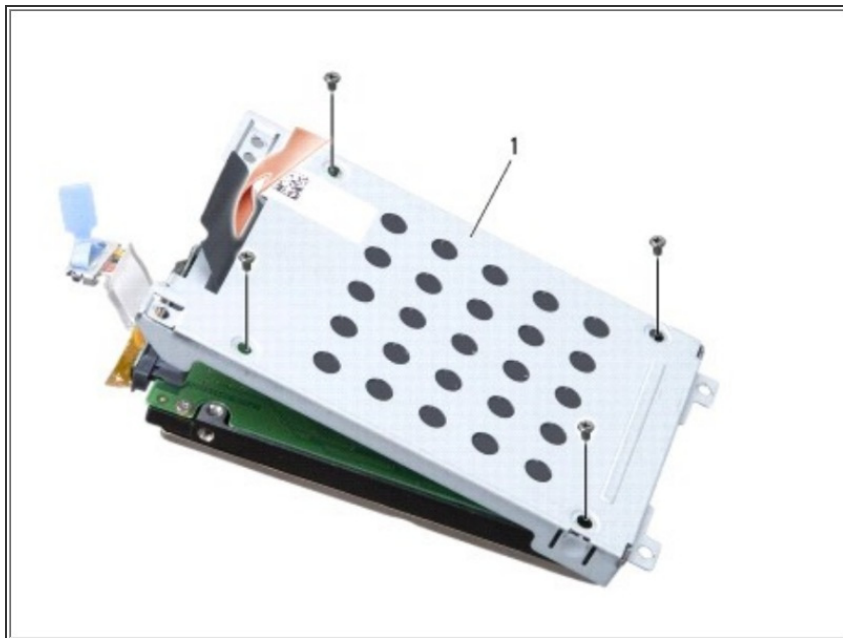
⚠ CAUTION: Do not touch the processor thermal-cooling assembly. Processor components should be removed only by trained support personnel.

Step 3 — Hard Drive



- Remove the four screws securing the hard drive assembly to the computer.
- Pull the hard drive cable pull-tab to disconnect the cable from the system board connector.
- Pull on the hard drive pull-tab to lift the hard drive assembly from the bay.

Step 4



- Remove the four M3 x 3-mm screws securing the hard drive cage to the hard drive.
- Lift the hard drive cage off the hard drive.

Step 5



- Disconnect the hard drive cable from the connector on the hard drive..
- ⓘ NOTICE: When the hard drive is not in the computer, store it in protective antistatic packaging. For more information, see "Protecting Against Electrostatic Discharge" in the safety information that shipped with your computer.

To reassemble your device, follow these instructions in reverse order.

This document was last generated on 2018-05-25 08:06:15 PM.