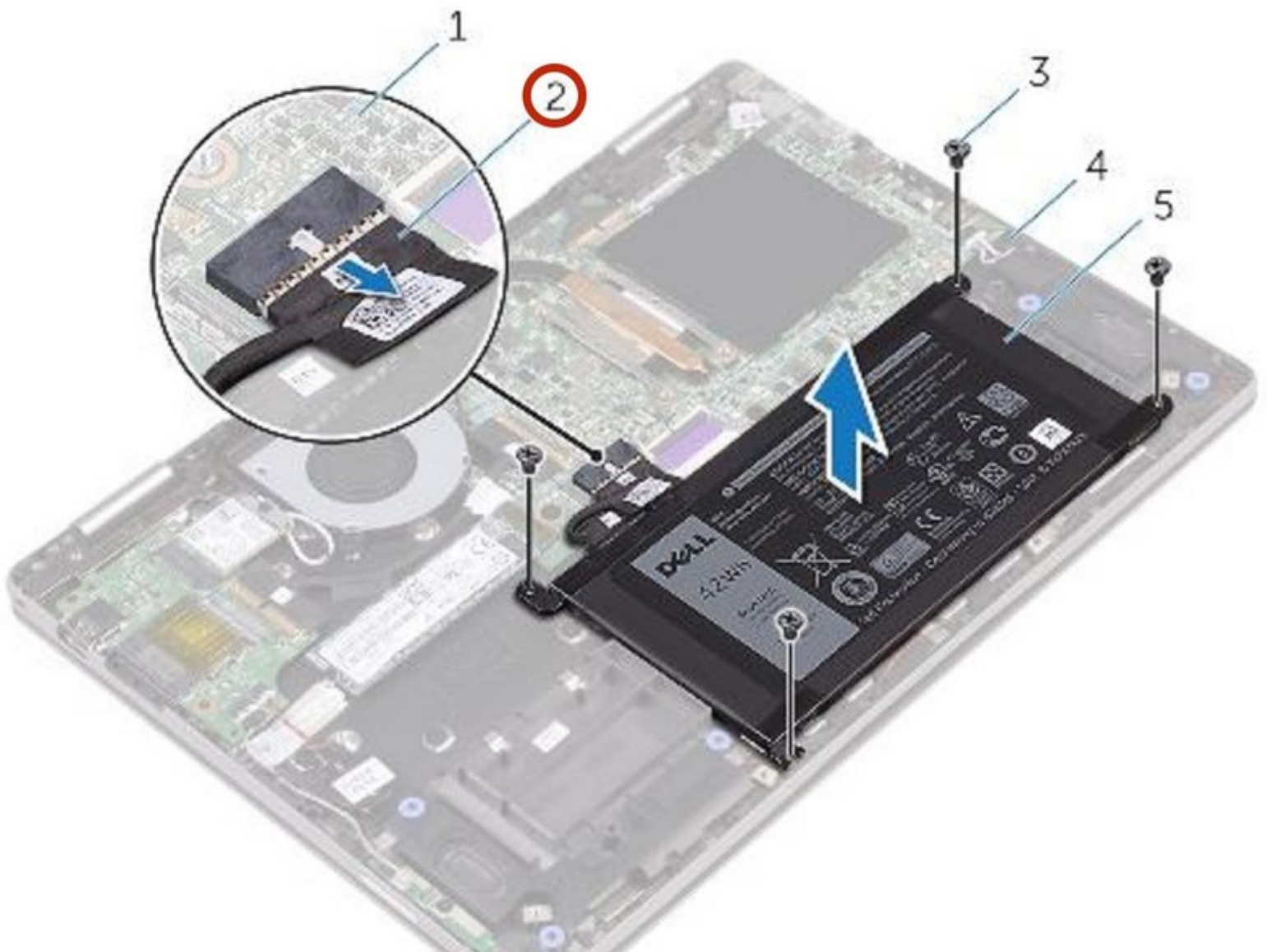




Dell Inspiron 13 7378 Battery Replacement

Written By: Terrence15



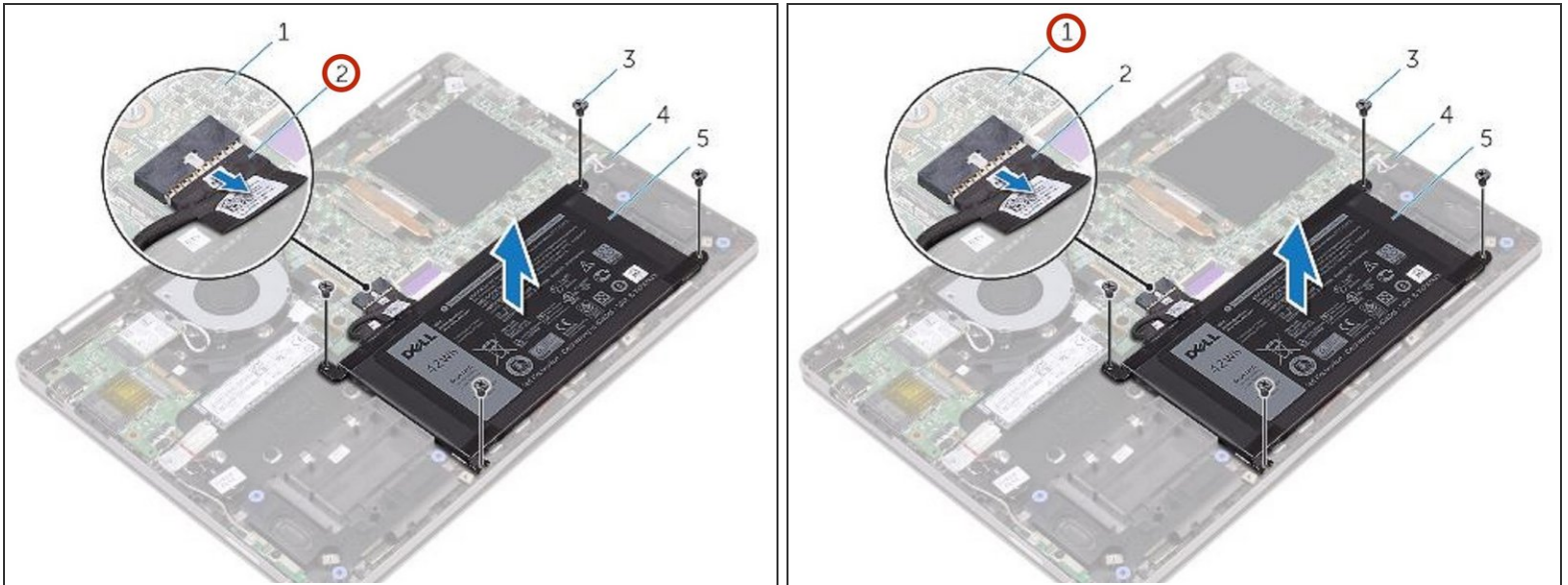
INTRODUCTION

In this guide, we will show you how to remove and replace the Battery.

TOOLS:

- [Phillips #0 Screwdriver](#) (1)
-

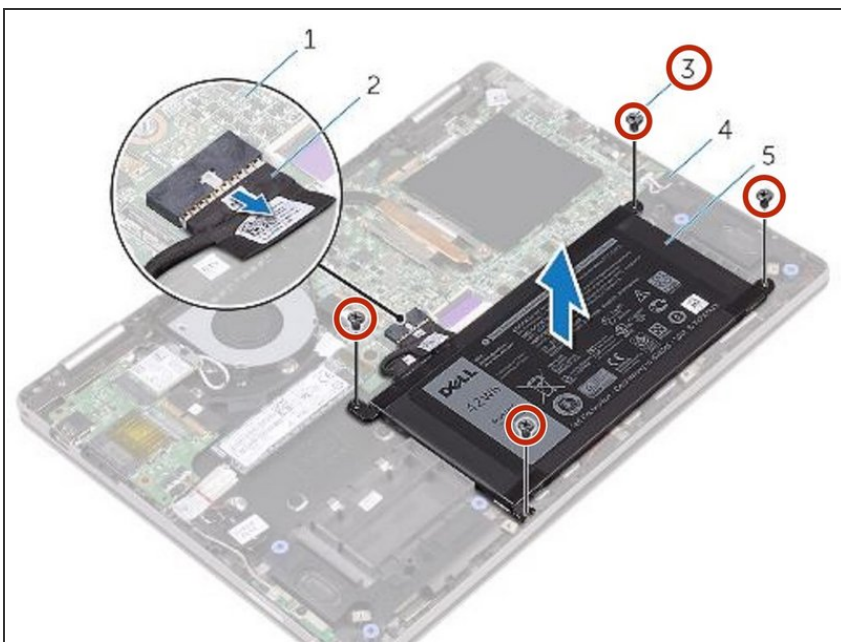
Step 1 — Disconnecting the Battery Cable



⚠ WARNING: Before working inside your computer, read the safety information that shipped with your computer and follow the steps in [Before Working Inside Your Computer](#). After working inside your computer, follow the instructions in [After Working Inside Your Computer](#).

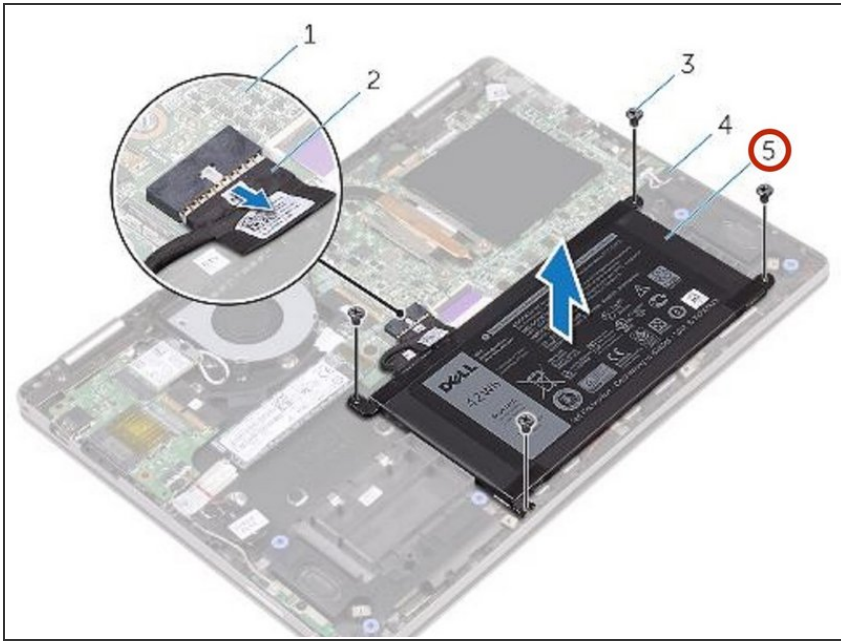
- Disconnect the battery cable from the system board.

Step 2 — Remove the Screws



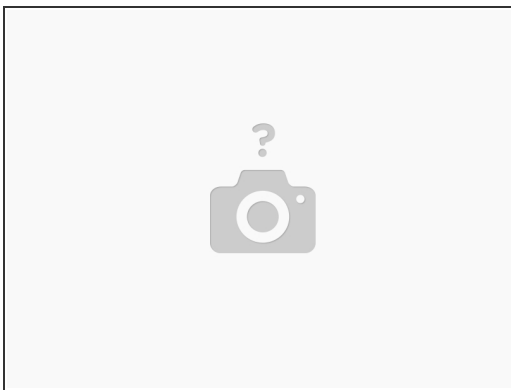
- Remove the screws that secure the battery to the palm-rest assembly.

Step 3 — Lifting the Battery



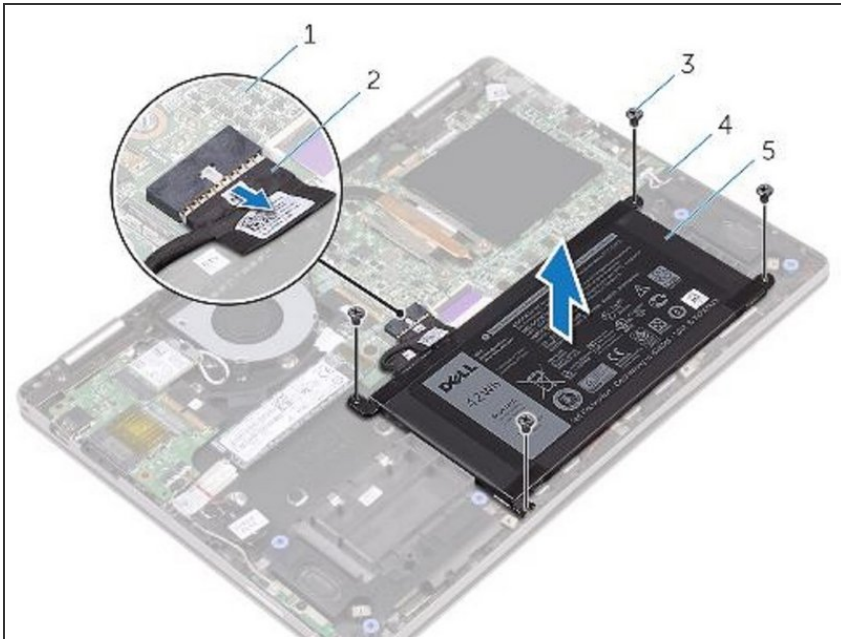
- Lift the battery off the palm-rest assembly.

Step 4 — Grounding the System Board



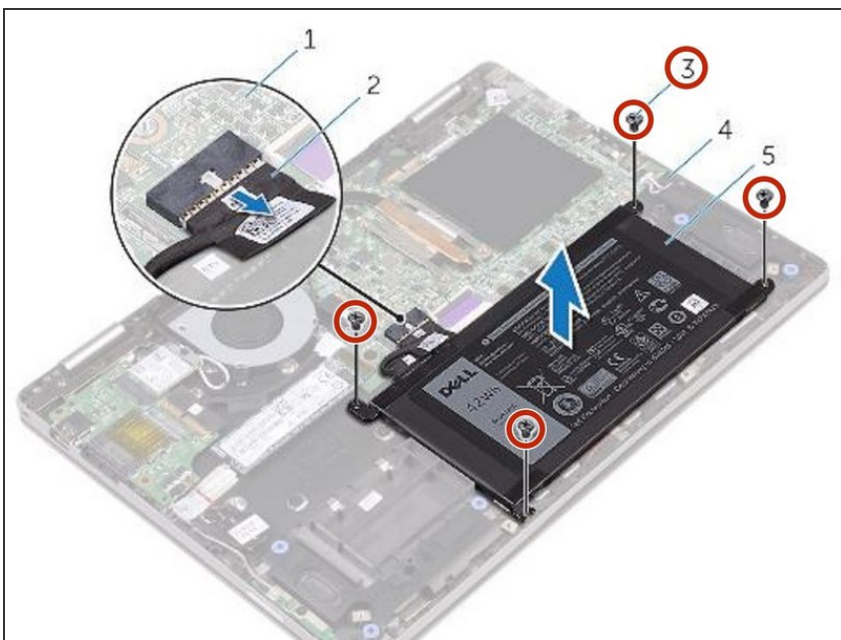
- Press and hold the power button for five seconds to ground the system board.

Step 5 — Align the Screw Holes



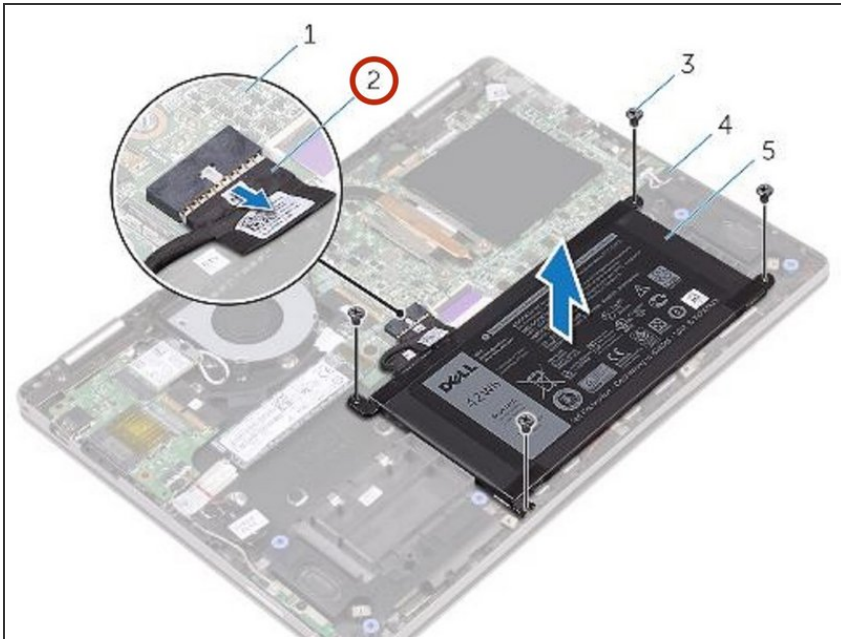
- Align the screw holes on the **NEW** battery with the screw holes on the palm-rest assembly.

Step 6 — Replace the Screws



- Replace the screws that secure the battery to the palm-rest assembly.

Step 7 — Connecting the Battery Cable



- Connect the battery cable to the system board.

To reassemble your device, follow these instructions in reverse order.