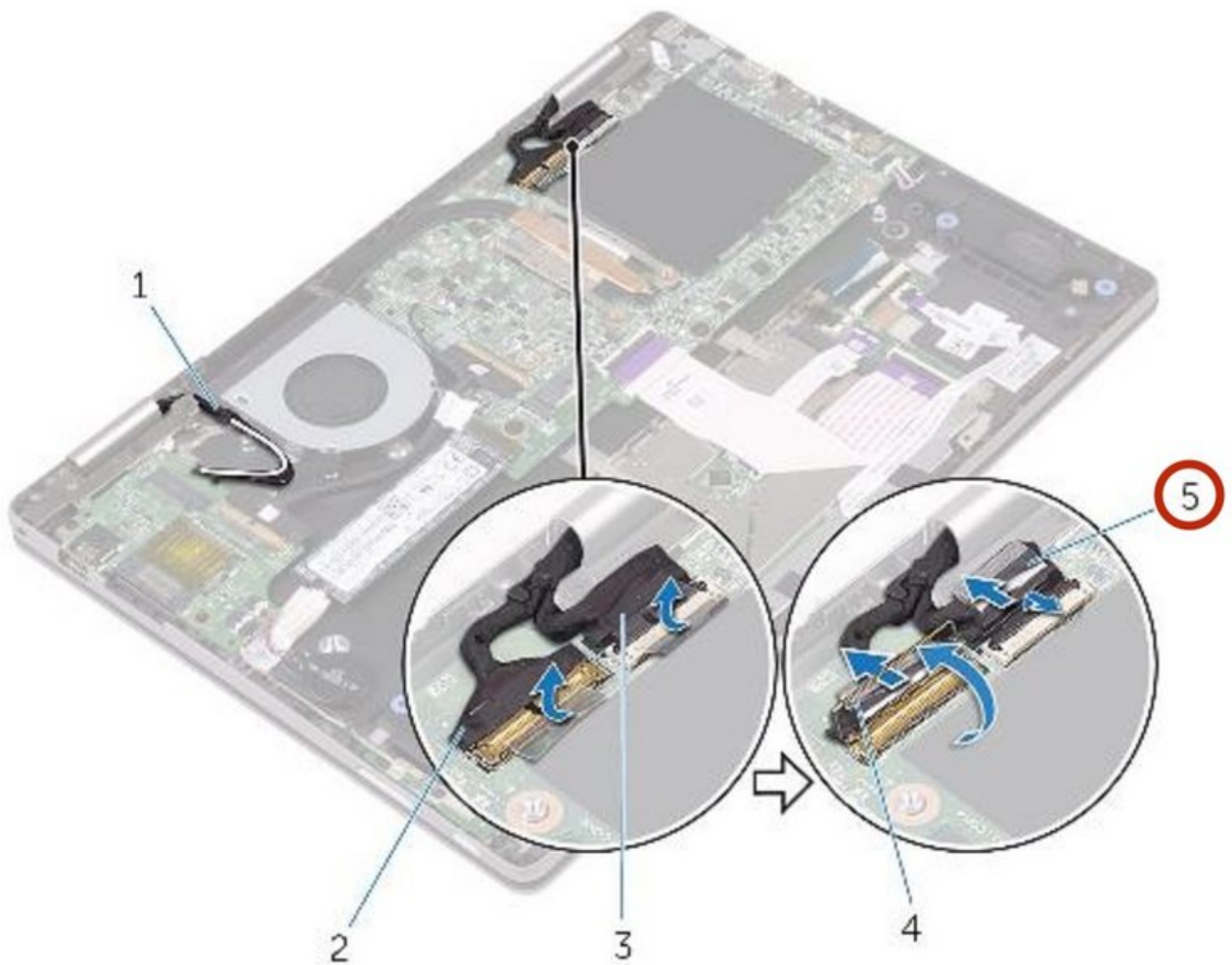




Dell Inspiron 13 7378 Display Assembly Replacement

Written By: Terrence15



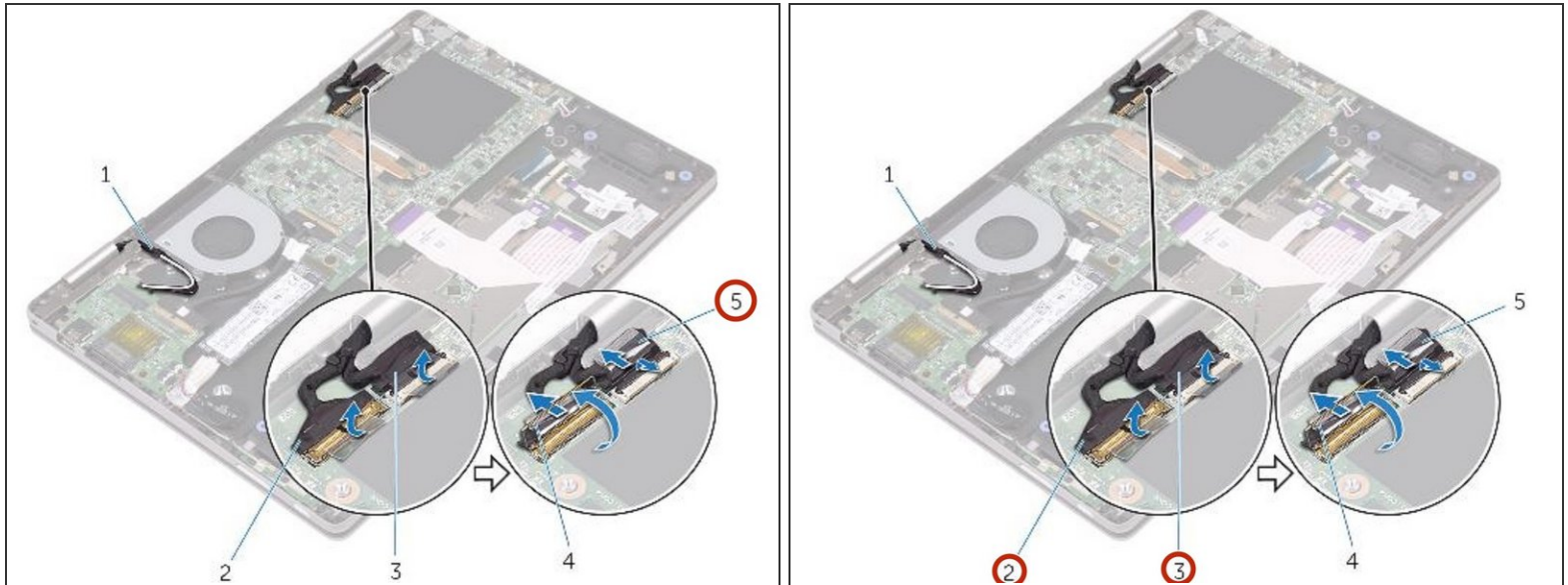
INTRODUCTION

In this guide, we will be showing you how to remove and replace the Display Assembly.

TOOLS:

- [Essential Electronics Toolkit](#) (1)
-

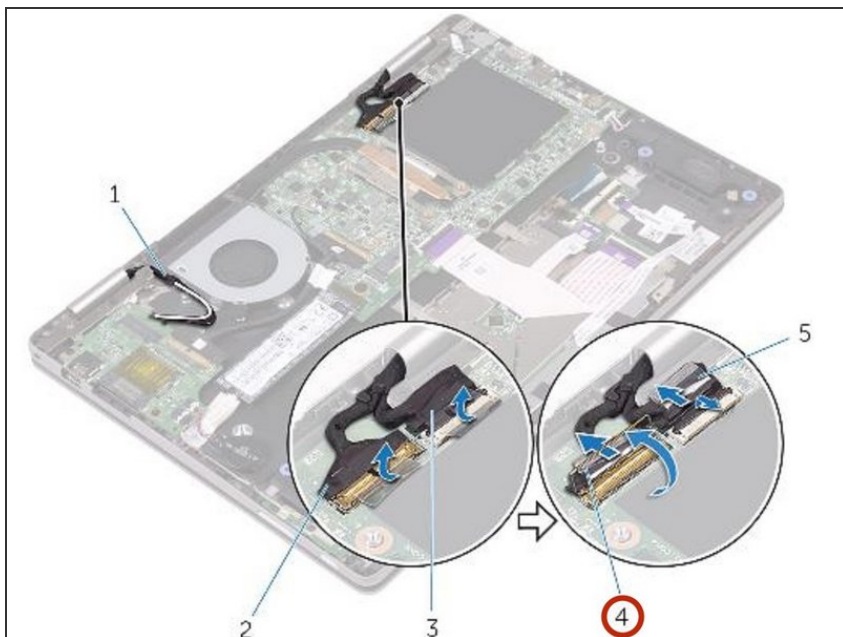
Step 1 — Peeling off the Tape



⚠ WARNING: Before working inside your computer, read the safety information that shipped with your computer and follow the steps in [Before Working Inside Your Computer](#). After working inside your computer, follow the instructions in [After Working Inside Your Computer](#).

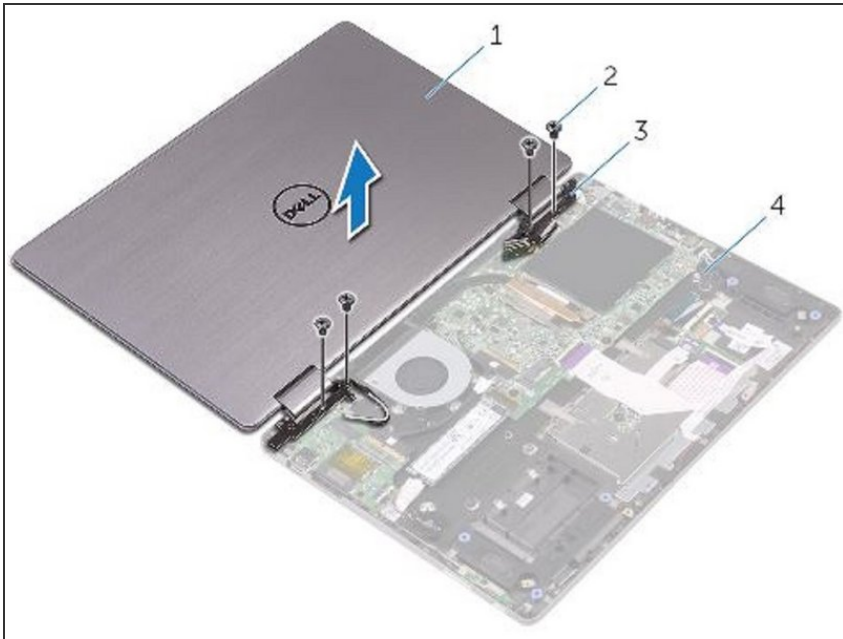
- Peel off the pieces of tape that secure the display cable and touch-screen board-cable to the system board.

Step 2 — Open the Latches



- Open the latches to disconnect the display cable and the touch-screen board-cable from the system board.

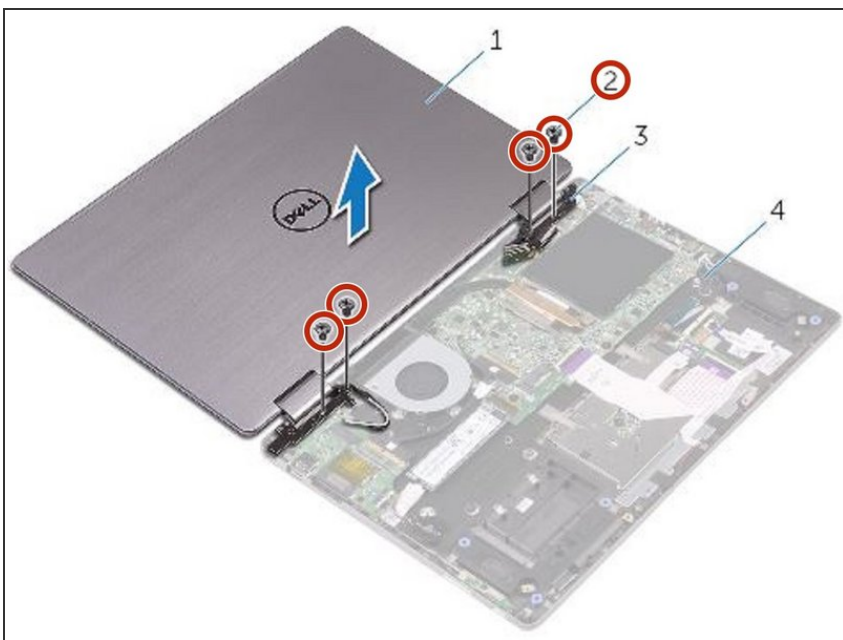
Step 3 — Open the Display



- Turn the computer over and open the display as far as possible.

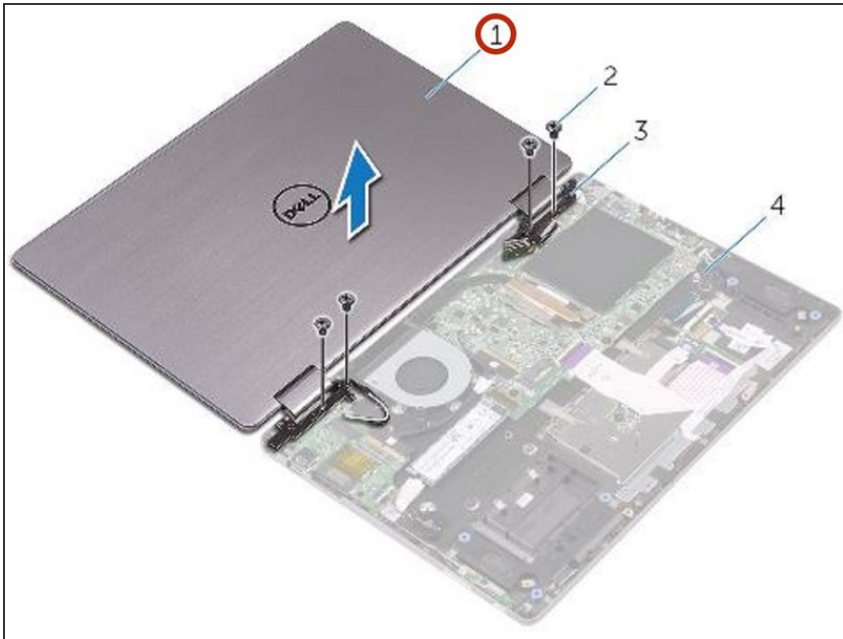
⚠ CAUTION: Place the computer on a soft and clean surface to avoid scratching the display.

Step 4 — Remove the Screws



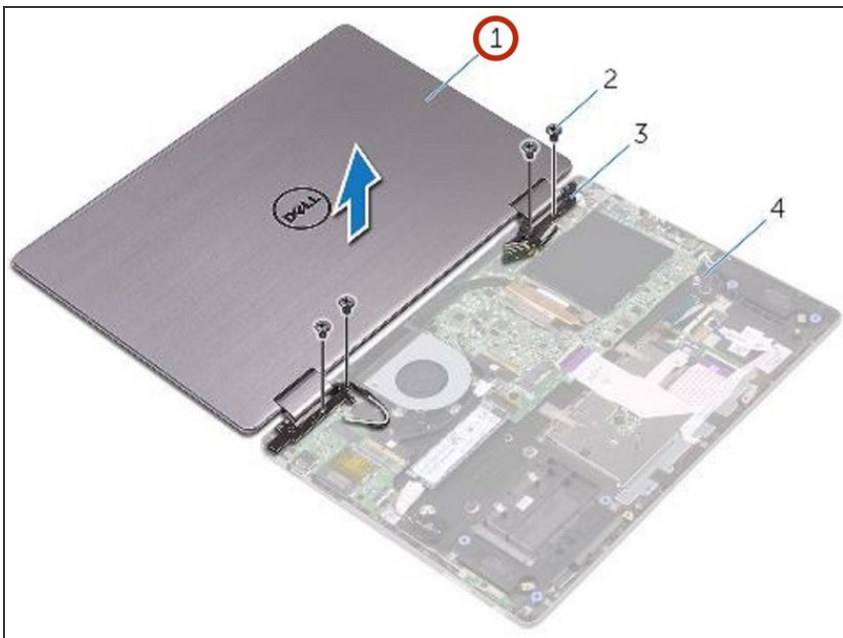
- Place the computer face down on a flat surface.
- Remove the screws that secure the display assembly to the palm-rest assembly.

Step 5 — Lifting the Display Assembly



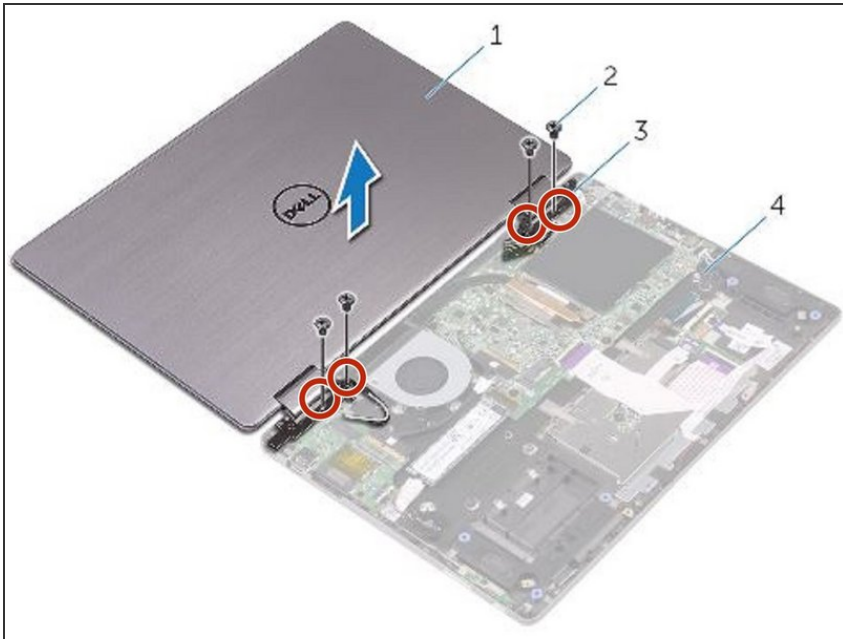
- Lift the display assembly off the palm-rest assembly.

Step 6 — Placing the Display Assembly



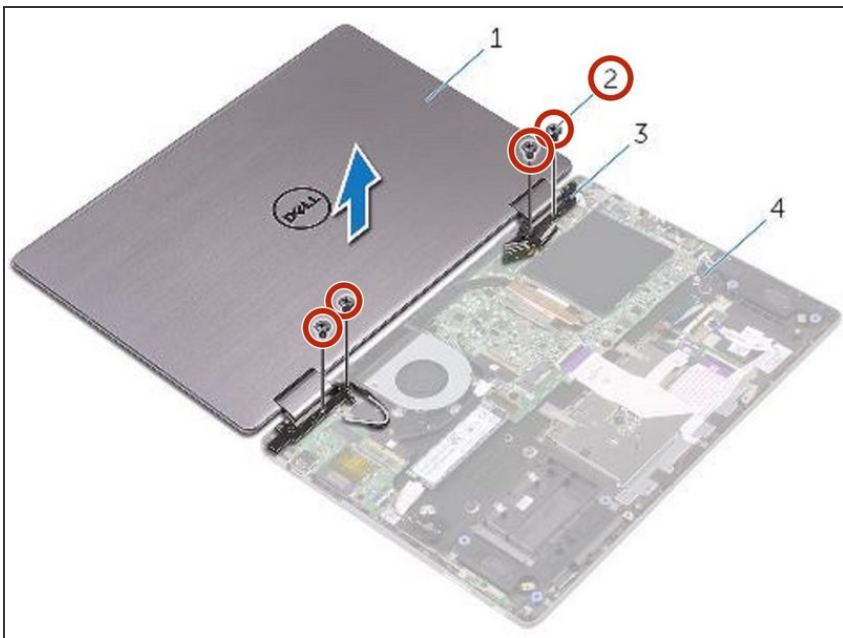
- Place the **NEW** display assembly face down on the palm-rest assembly.

Step 7 — Align the Screw Holes



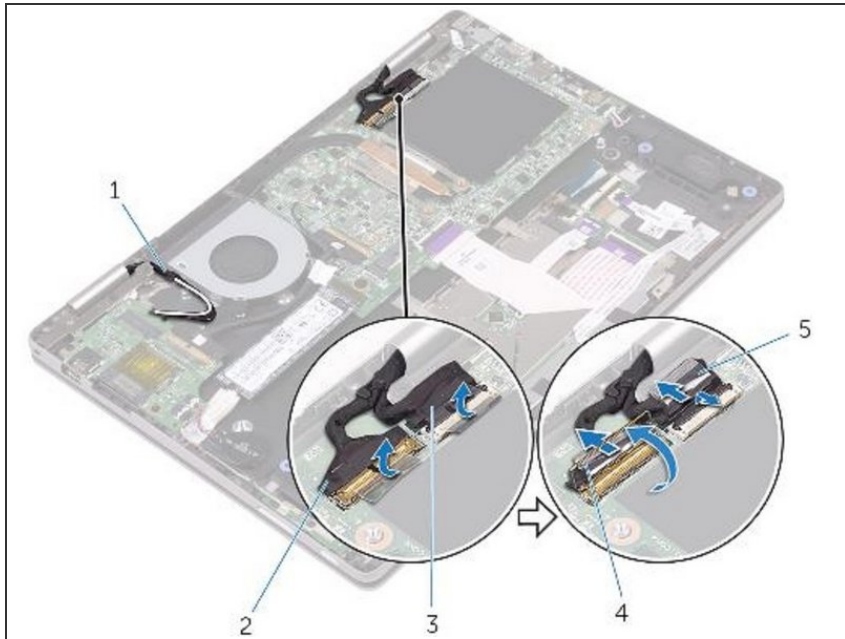
- Align the screw holes on the display hinges with the screw holes on the palm-rest assembly.

Step 8 — Replace the Screws



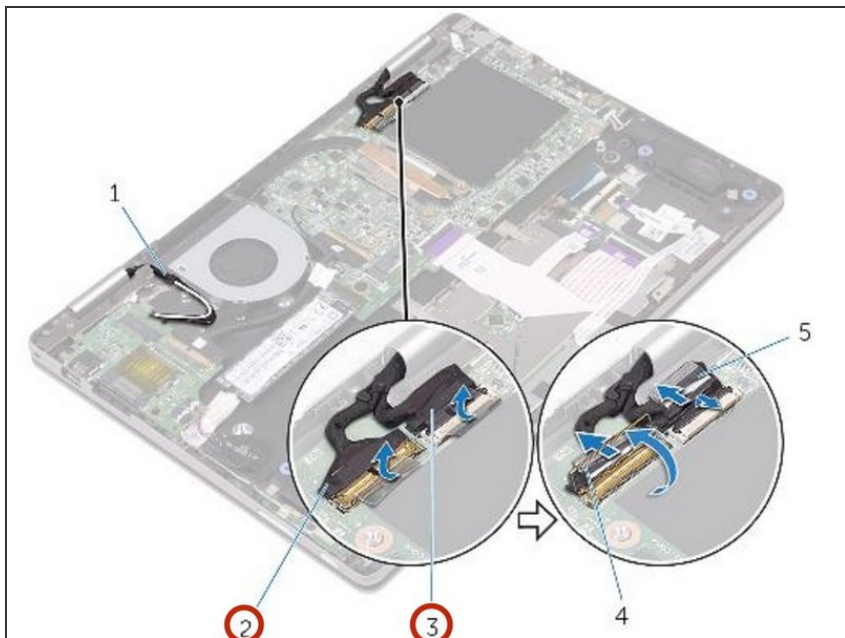
- Replace the screws that secure the display assembly to the palm-rest assembly.

Step 9 — Close the Display



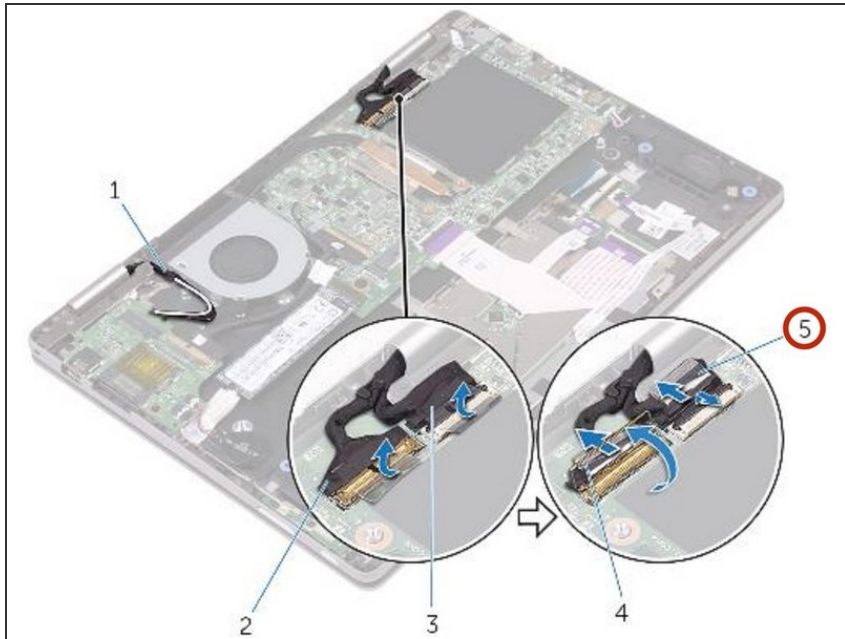
- Close the display and turn the computer over.

Step 10 — Securing the Cables



- Slide the display cable and the touch-screen board-cable into their respective connectors on the system board and close the latches to secure the cables.

Step 11 — Adhering the Tape



- Adhere the pieces of tape that secure the display cable and the touch-screen board-cable to their respective connectors on the system board.

To reassemble your device, follow these instructions in reverse order.

This document was last generated on 2019-05-21 06:20:30 AM.