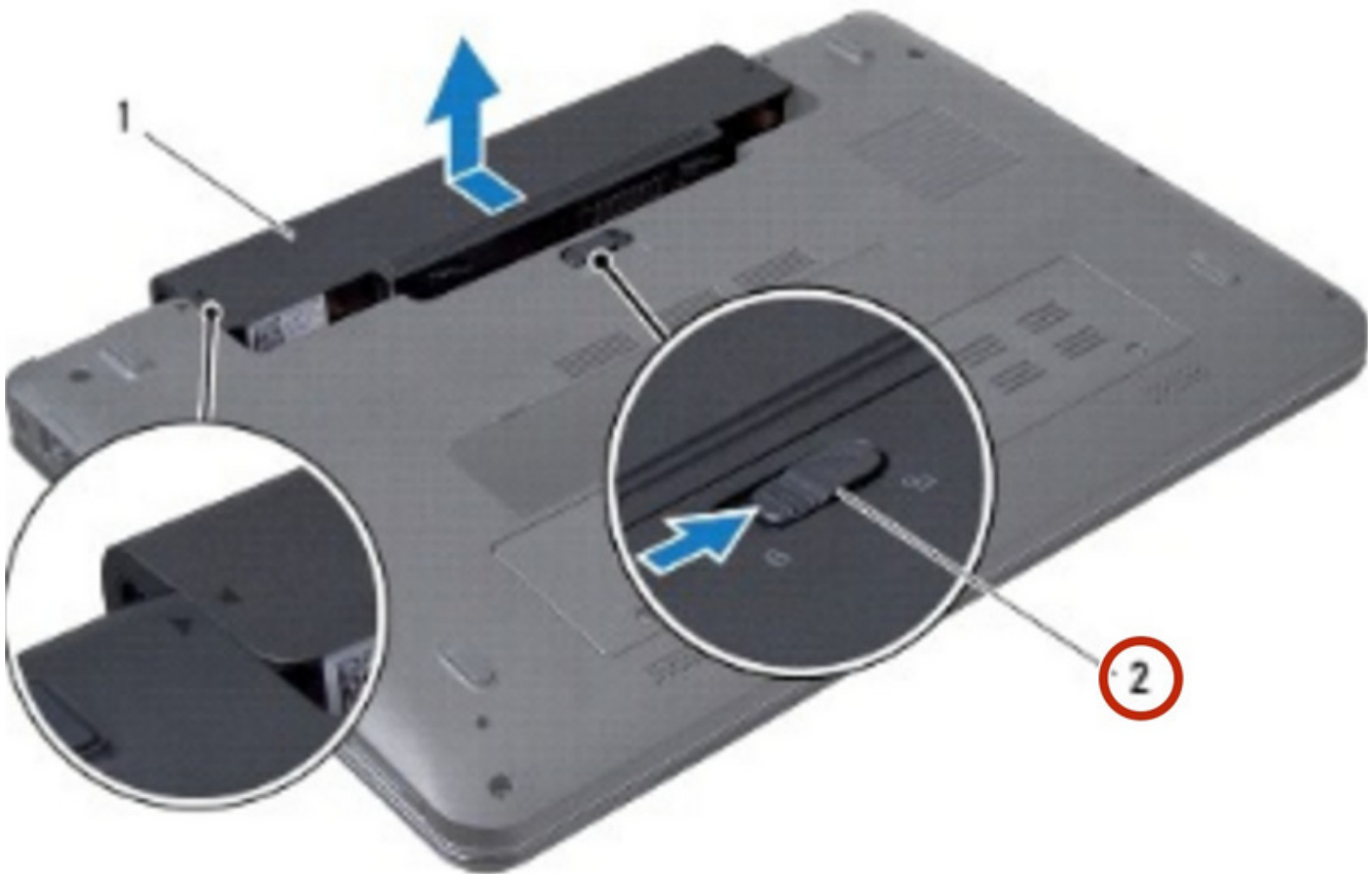




Dell Inspiron 1320 Battery Replacement

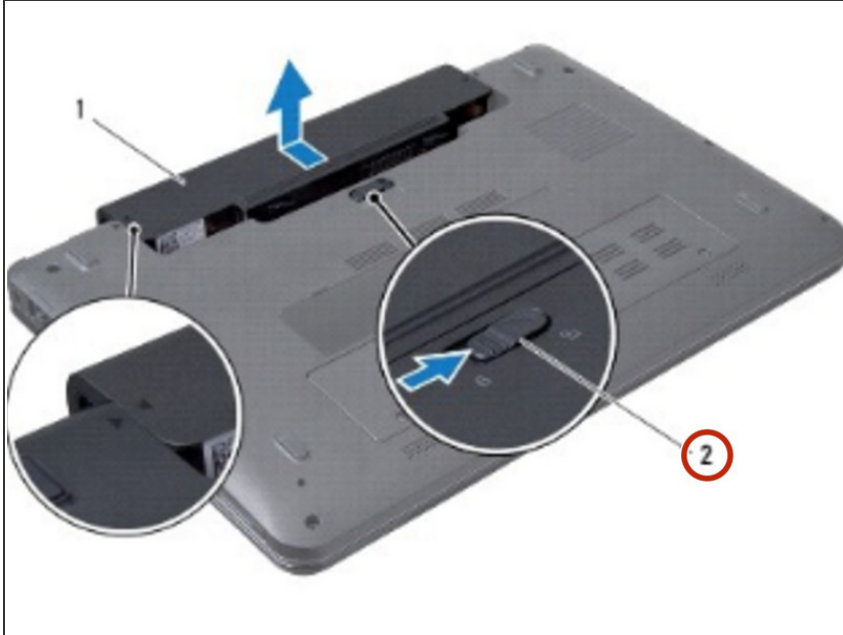
Written By: Teren Wallace



INTRODUCTION

In this guide, we will show you how to remove and replace the Battery.

Step 1 — Sliding the Battery Latch

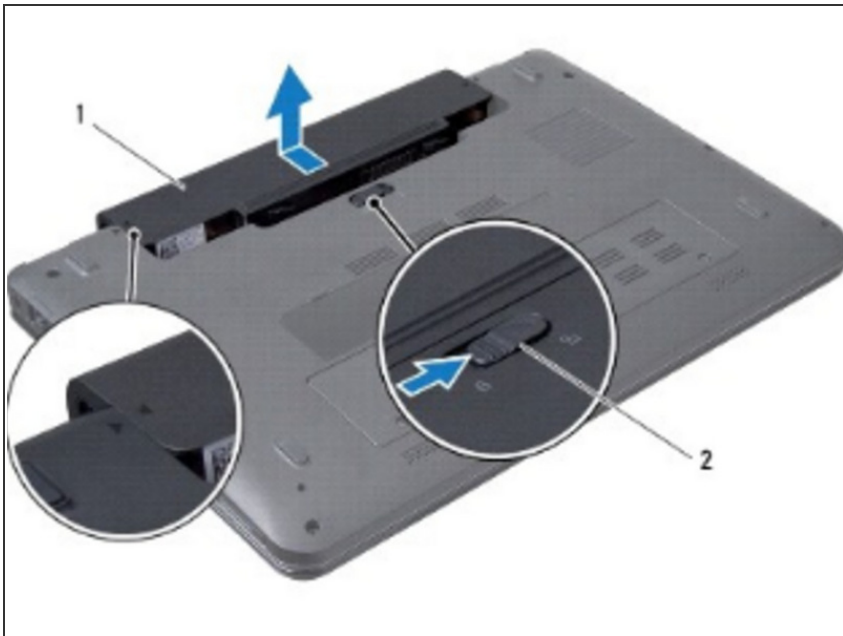


⚠ WARNING: Before working inside your computer, read the safety information that shipped with your computer. Follow the procedures in [Before You Begin](#).

⚠ CAUTION: To avoid electrostatic discharge, ground yourself by using a wrist grounding strap or by periodically touching an unpainted metal surface (such as a connector on your computer).

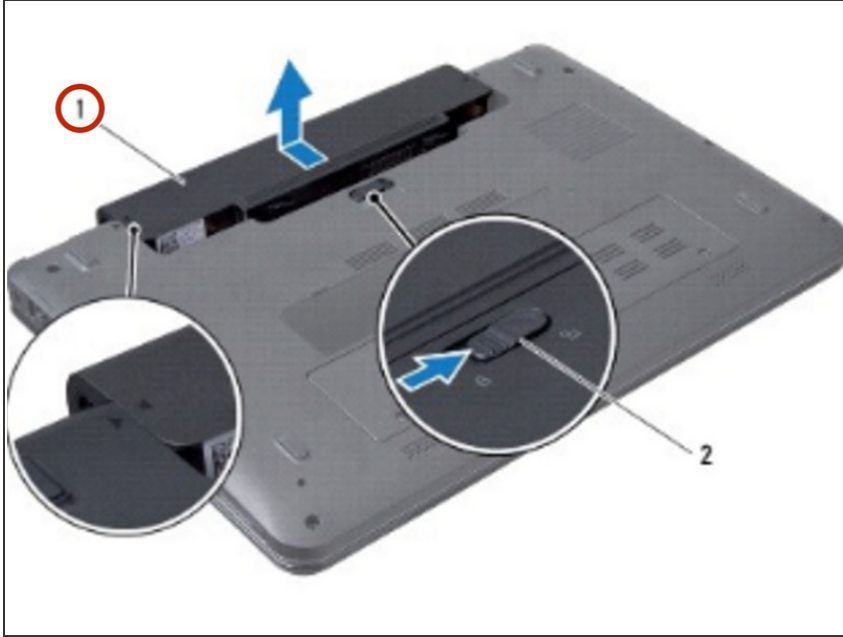
- Turn the computer over.
- Slide the battery release latch to the unlock position.

Step 2 — Align the Triangles



- Align the triangles marked on the battery and the computer base.

Step 3 — Sliding the Battery



- Slide the battery into the battery bay until it clicks into place.

This document was last generated on 2018-05-27 02:59:44 AM.