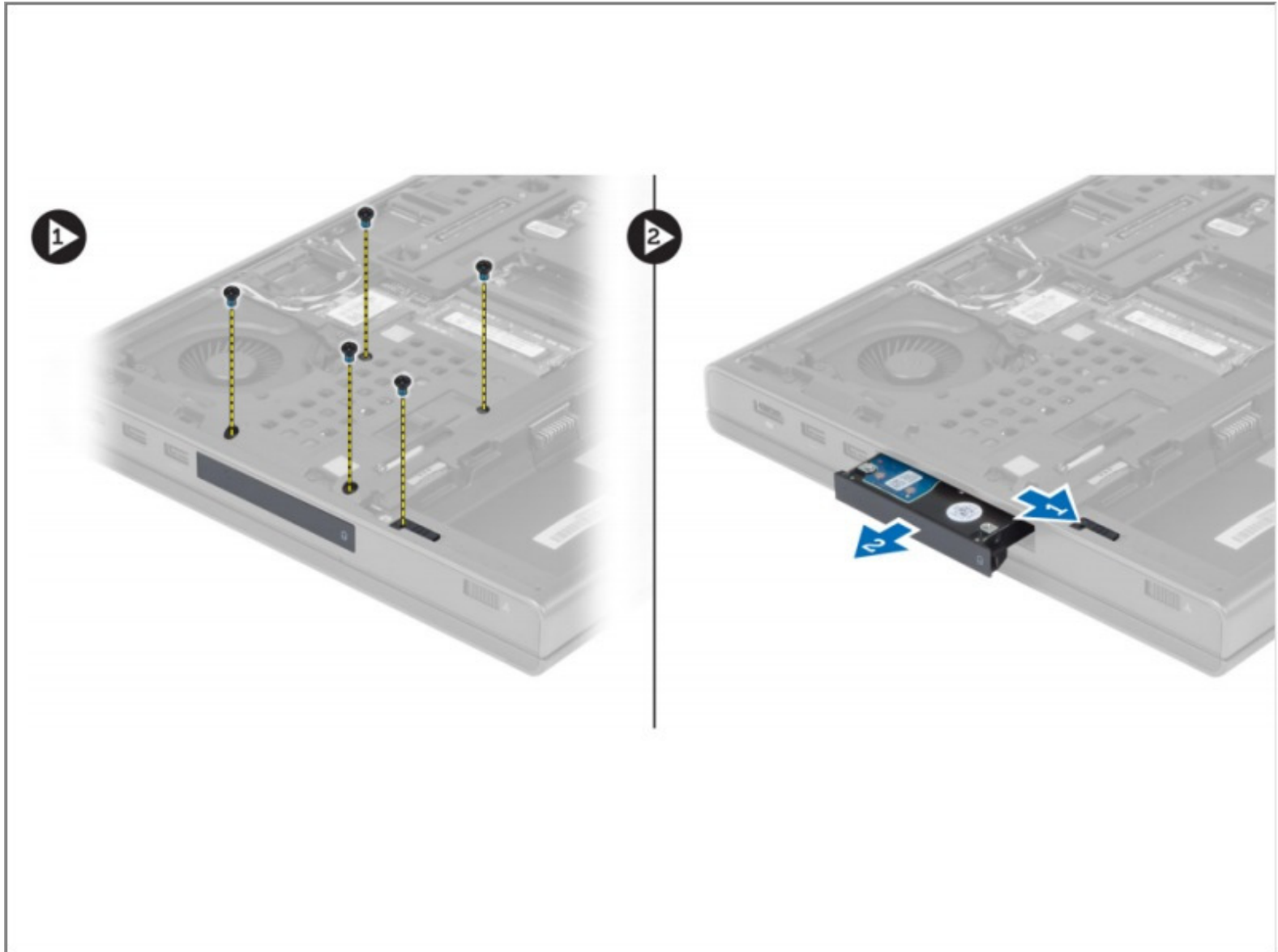




# Dell Precision M4700 Hard Drive Replacement

Written By: Johnathan Hammond



 **TOOLS:**

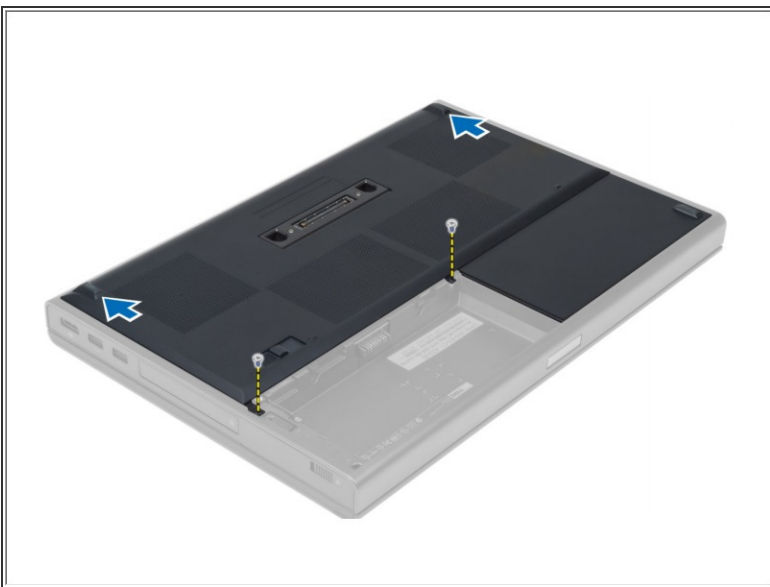
- [Phillips #0 Screwdriver](#) (1)
-

## Step 1 — Battery



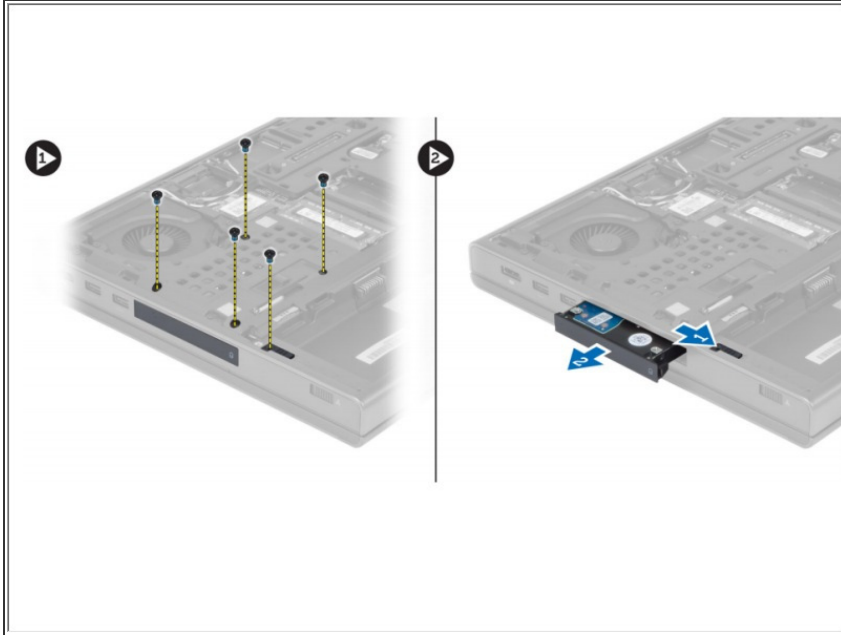
- Slide the release latch to unlock the battery.
- Flip and remove the battery from the computer.

## Step 2 — Base Cover



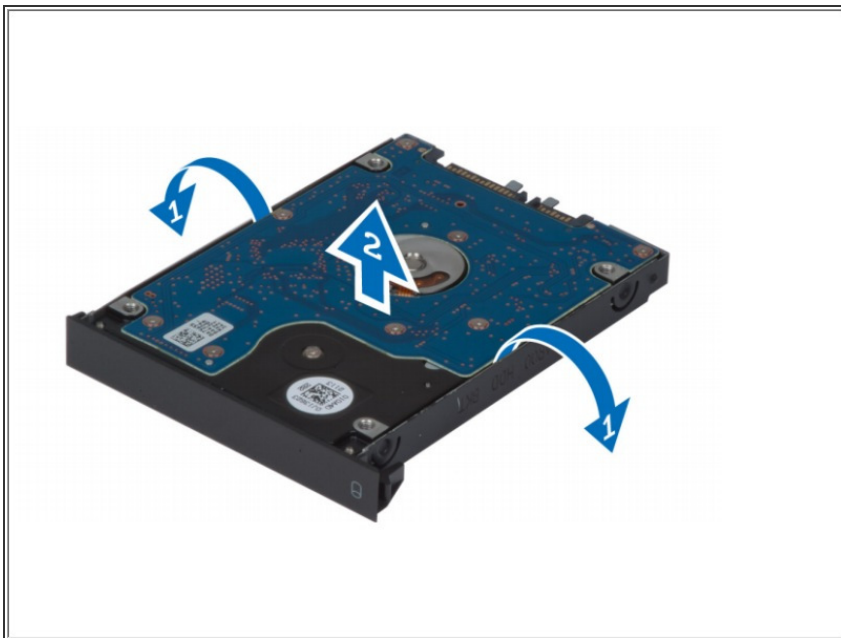
- Remove the screws that secure the base cover to the computer. Press the rubber tabs towards the rear of the computer to disengage the base cover.
- Flip and remove the base cover from the computer.

## Step 3 — Hard Drive



- Remove the screws that secure the hard drive to the computer. Slide the hard-drive latch to the unlock position and pull out the hard drive from the computer.

## Step 4



- Flex the hard-drive bracket outward and pull out the hard drive from the bracket.
- ⓘ NOTE: A rubber filler is installed to the hard-drive bracket for 7 mm hard drives. It is designed to prevent vibrations and for correct installation of the 7 mm hard drives. 9 mm hard drives do not require the filler when installed into the hard-drive bracket.

To reassemble your device, follow these instructions in reverse order.