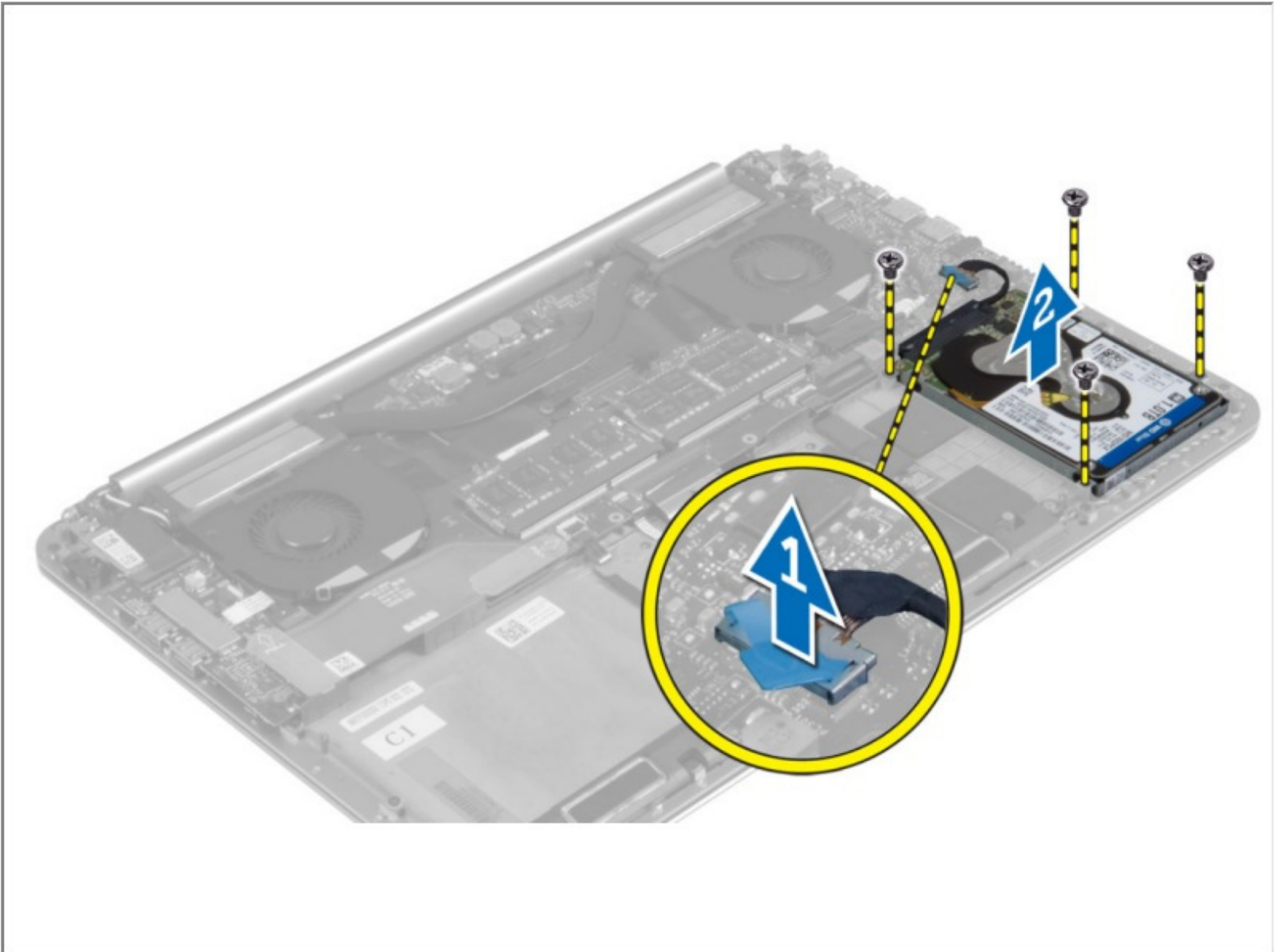




# Dell Precision M3800 Hard Drive Replacement

Written By: Johnathan Hammond



 **TOOLS:**

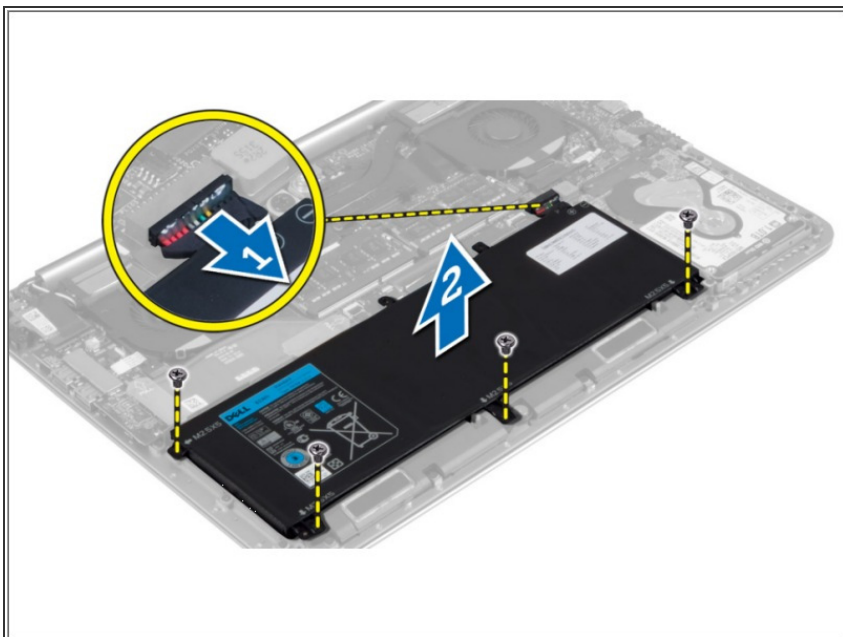
- [T5 Torx Screwdriver](#) (1)
  - [Phillips #0 Screwdriver](#) (1)
-

## Step 1 — Base Cover



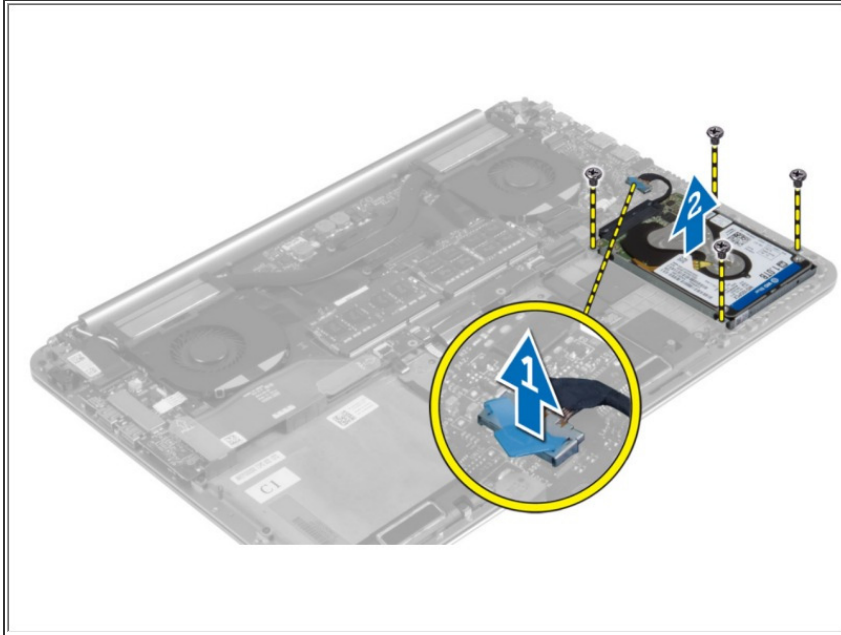
- Turn the system badge fap over and place it on the base cover.
  - Remove the screws that secure the base cover to the computer. Release and remove the base cover from the computer.
- ⓘ NOTE: To remove the screws from the base cover, use a T5 Torx screwdriver.
  - Lift up and remove the base cover from the computer.

## Step 2 — Battery



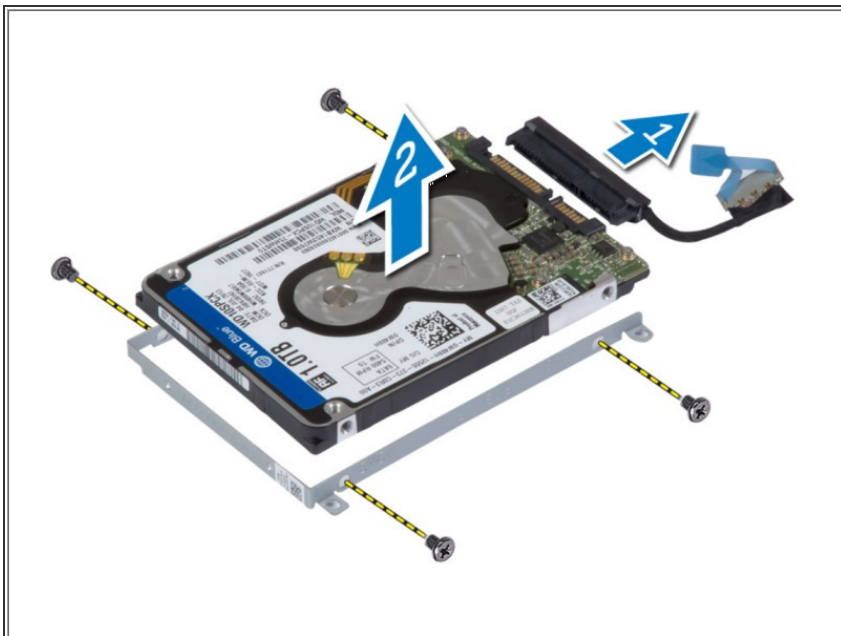
- Disconnect the battery cable from the system board [1].
- Remove the screws that secure the battery to the computer.
- Lift the battery off the computer [2].

## Step 3 — Hard Drive



- Disconnect the hard-drive cable from the system board [1].
- Remove the screws that secure the hard drive to the computer.
- Lift the hard drive off the computer [2].

## Step 4



- Disconnect the hard-drive cable from the hard drive [1].
- Remove the screws that secure the hard-drive bracket to the hard drive.
- Lift the hard drive off the hard-drive bracket [2].

To reassemble your device, follow these instructions in reverse order.