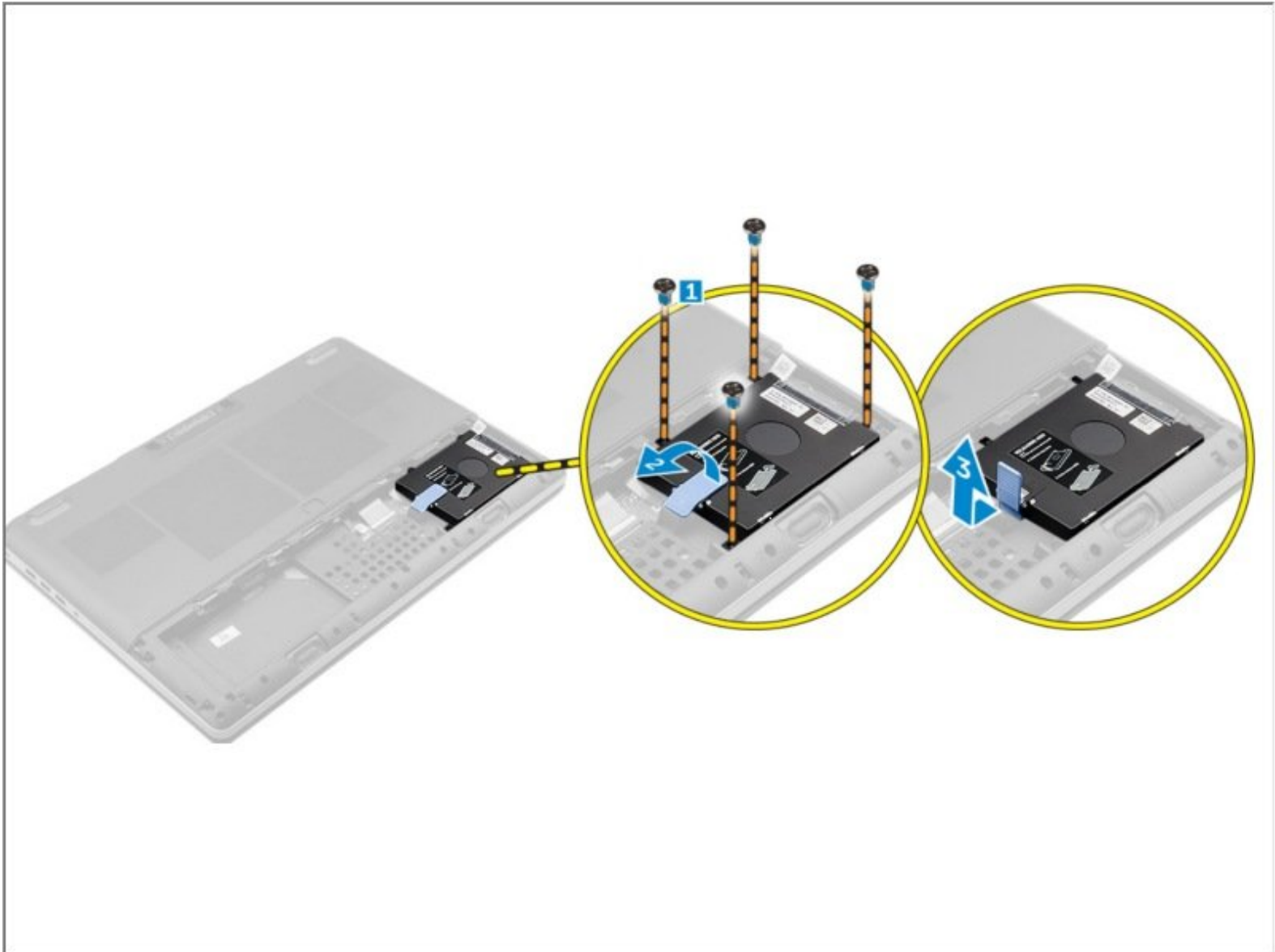




# Dell Precision 7710 Hard Drive Replacement

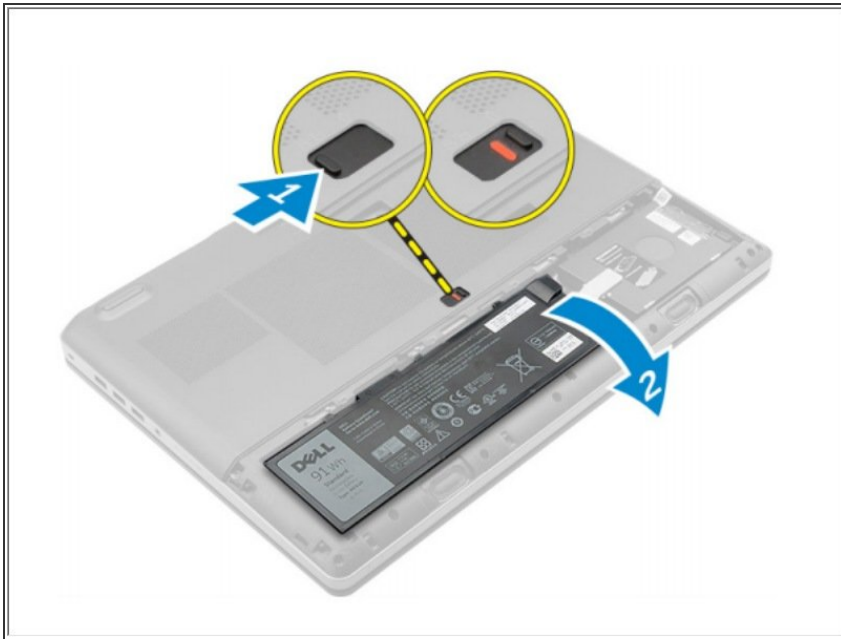
Written By: Johnathan Hammond



 **TOOLS:**

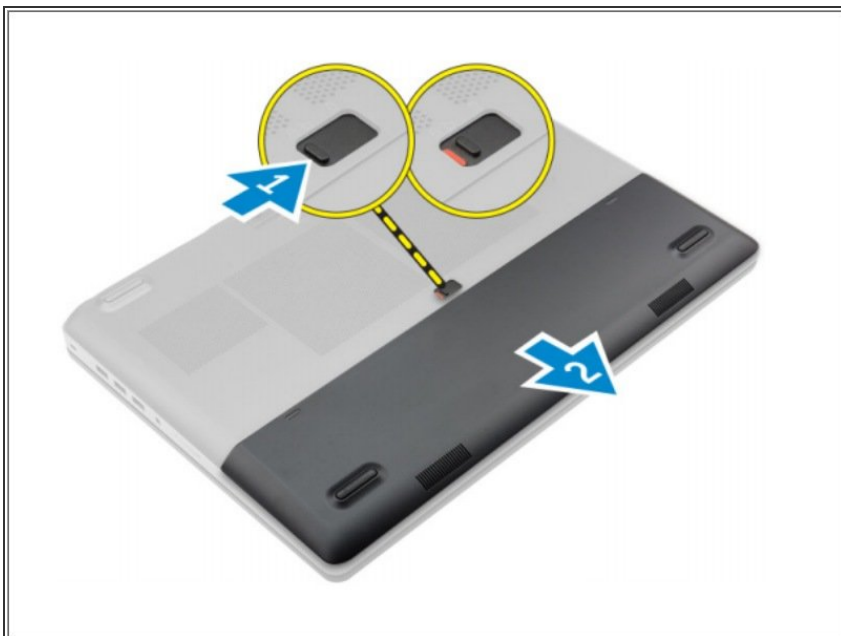
- [Phillips #0 Screwdriver](#) (1)
-

## Step 1 — Battery



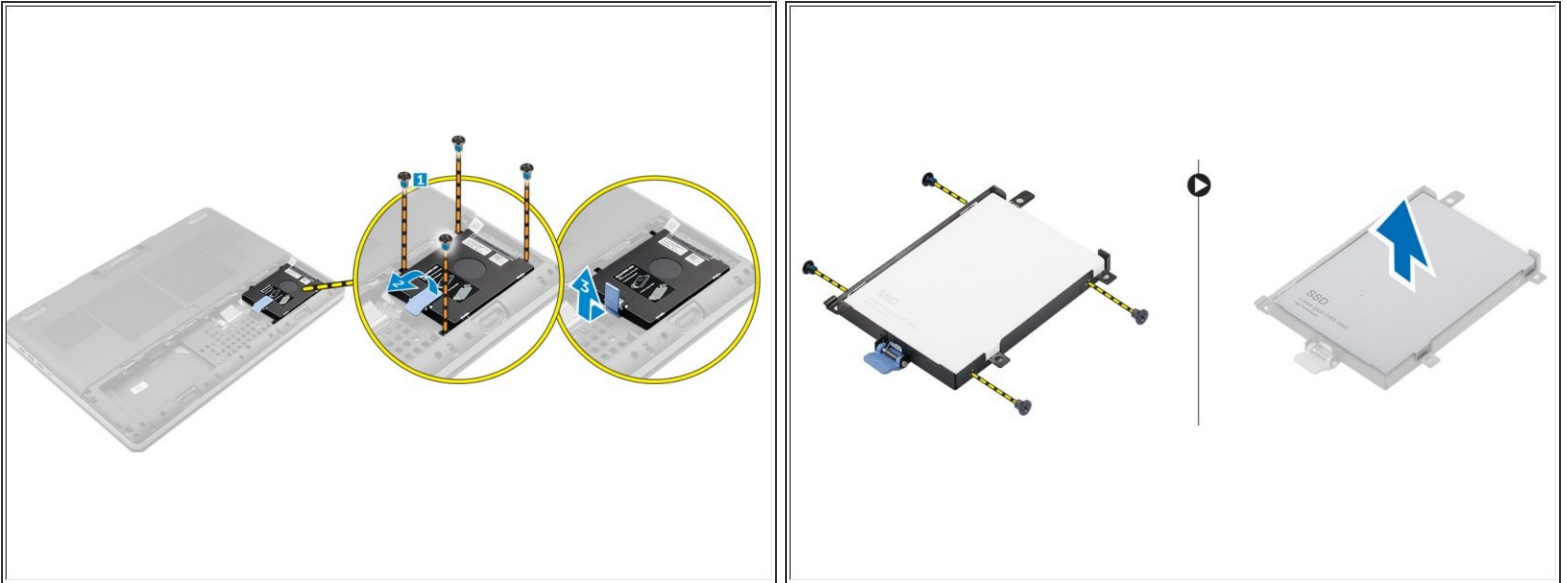
- Slide the release latch to unlock the battery [1].
- Lift and remove the battery from the computer [2].

## Step 2 — Battery Cover



- Slide the release latch to unlock the battery cover [1].
- Slide and lift the battery cover to remove it from the computer [2].

## Step 3 — Hard Drive



- Remove the screws that secure the hard drive to the computer [1].
- Lift the hard-drive latch to the unlock position [2].
- Slide and lift the hard drive from the computer [3].
  - Remove the screws that secure the hard drive. Lift the hard drive from the bracket.

To reassemble your device, follow these instructions in reverse order.