



Dell Precision 7520 KeyBoard Replacement

Written By: Johnathan Hammond



 **TOOLS:**

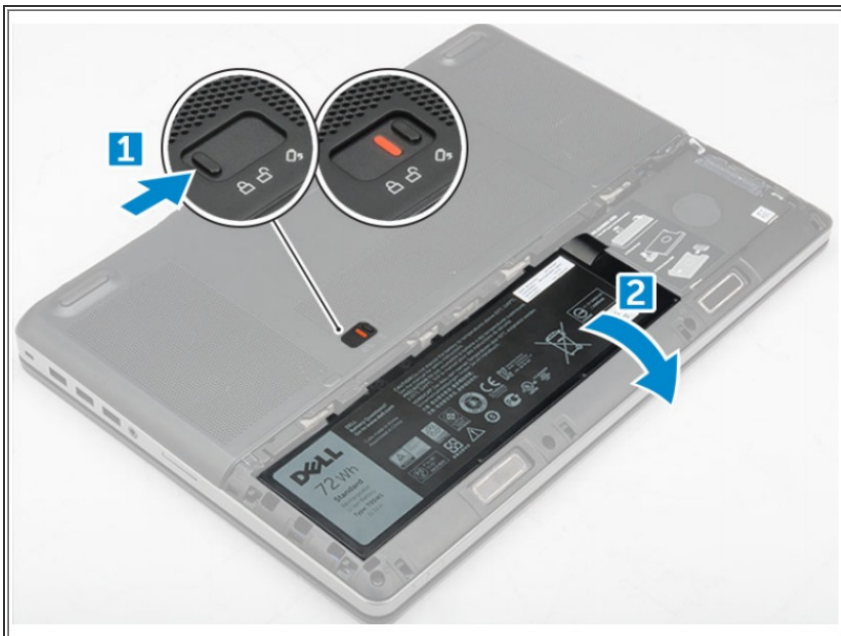
- [Phillips #0 Screwdriver](#) (1)
 - [Spudger](#) (1)
-

Step 1 — Battery Cover



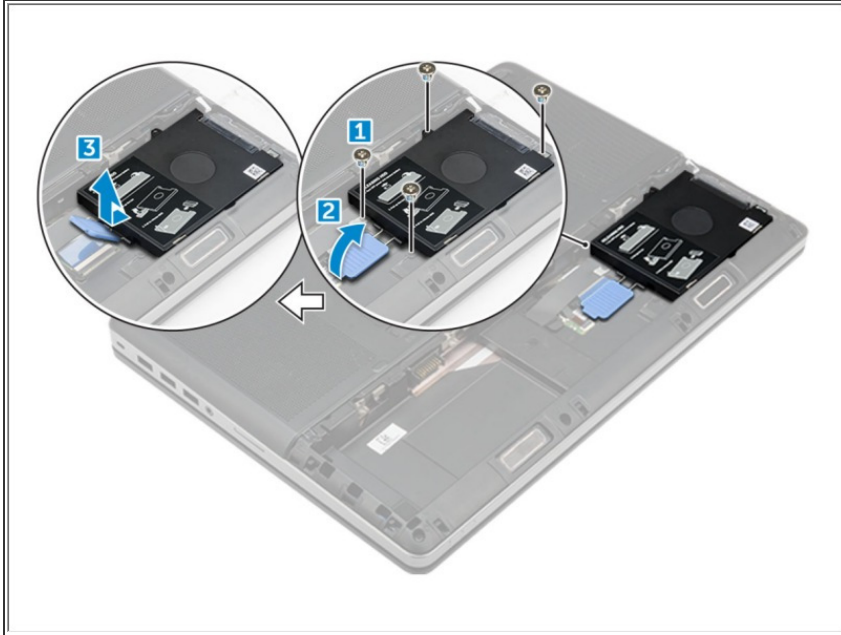
- Slide the release latch towards the unlock icon to release the battery cover [1].
- Slide and lift the battery cover to remove it from the computer [2].

Step 2 — Battery



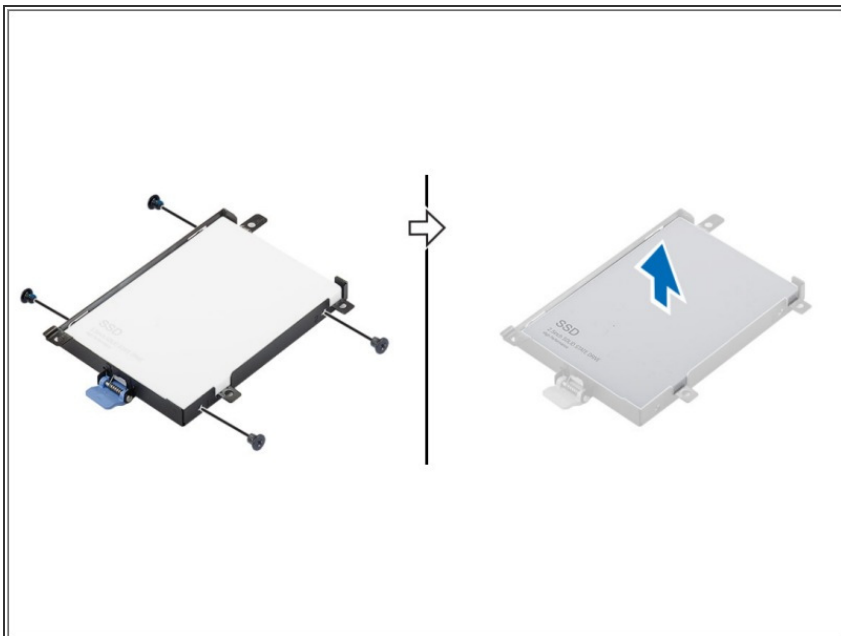
- Slide the release latch towards from the unlock icon to unlock the battery[1].
- Lift and remove the battery from the computer [2].

Step 3 — Hard Drive



- Remove the M3.0x3.0 screws that secure the hard drive to the computer [1].
- Lift the hard drive latch to release the hard drive [2].
- Slide and lift the hard drive from the computer [3].

Step 4



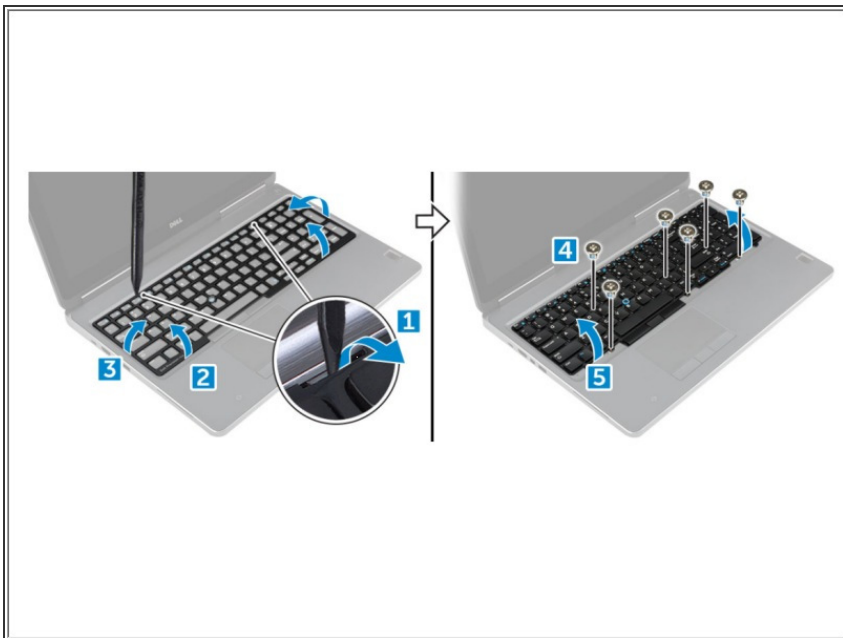
- Remove the M3.0x3.0 screws that secure the hard drive. Lift the hard drive from the bracket.

Step 5 — KeyBoard



- Peel the tape to access the keyboard cable [1].
- Disconnect the keyboard cables from the system board [2]

Step 6



- Using plastic scribe pry the keyboard trim from the bottom and work along the top edge and remove it from the computer [1, 2,3].
- Remove the M2.0x2.5 screws that secure the keyboard to the computer [4].
- Lift and slide the keyboard to remove it away from the computer [5].

To reassemble your device, follow these instructions in reverse order.