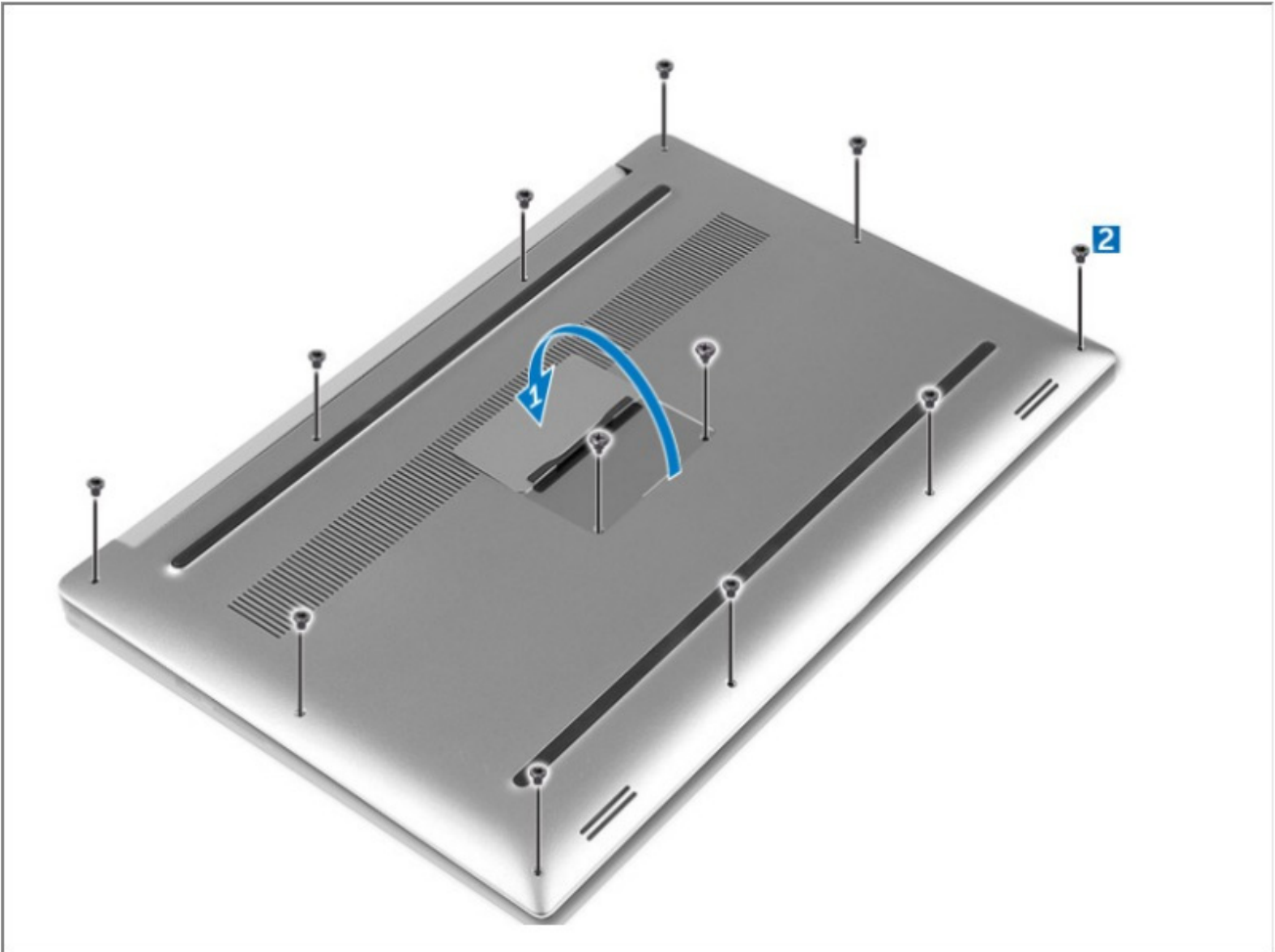




# Dell Precision 5510 Base Cover Replacement

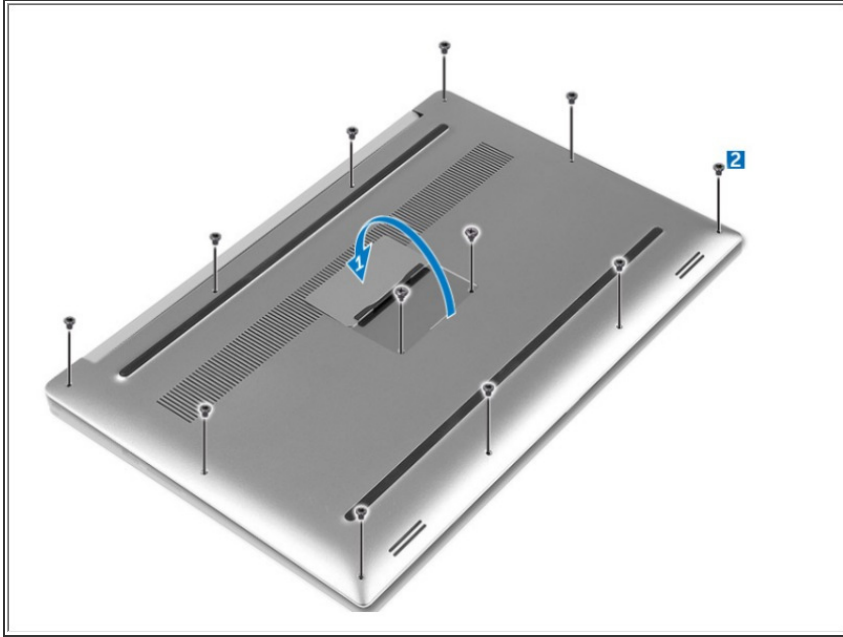
Written By: Johnathan Hammond



 **TOOLS:**

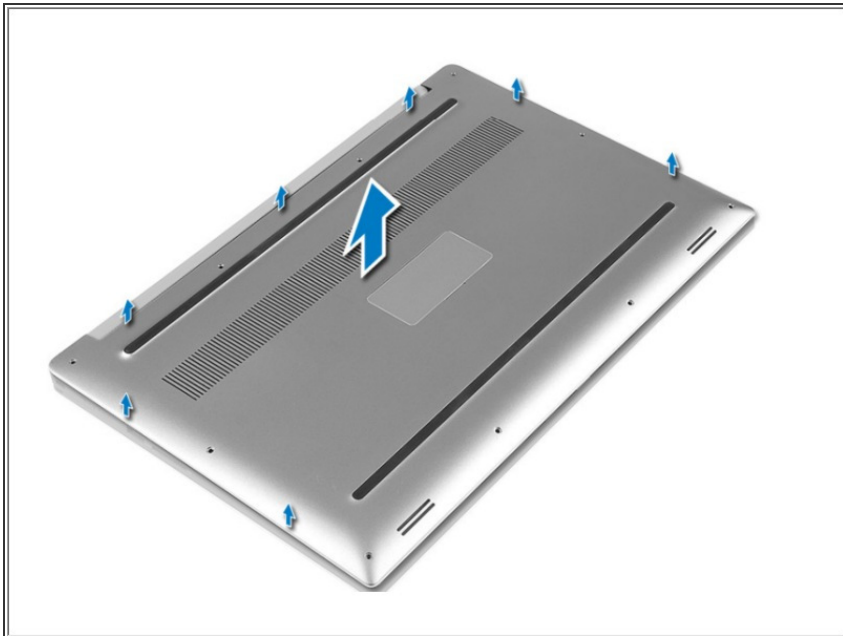
- [Phillips #0 Screwdriver](#) (1)
-

## Step 1 — Base Cover



- Turn the system badge up over (1) and then remove the screws that secure the base cover to the computer (2).

## Step 2



- Pry the edges base cover and lift it to remove it from computer.

To reassemble your device, follow these instructions in reverse order.