



Dell Inspiron 14 M4040 Hard Drive Replacement

Written By: Terrence15



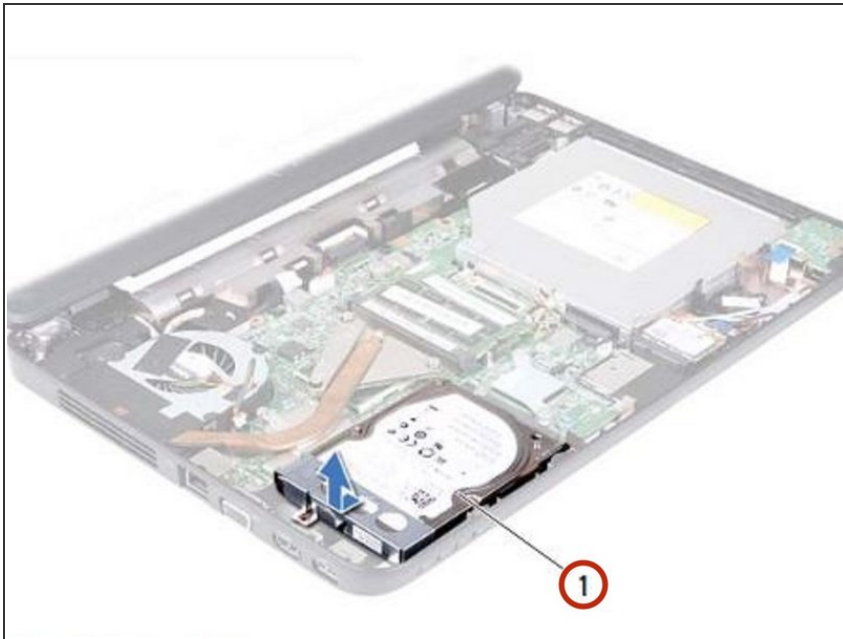
INTRODUCTION

In this guide, we will be showing you how to remove and replace the Hard Drive.

TOOLS:

- [Phillips #0 Screwdriver](#) (1)
-

Step 1 — Disconnecting the Hard-Drive Assembly



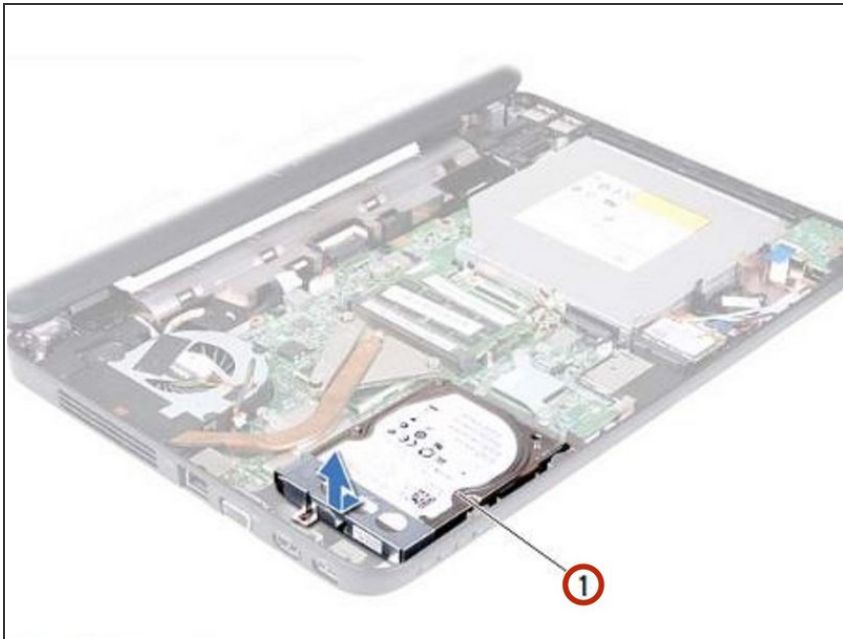
⚠ WARNING: Before working inside your computer, read the safety information that shipped with your computer. Follow the instructions in ["Before You Begin"](#).

⚠ CAUTION: To avoid electrostatic discharge, ground yourself by using a wrist grounding strap or by periodically touching an unpainted metal surface (such as a connector on your computer).

⚠ CAUTION: Hard drives are extremely fragile. Exercise care when handling the hard drive.

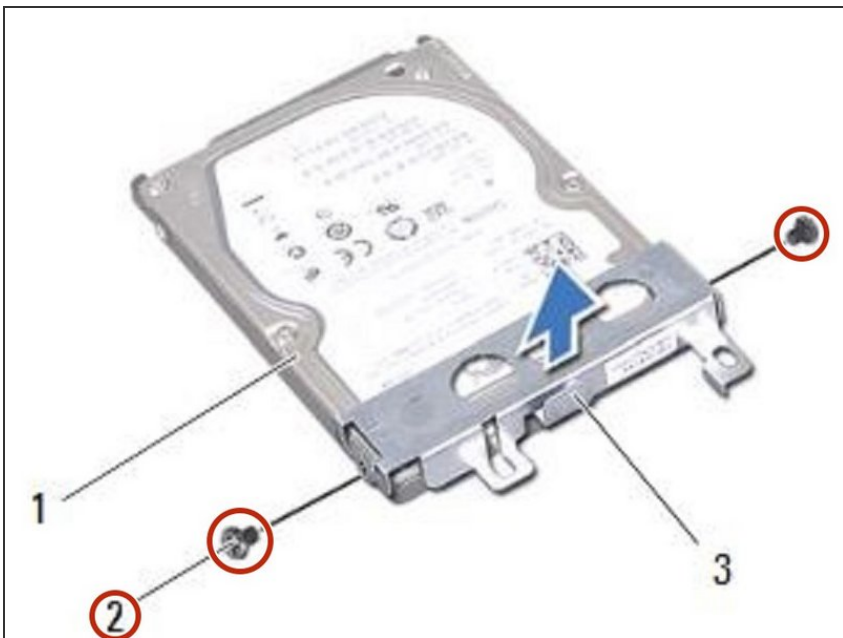
- Slide the hard-drive assembly to the left to disconnect it from the connector on the system board.

Step 2 — Lifting the Hard-Drive Assembly



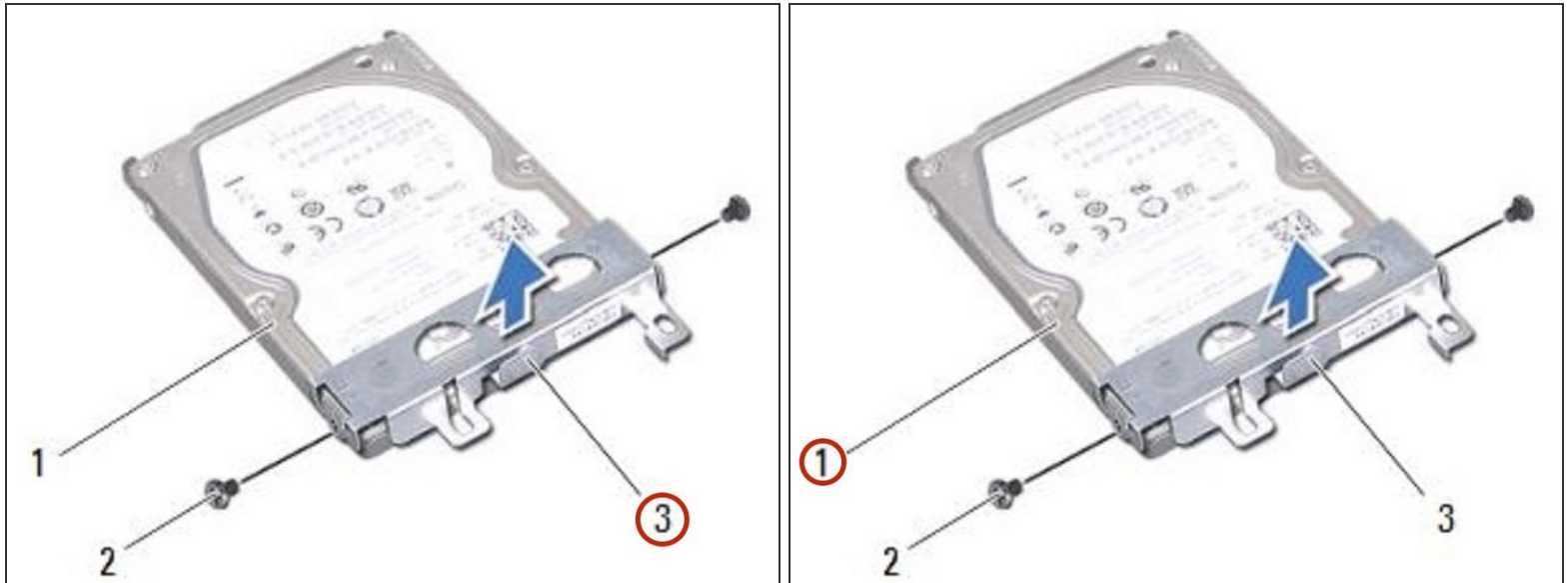
- Lift the hard-drive assembly out of the computer base.

Step 3 — Remove the Screws



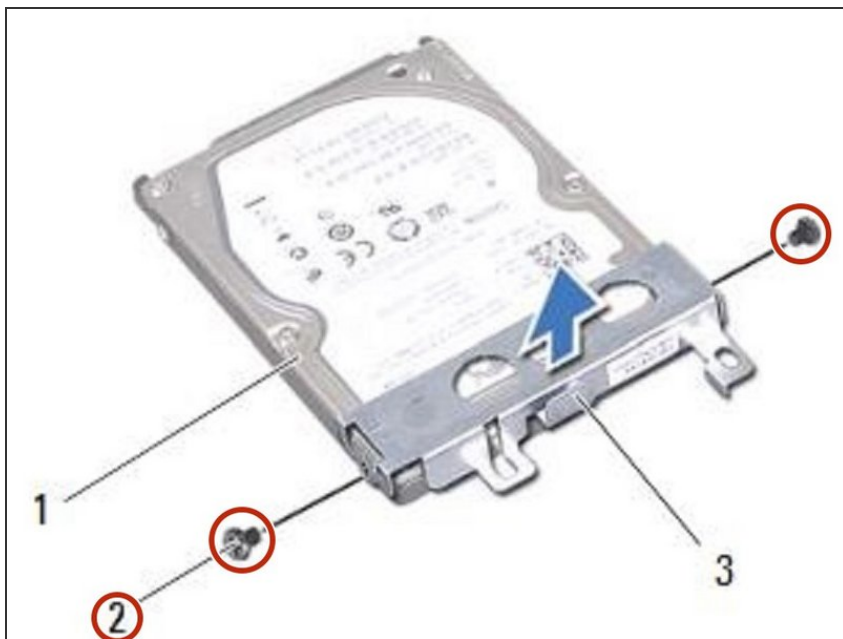
- Remove the two screws that secure the hard-drive bracket to the hard drive.

Step 4 — Placing the Hard Drive



- Place the hard-drive bracket on the **NEW** hard drive.

Step 5 — Replace the Two Screws



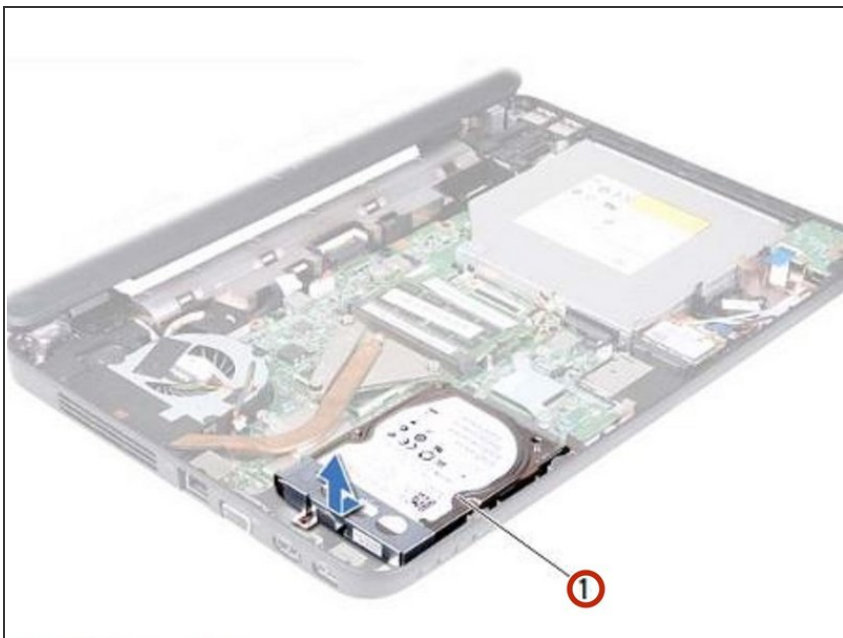
- Replace the two screws that secure the hard-drive bracket to the hard drive.

Step 6 — Placing the Hard Drive Assembly



- Place the hard-drive assembly on the computer base.

Step 7 — Pushing the Hard-Drive Assembly



- Push the hard-drive assembly towards the right to connect it to the connector on the system board.