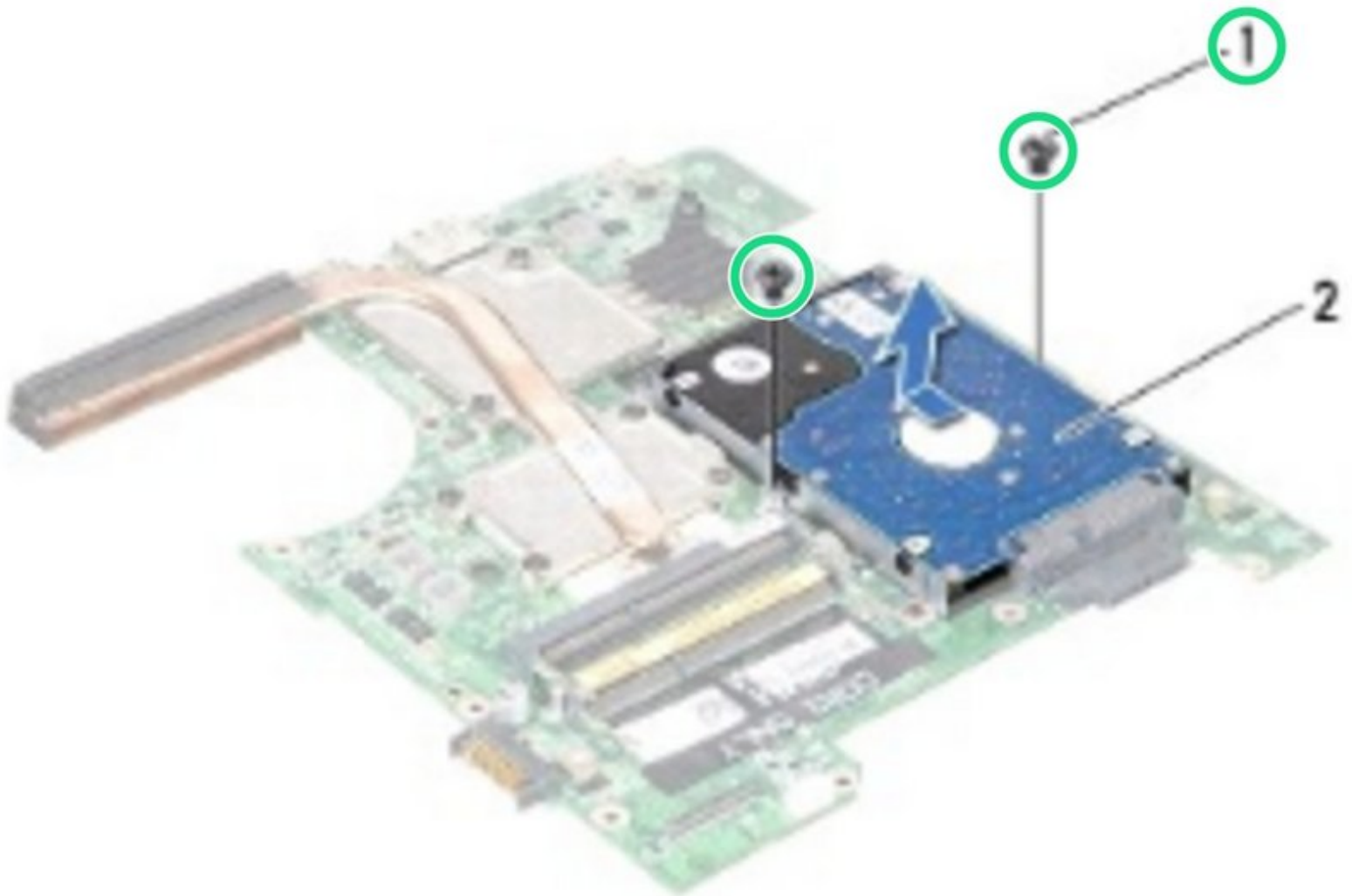




Dell Inspiron N4010 Hard Drive Replacement

Written By: Terrence15



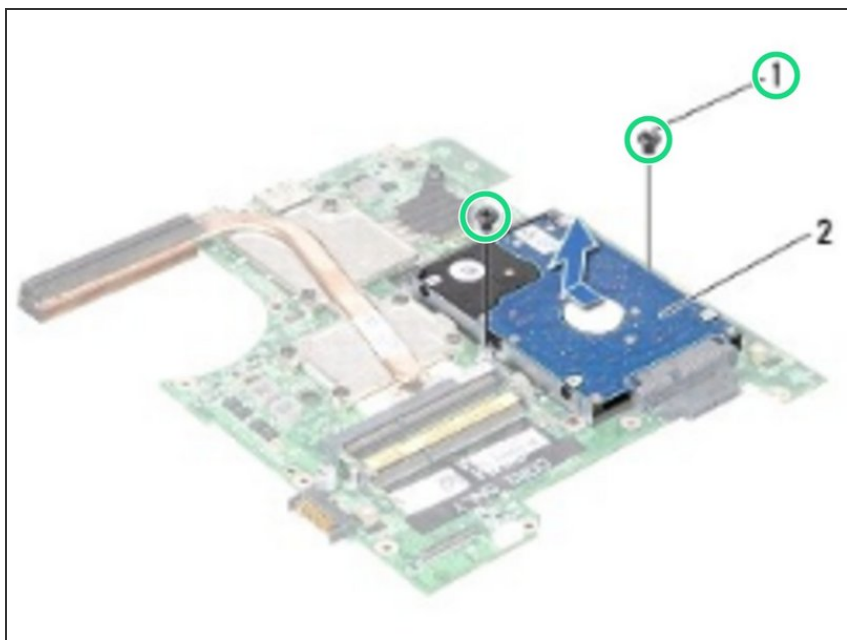
INTRODUCTION

In this guide, we will be showing you how to remove and replace the Hard Drive.

TOOLS:

- [Essential Electronics Toolkit \(1\)](#)
-

Step 1 — Remove the Screws

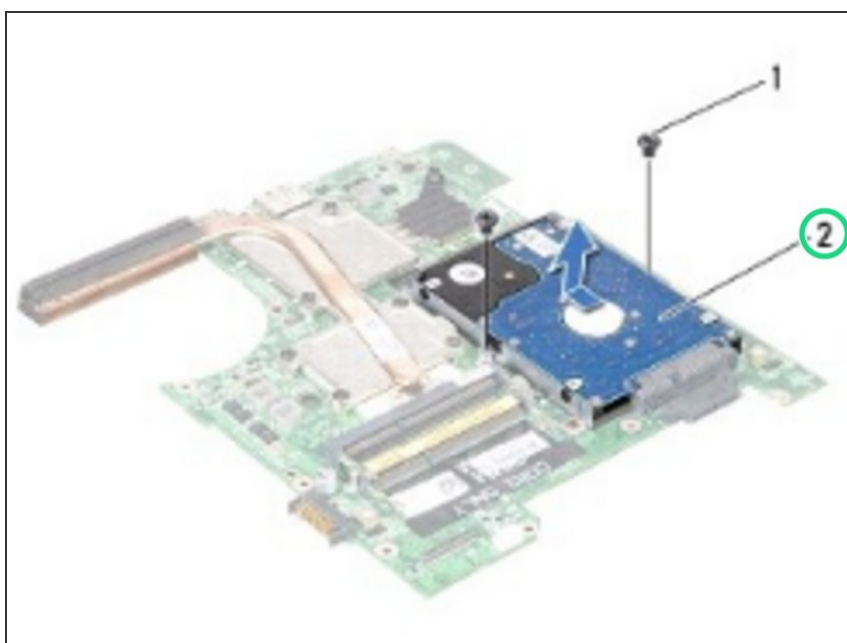


⚠ WARNING: Before working inside your computer, read the safety information that shipped with your computer. Follow the instructions in [Before You Begin](#).

⚠ CAUTION: To avoid electrostatic discharge, ground yourself by using a wrist grounding strap or by periodically touching an unpainted metal surface (such as a connector on your computer).

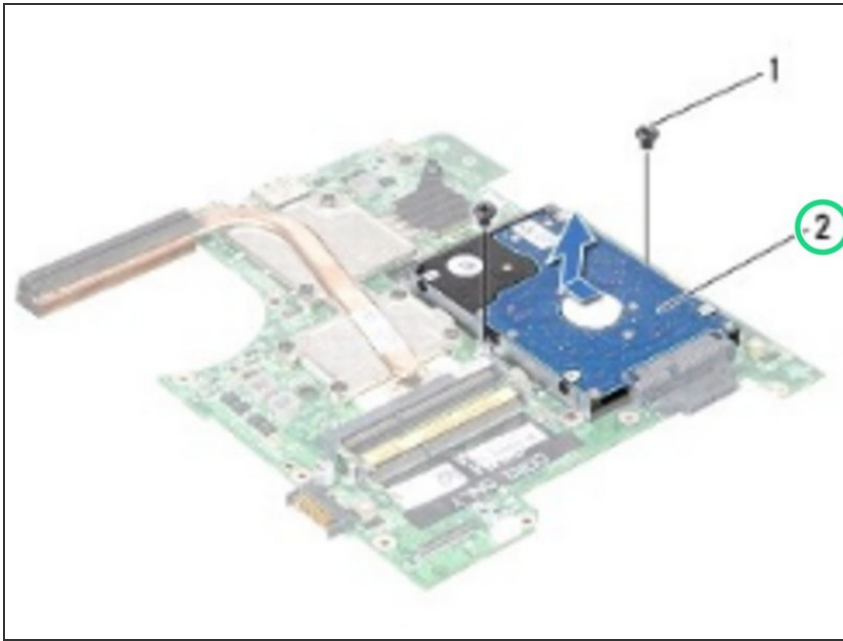
- Remove the two screws that secure the hard-drive assembly to the system board.

Step 2 — Sliding the Hard-Drive Assembly



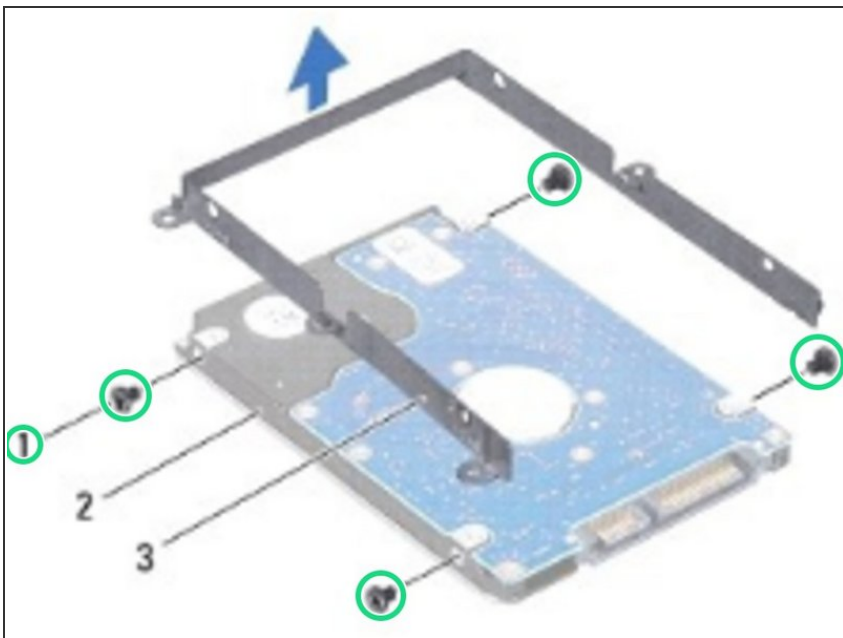
- Slide the hard-drive assembly to disconnect it from the connector on the system board.

Step 3 — Lifting the Hard Drive Assembly



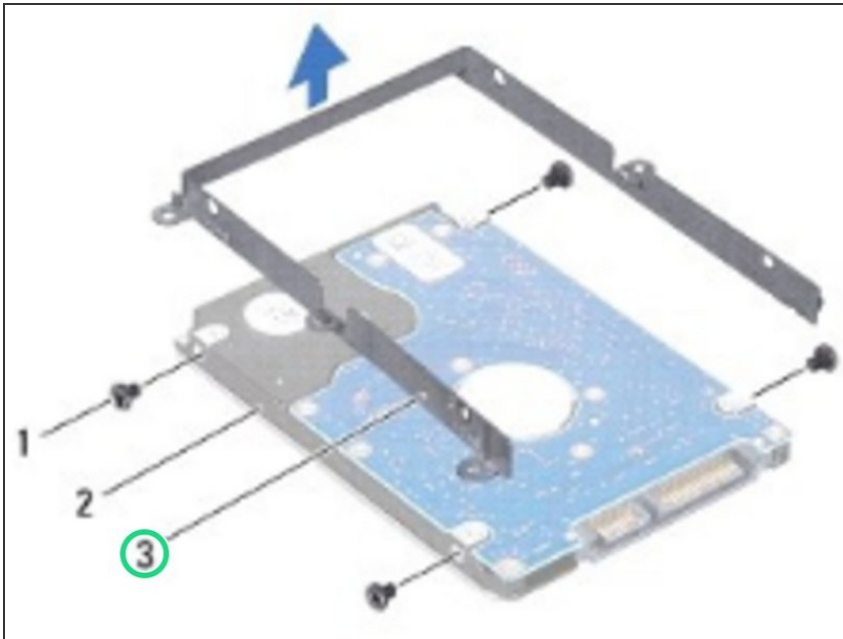
- Lift the hard-drive assembly away from the system board.

Step 4 — Remove the Screws



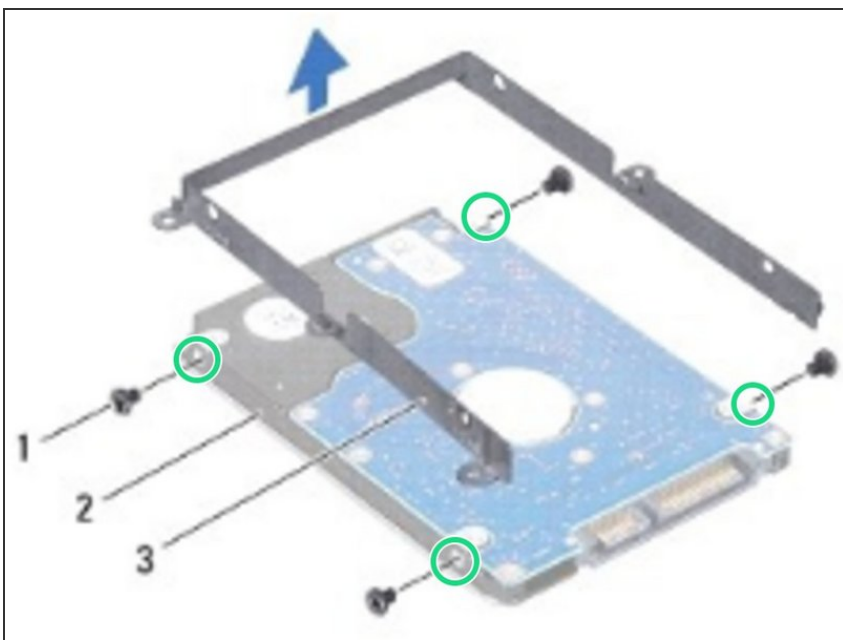
- Remove the four screws that secure the hard-drive bracket to the hard drive.

Step 5 — Lifting the Hard-Drive Bracket



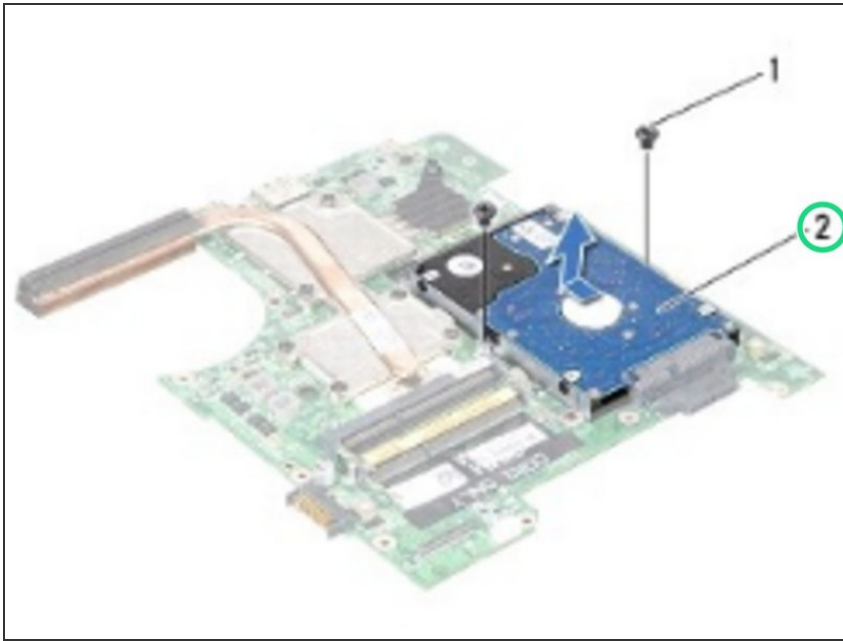
- Lift the hard-drive bracket off the hard drive.

Step 6 — Align the Screw Holes



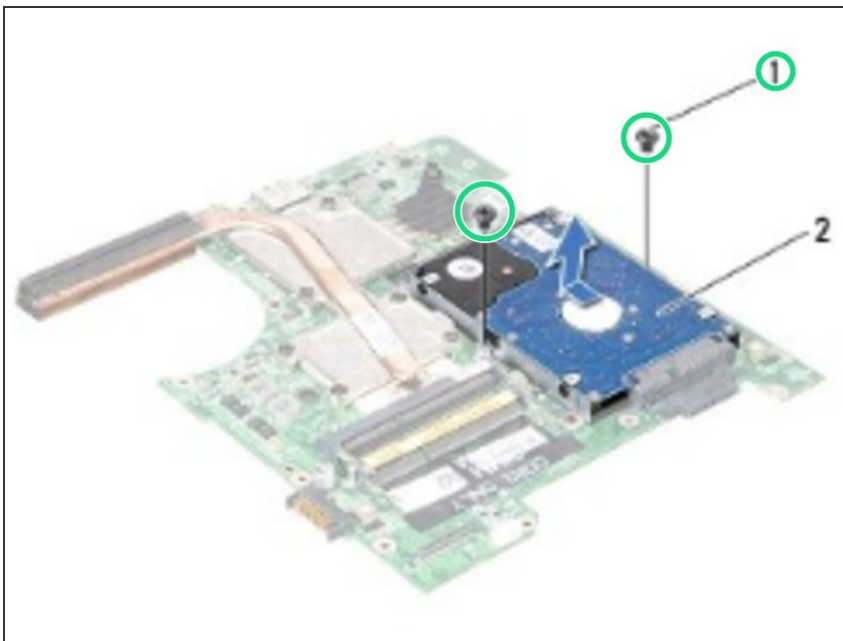
- Align the screw holes on the hard-drive bracket with the screw holes on the **NEW** hard drive and replace the four screws.

Step 7 — Sliding the Hard-Drive Assembly



- Slide and push the hard-drive assembly to connect it to connector on the system board.

Step 8 — Replace the Screws



- Replace the two screws that secure the hard-drive assembly to the system board.