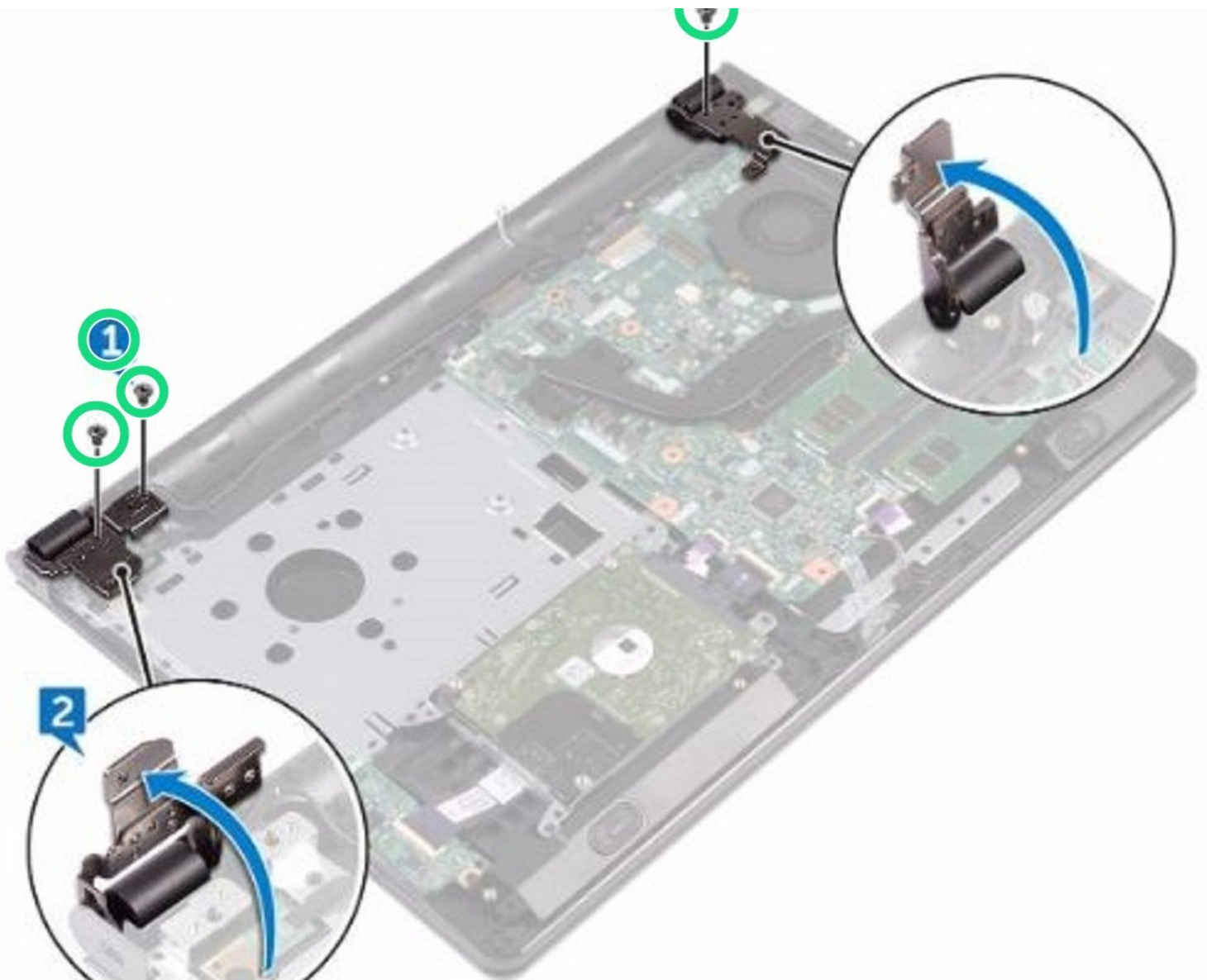




Dell Inspiron 15 3565 Display Assembly Replacement

Written By: Terrence15



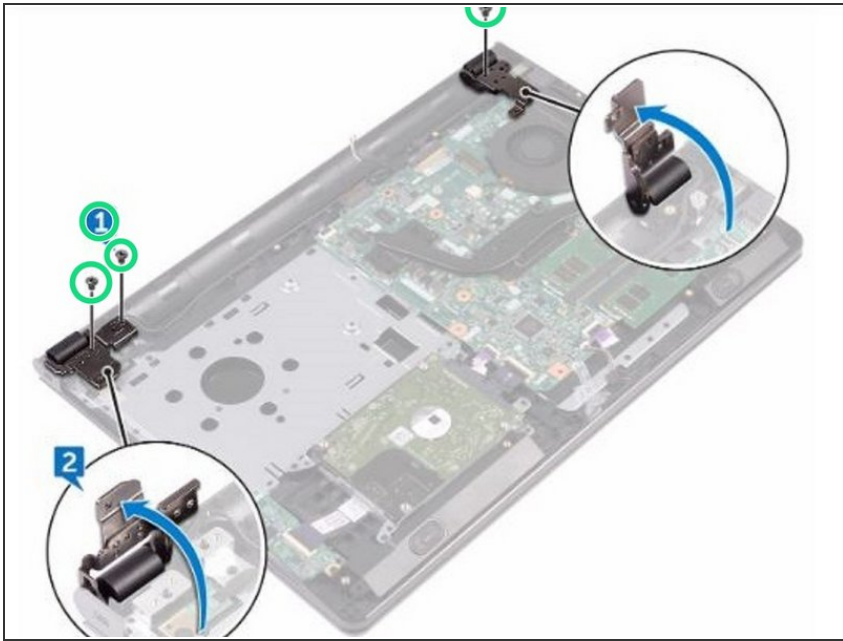
INTRODUCTION

In this guide, we will be showing you how to remove and replace the Display Assembly.

TOOLS:

- [Phillips #0 Screwdriver](#) (1)
-

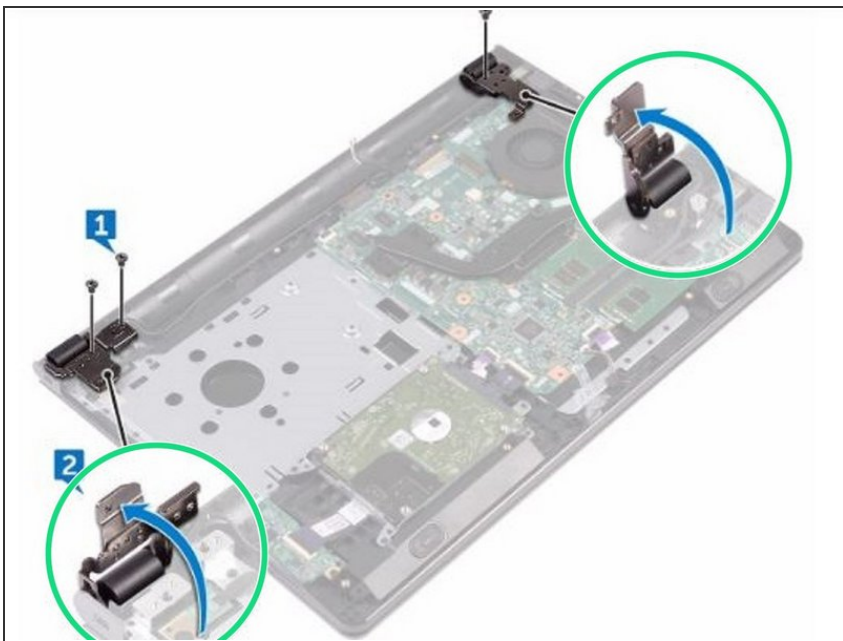
Step 1 — Remove the Screws



⚠ WARNING: Before working inside your computer, read the safety information that shipped with your computer and follow the steps in [Before Working Inside Your Computer](#). After working inside your computer, follow the instructions in [After Working Inside Your Computer](#).

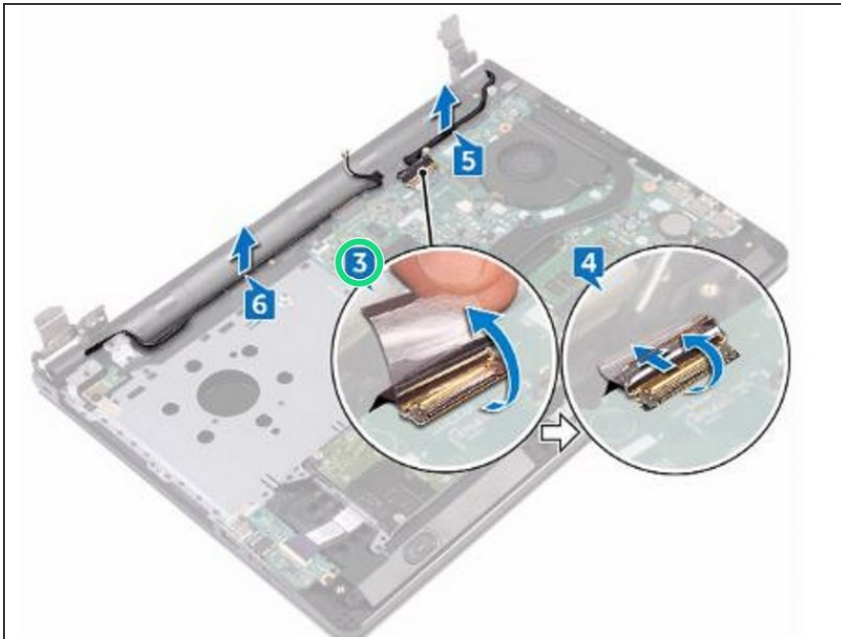
- Remove the three screws (2.5x8) that secure the display hinges to the palm-rest assembly.

Step 2 — Open the Display Hinges



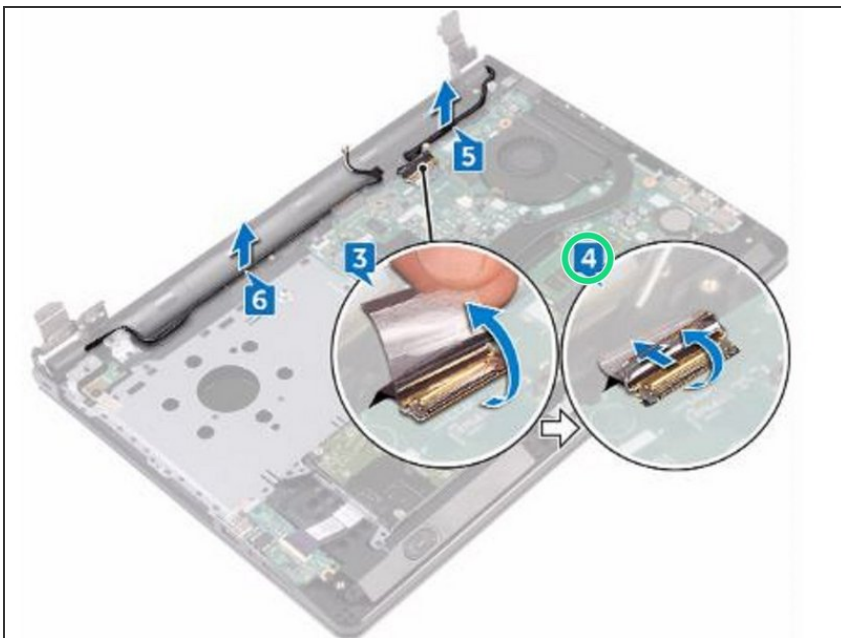
- Open the display hinges to an angle of 90 degrees.

Step 3 — Peeling the Tape



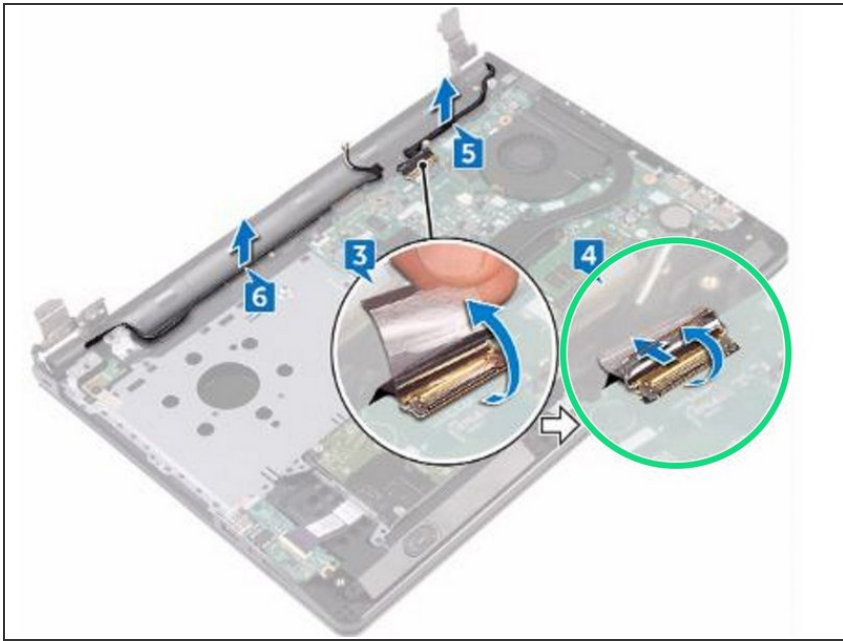
- Peel the tape that secures the display cable to the palm-rest assembly.

Step 4 — Open the Latch



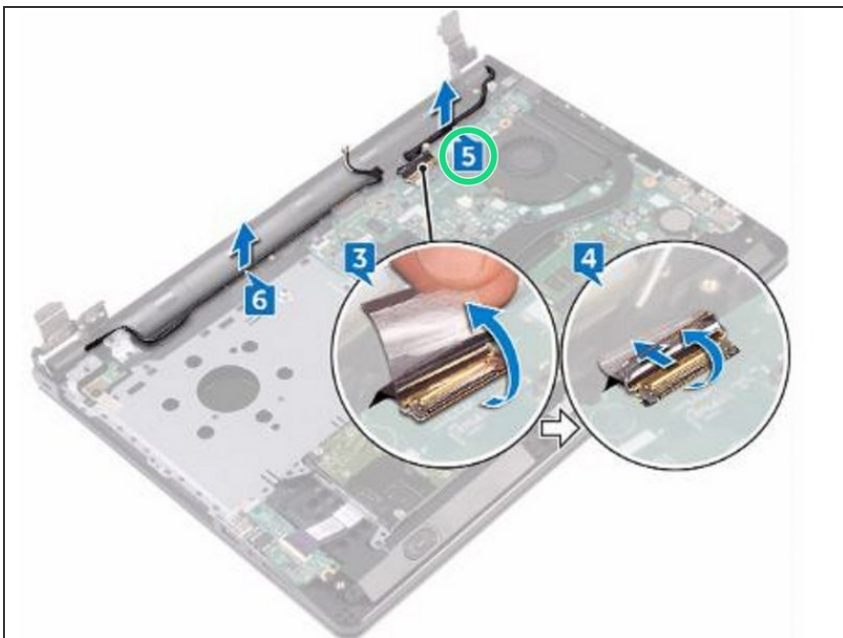
- Open the latch and disconnect the display cable.

Step 5 — Open the Latch



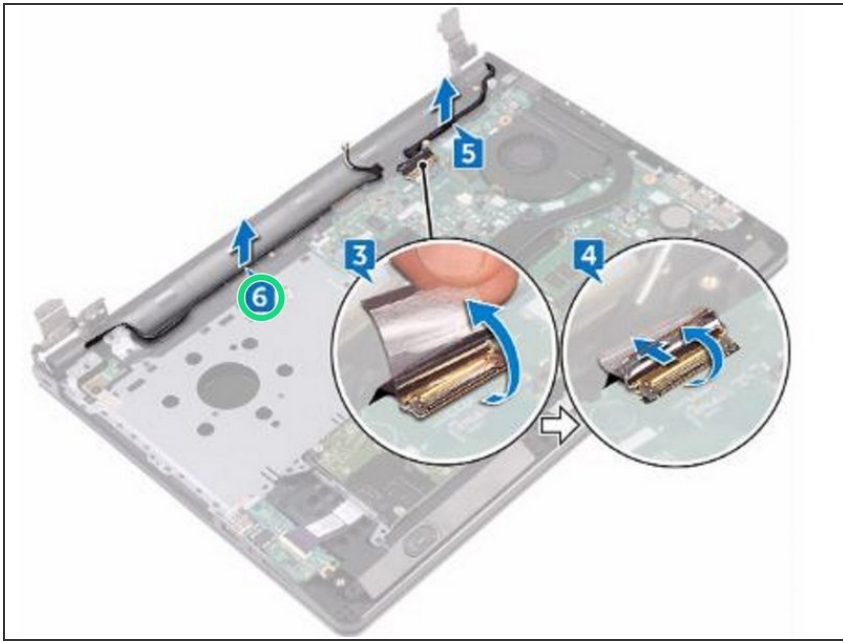
- Open the latch and disconnect the display cable.

Step 6 — Note the Routing



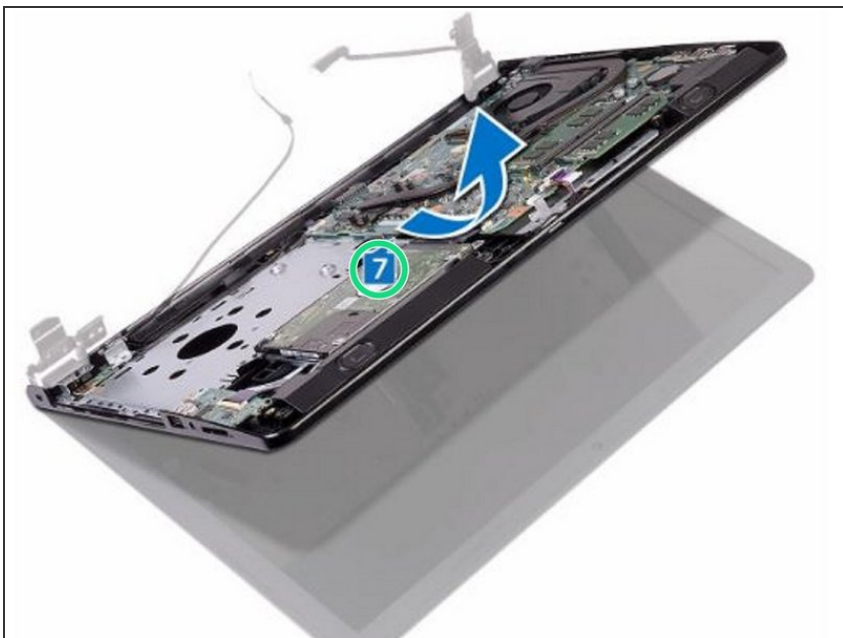
- Note the display cable routing and remove the display cable from the routing guides on the palm-rest assembly.

Step 7 — Note the Antenna Cable



- Note the antenna cable routing and remove the cable from its routing guides on the palm-rest assembly.

Step 8 — Open the Palm-Rest Assembly



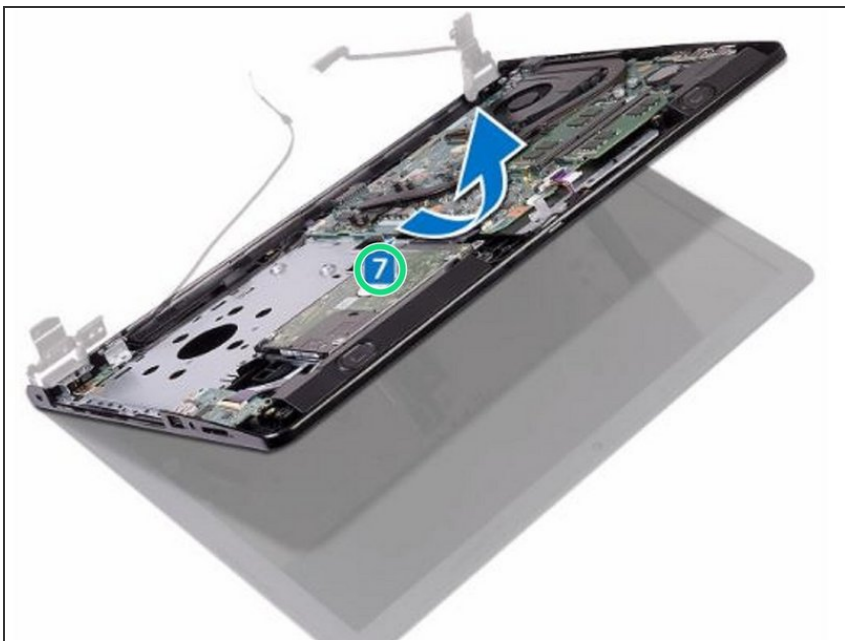
- Open the palm-rest assembly at an angle and slide it off the display assembly.

Step 9 — Placing the Display Assembly



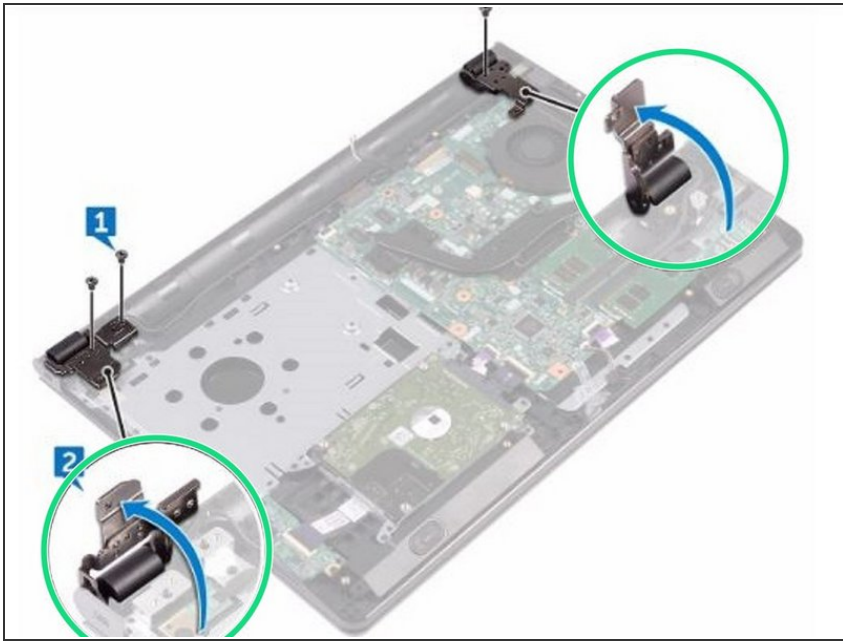
- Place the **NEW** display assembly on a clean, flat surface.

Step 10 — Placing the Palm-Rest Assembly



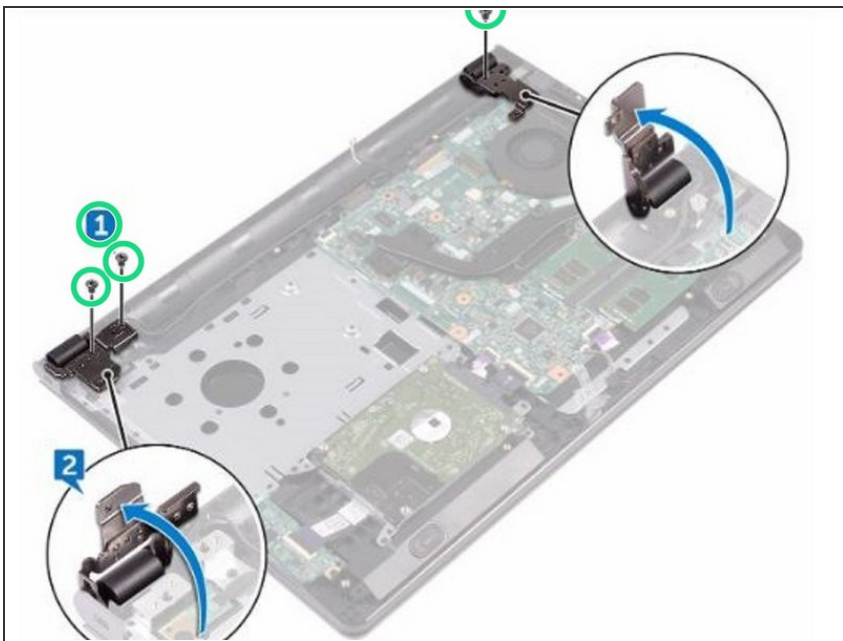
- Place the palm-rest assembly on the display assembly.

Step 11 — Close the Hinges



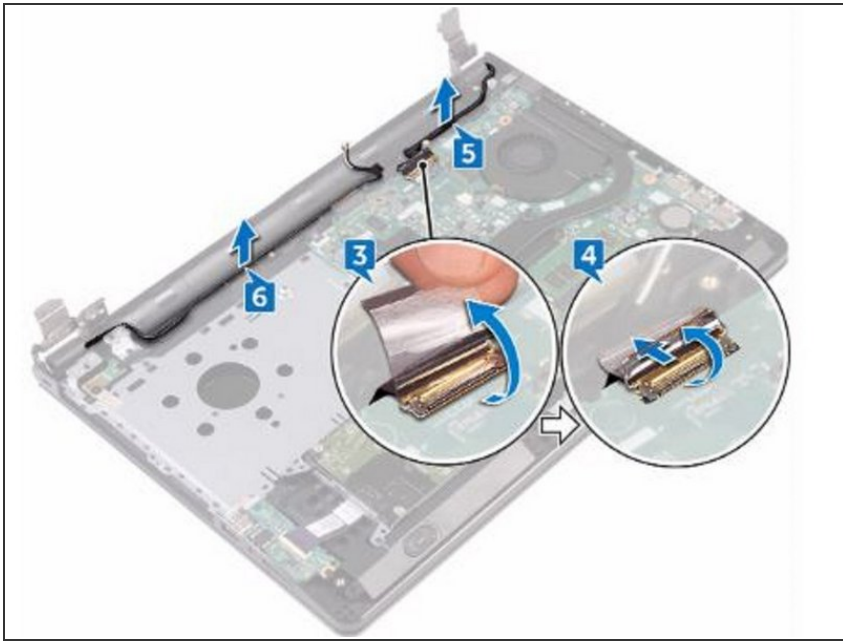
- Close the display hinges and align the screw holes on the display hinges with the screw holes on the palm-rest assembly.

Step 12 — Replace the Screws



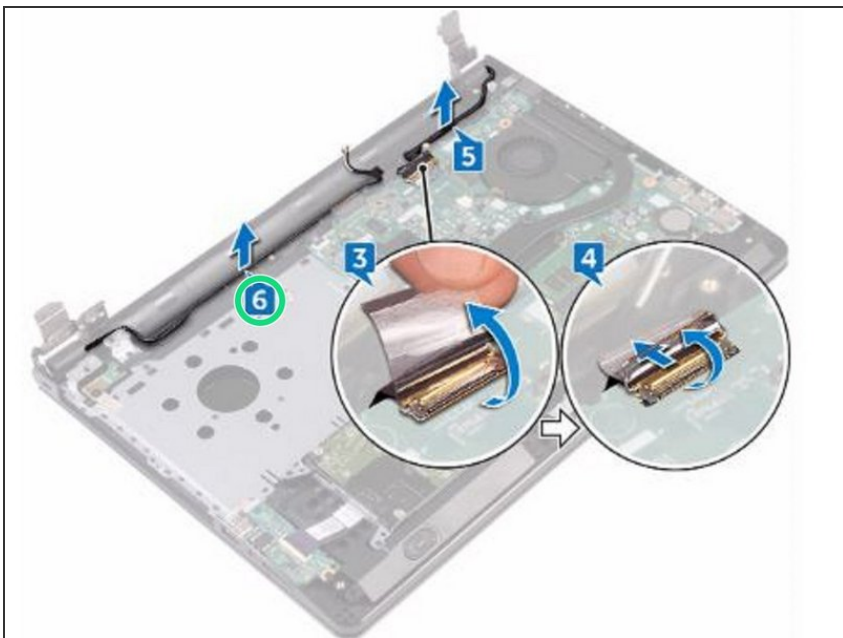
- Replace the three screws (2.5x8) that secure the display hinges to the palm-rest assembly.

Step 13 — Routing the Antenna Cables



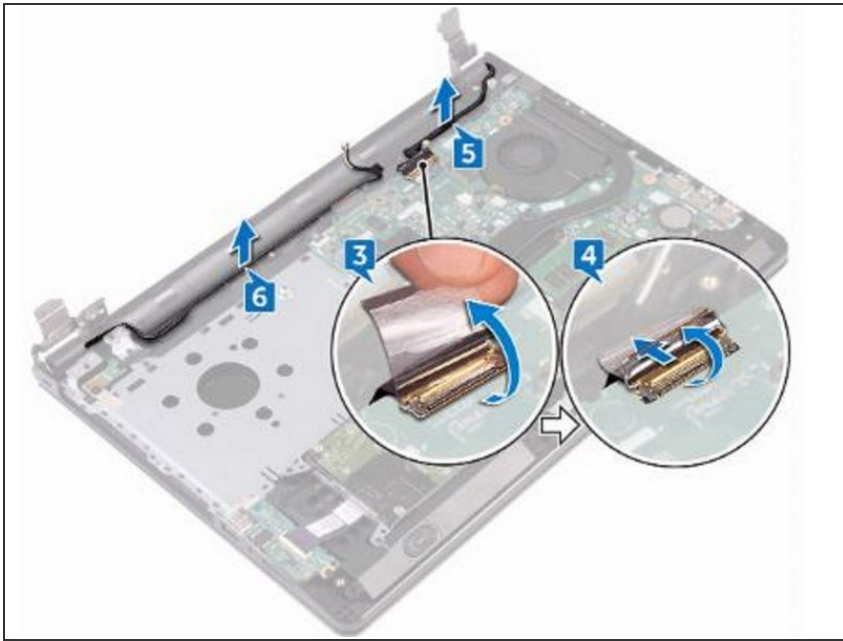
- Route the antenna cables through the routing guides on the palm-rest assembly.

Step 14 — Connecting the Display Cable



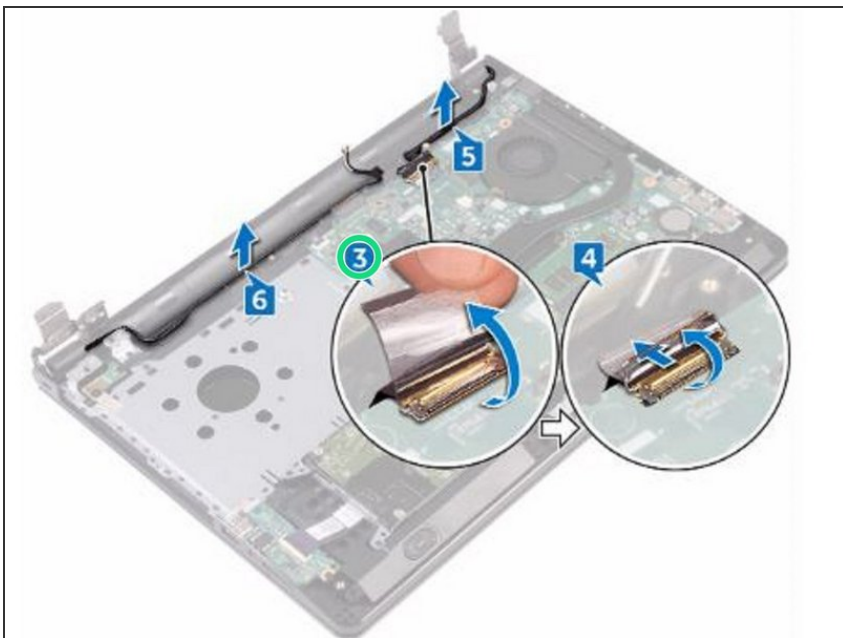
- Connect the display cable and close the latch to secure the cable.

Step 15 — Route the Display Cable



- Route the display cable through the routing guides on the palm-rest assembly

Step 16 — Adhering the Tape



- Adhere the tape that secures the display cable to the palm-rest assembly.

Step 17 — Close the Display



- Close the display and turn the computer over.