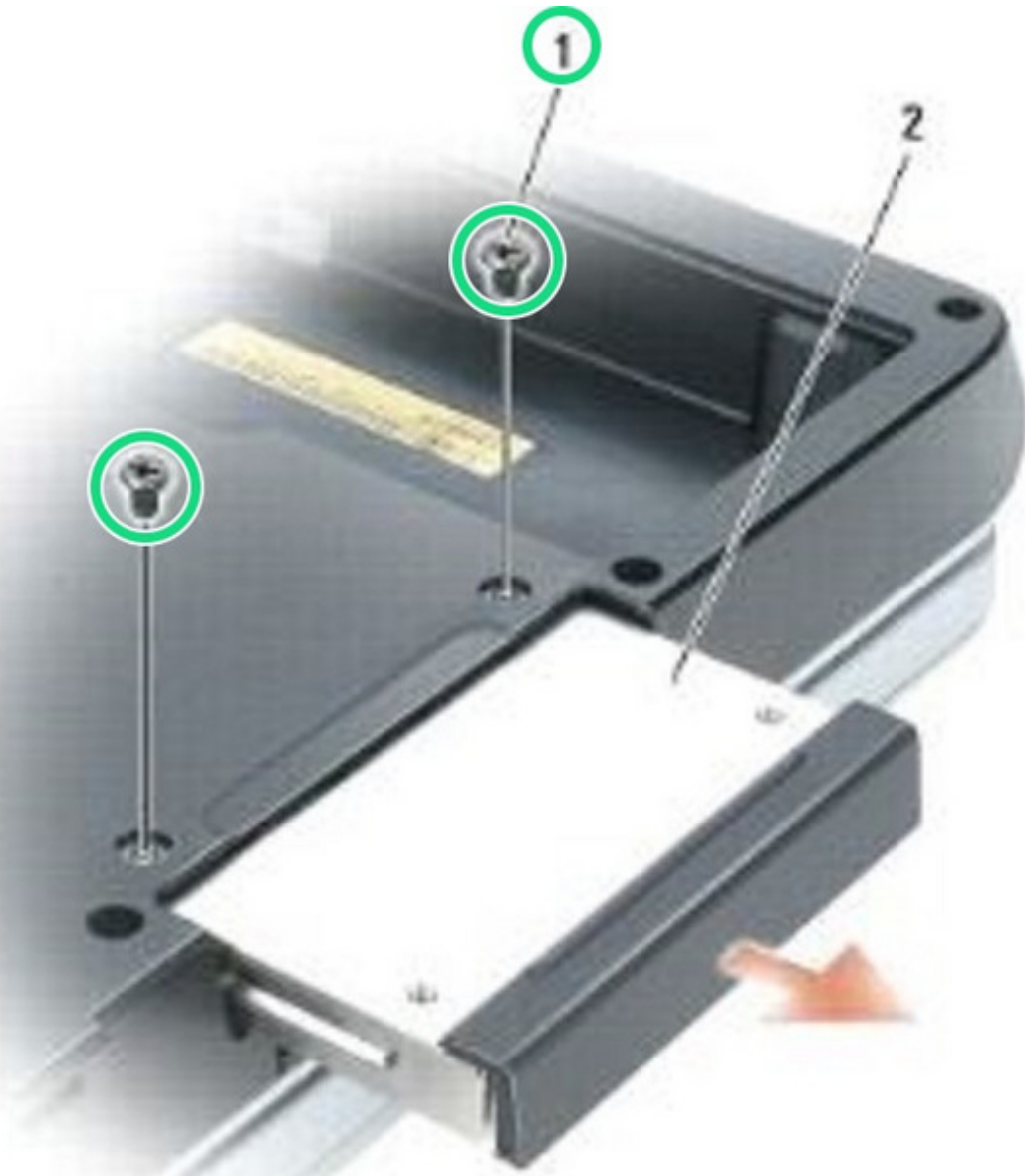




Dell Inspiron 1501 Hard Drive Replacement

Written By: Terrence15



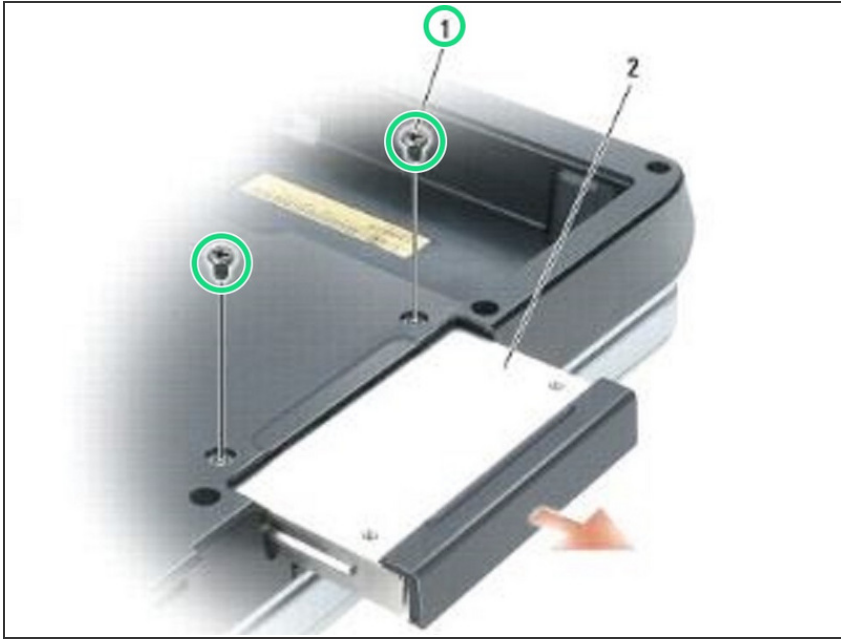
INTRODUCTION


In this guide, we will be showing you how to remove and replace the Hard Drive.

TOOLS:

- [Phillips #0 Screwdriver](#) (1)
-

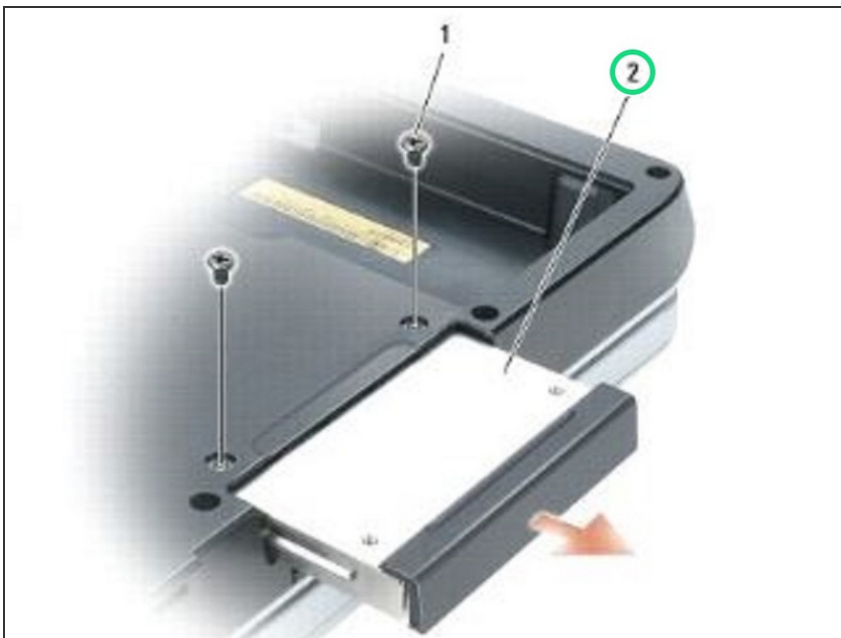
Step 1 — Remove the Screws



 Follow the instructions in [Before You Begin.](#)

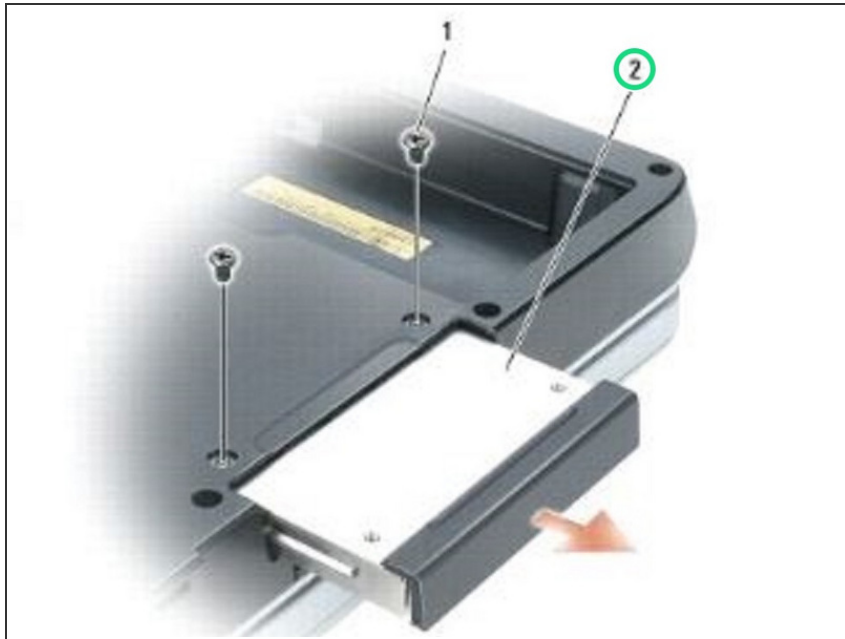
- Turn the computer upside-down and remove the two M3 x 3-mm screws.

Step 2 — Sliding the Hard Drive



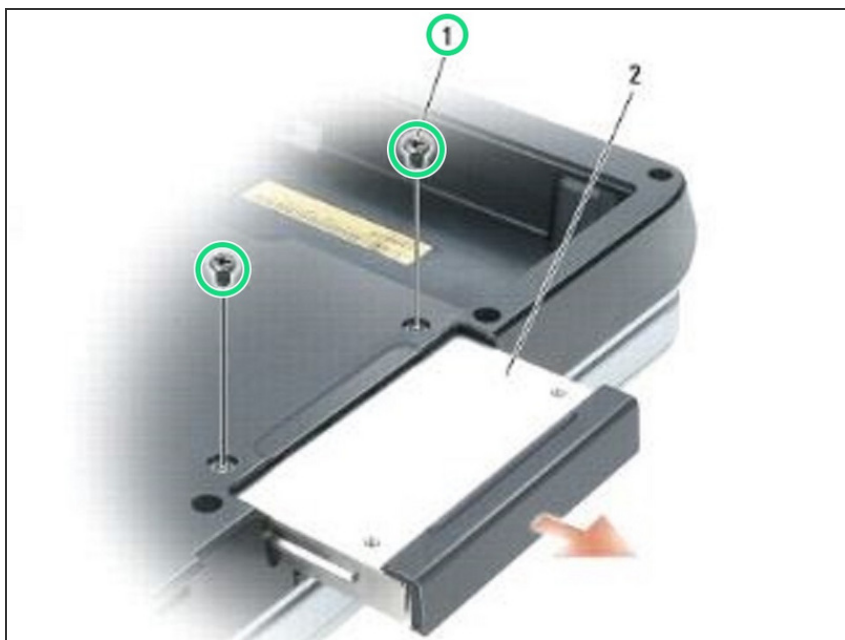
- Slide the hard drive out of the computer.

Step 3 — Sliding the Hard Drive



- Slide the **NEW** drive into the bay until it is fully seated.

Step 4 — Replace the Screws



- Replace and tighten the screws.