



# Dell Inspiron 15z 5523 Memory Module Replacement

Written By: Teren Wallace



## INTRODUCTION

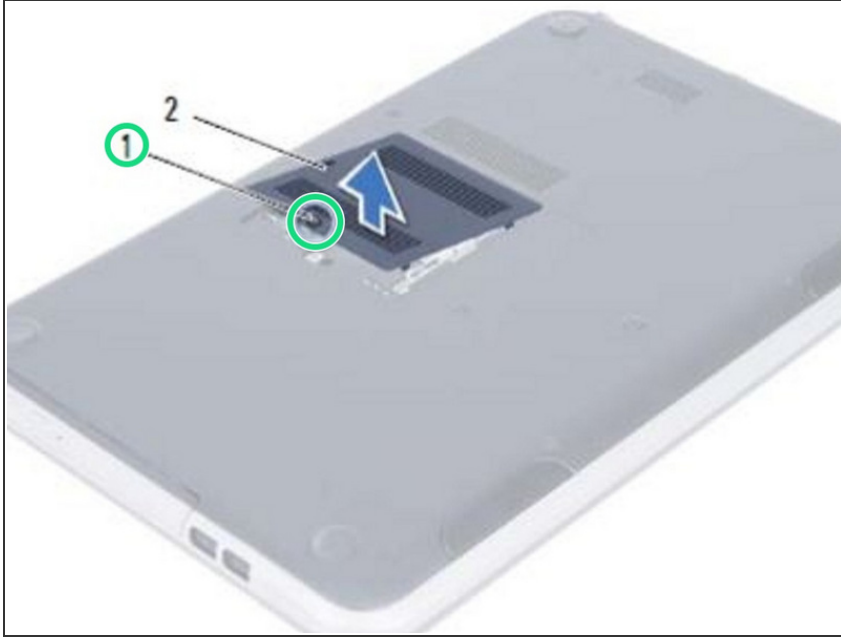
In this guide, we will be showing you how to remove and replace the Memory Module.

---

### TOOLS:

- [Phillips #0 Screwdriver](#) (1)
-

## Step 1 — Loosen the Screw



**⚠ WARNING:** Before working inside your computer, read the safety information that shipped with your computer and follow the steps in ["Before You Begin"](#).

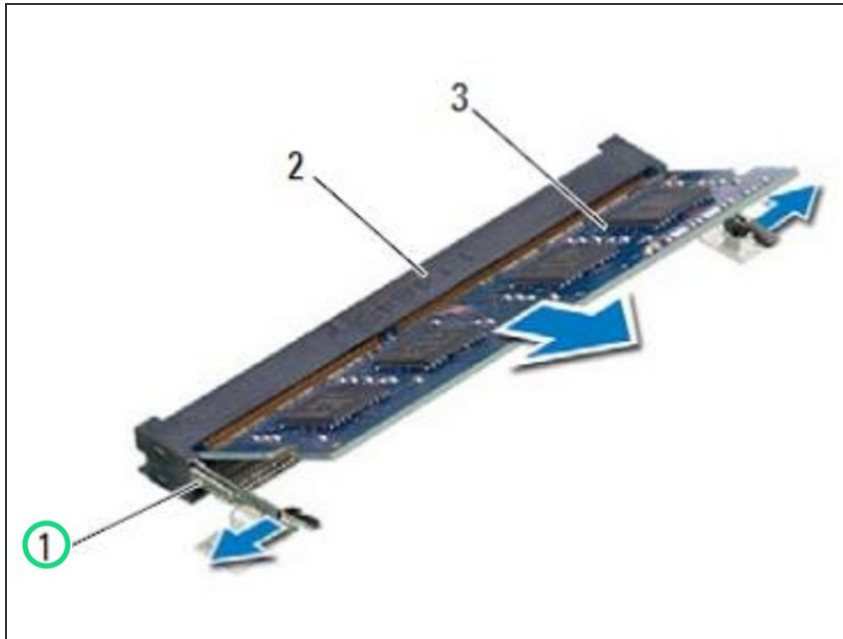
- Close the display and turn the computer over.
- Loosen the captive screw that secures the memory-module cover to the computer base.

## Step 2 — Lifting the Module Cover



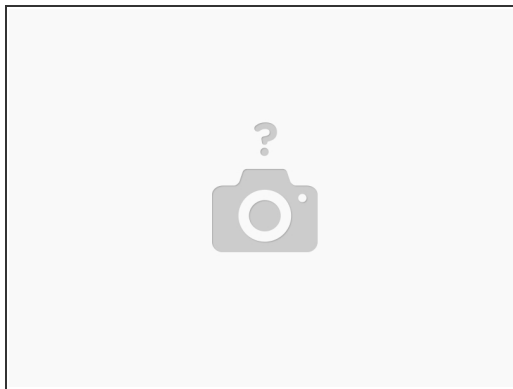
- Using your fingertips, lift the memory-module cover out of the slots on the computer base.

### Step 3 — Popping up the Memory Module



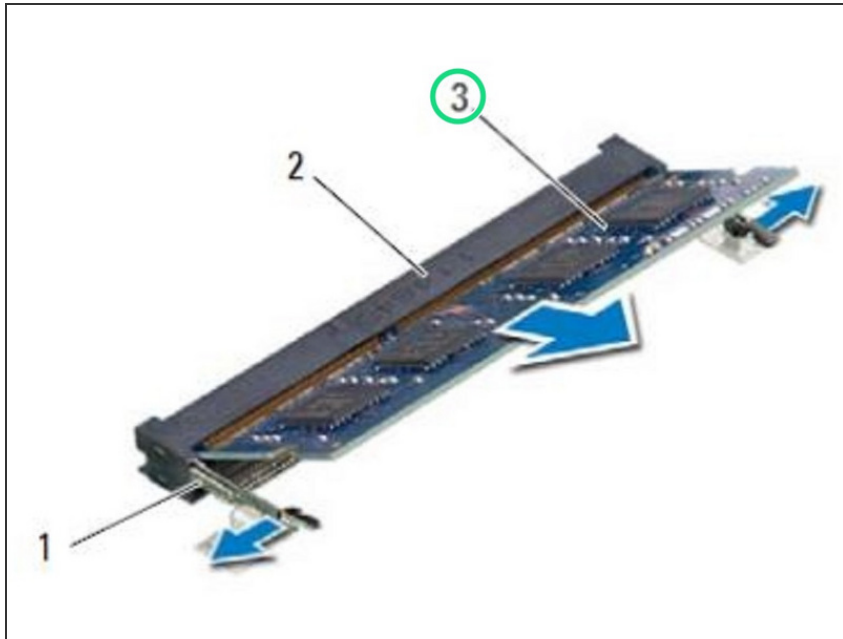
- Use your fingertips to carefully spread apart the securing clips on each end of the memory-module connector until the memory module pops up.

### Step 4 — Align the Notch



- Align the notch on the **NEW** memory module with the tab on the memory-module connector.

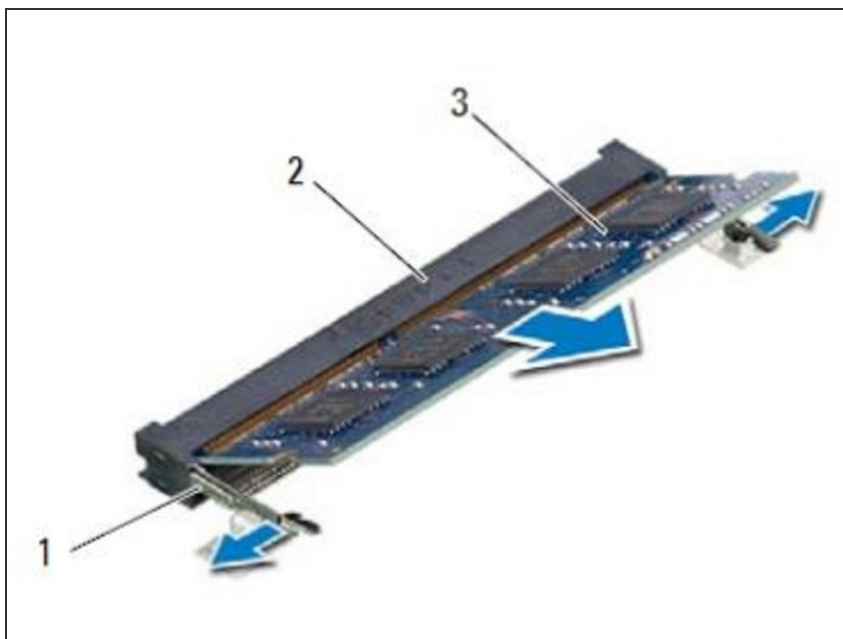
## Step 5 — Sliding the Memory Module



- Slide the memory module firmly into the connector at a 45-degree angle and press the memory module down until it clicks into place.

**(i)** NOTE: If you do not hear the click, remove the memory module and reinstall it.

## Step 6 — Slide the Tabs



- Slide the tabs on the memory-module cover into the slots on the computer base and snap the memory-module cover into place.

## Step 7 — Tighten the Screw



- Tighten the captive screw that secures the memory-module cover to the computer base.

This document was last generated on 2018-06-27 01:37:12 PM.