



Dell Precision 5510 Battery Replacement

This guide will show how to replace the battery component of the Dell Precision 5510 laptop.

Written By: Atlanta Phelps



INTRODUCTION

These are the steps to remove the battery from the Precision Dell 5510.

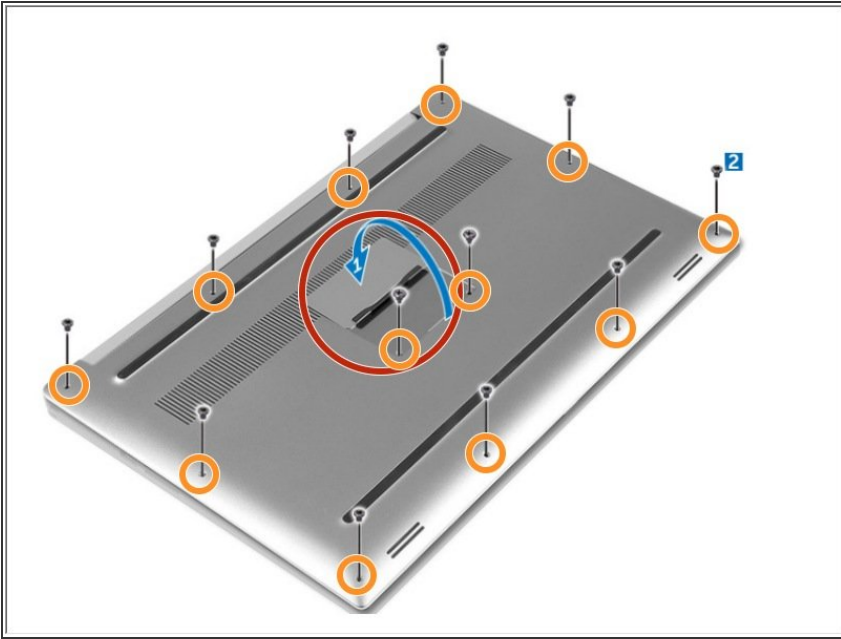
TOOLS:

- [Phillips #0 Screwdriver](#) (1)
- [JIS #0 Screwdriver](#) (1)

PARTS:

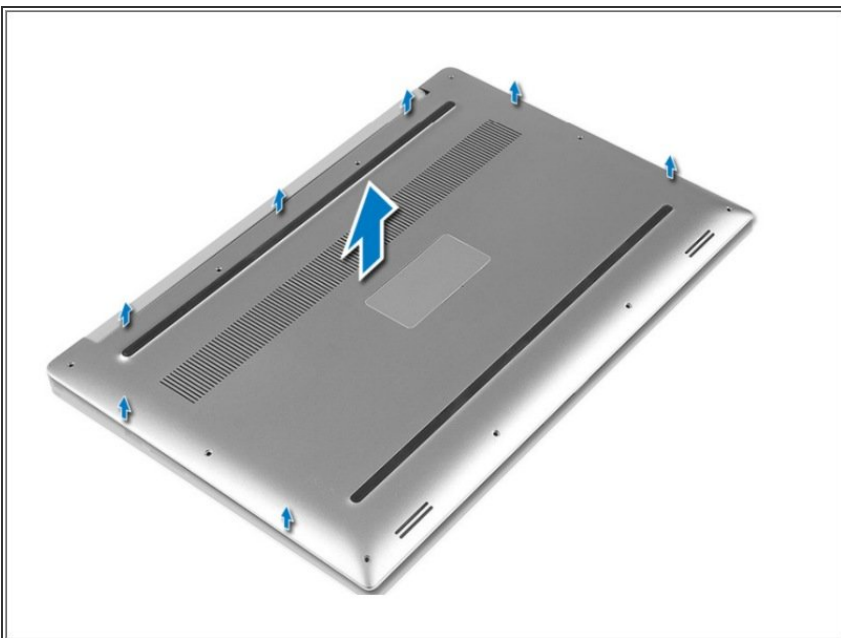
- [Dell XPS 15 9550 and 5510 Precision 84 Wh Replacement Battery](#) (1)
- [Dell XPS 15 9550 and 5510 Precision 56 Wh Replacement Battery](#) (1)

Step 1 — Base Cover



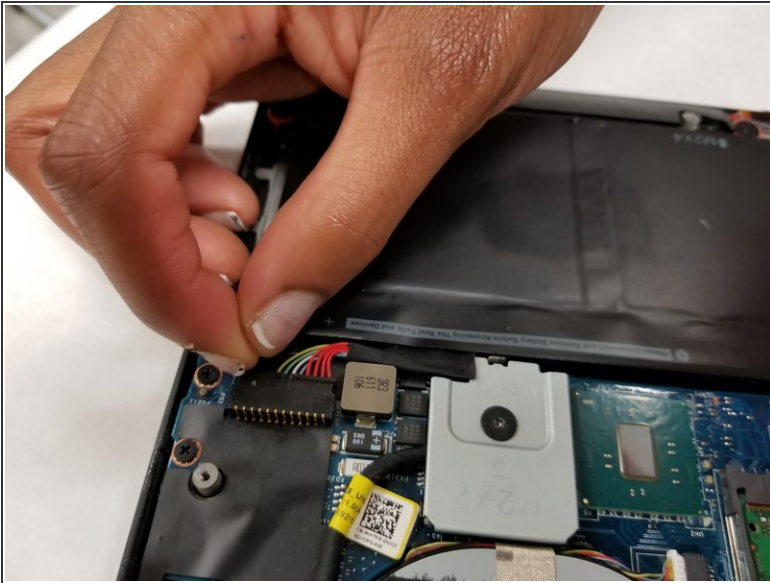
- Open the system badge flap over to reveal the screws underneath (marked 1 on the image).
- Remove the 12 screws that secure the base cover to the computer.

Step 2



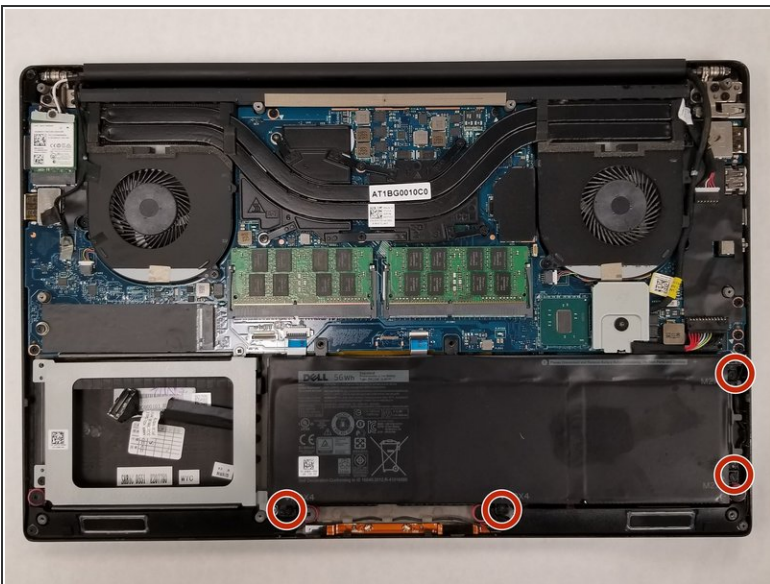
- Pry the edges base cover and lift it to remove it from computer.

Step 3 — Battery



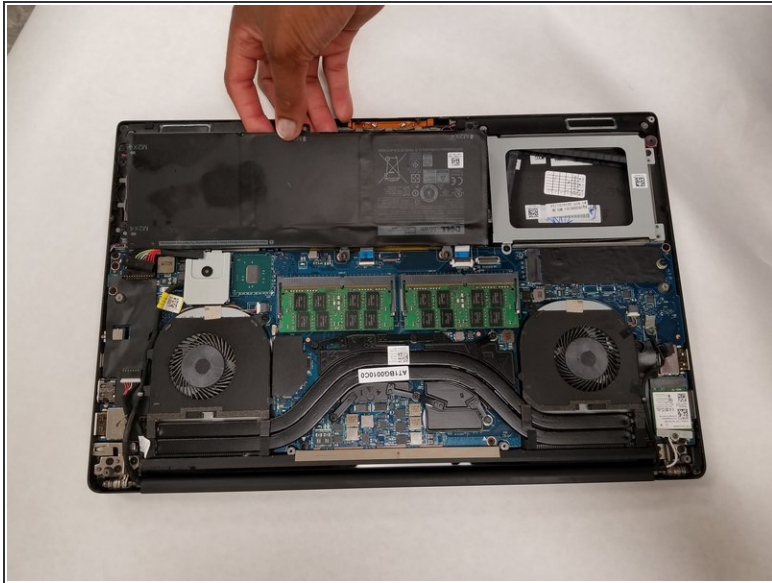
- Unplug the connection that links the battery to the computer.

Step 4



- Remove the four 4.0 mm JIS #0 screws surrounding the battery.

Step 5



- Carefully remove the battery from the computer.

To reassemble your device, follow these instructions in reverse order.