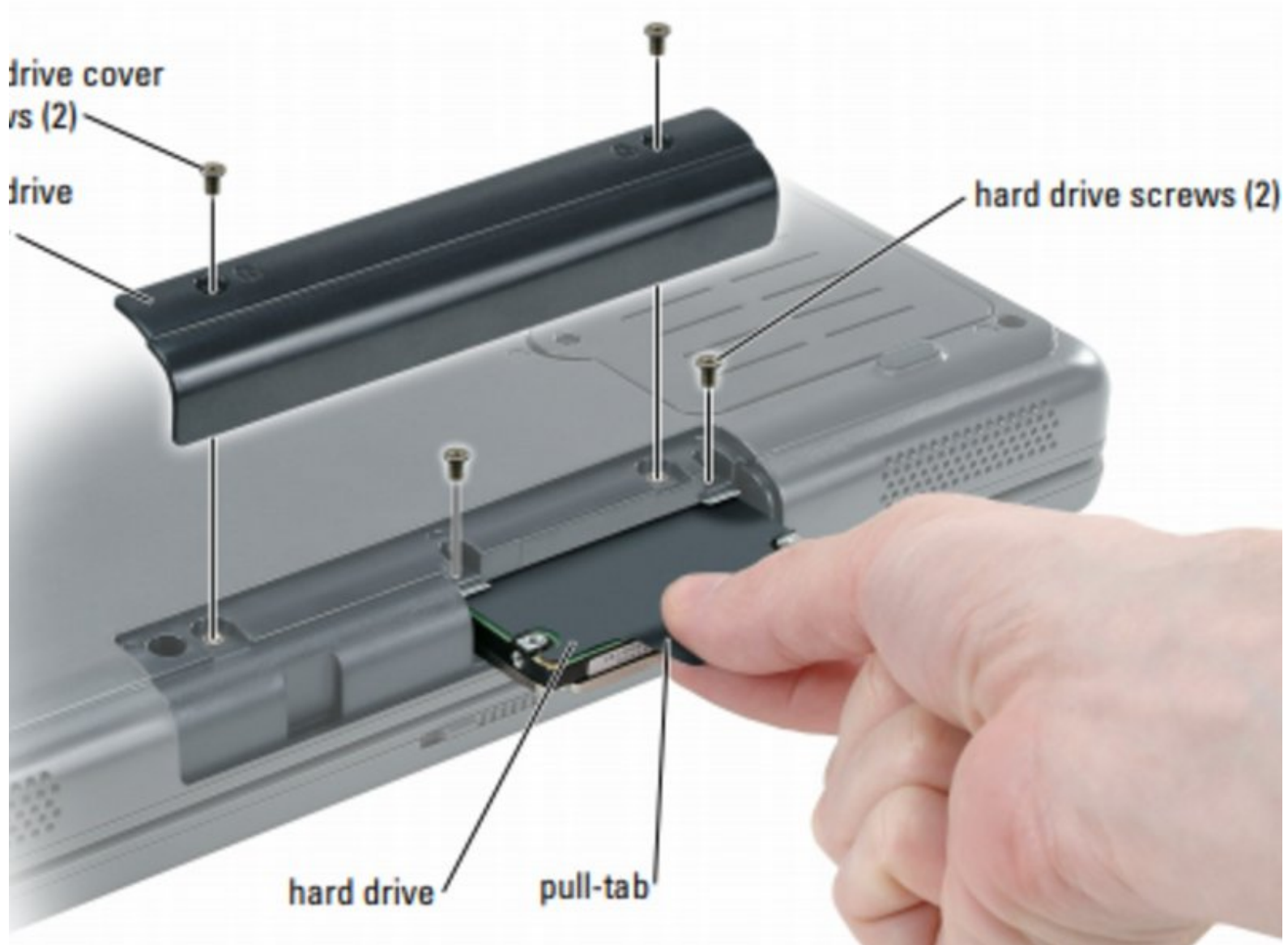




# Dell Inspiron 1000 Hard-Drive Replacement

How to remove and replace a hard-drive

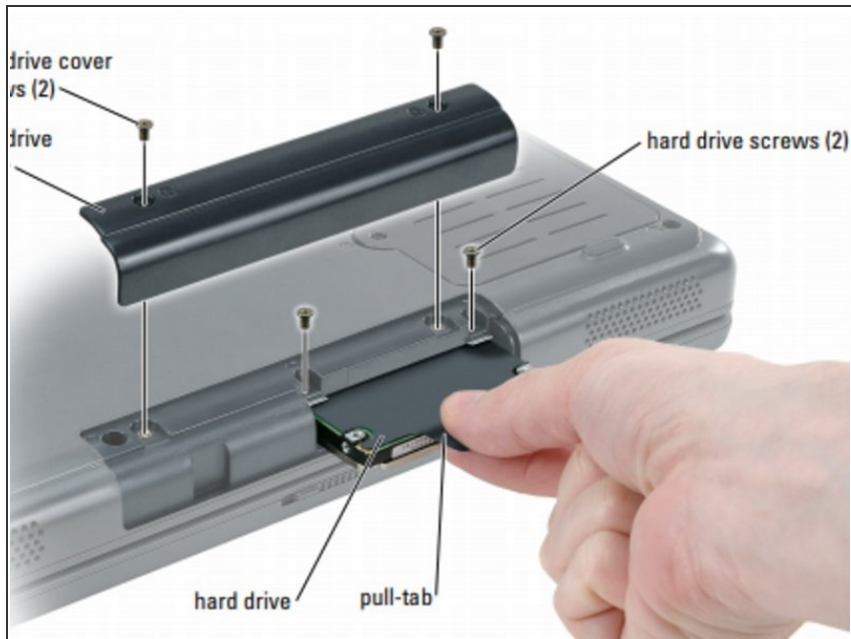
Written By: darrius



 **TOOLS:**

- [Phillips #0 Screwdriver](#) (1)
-

## Step 1 — Warning Safety Precautions

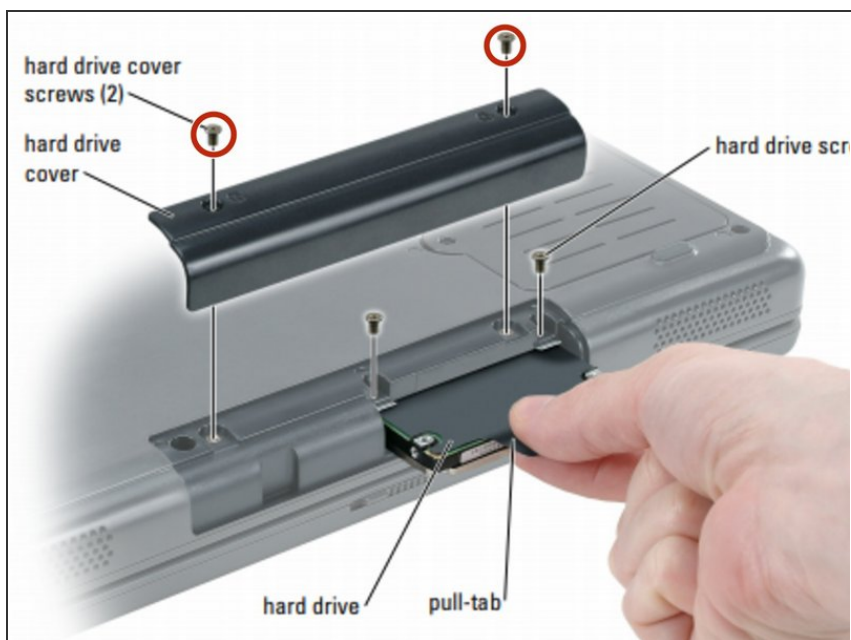


**⚠** Before Working Inside Your Computer

- Use the following safety guidelines to help protect your computer from potential damage and to help ensure your own personal safety.

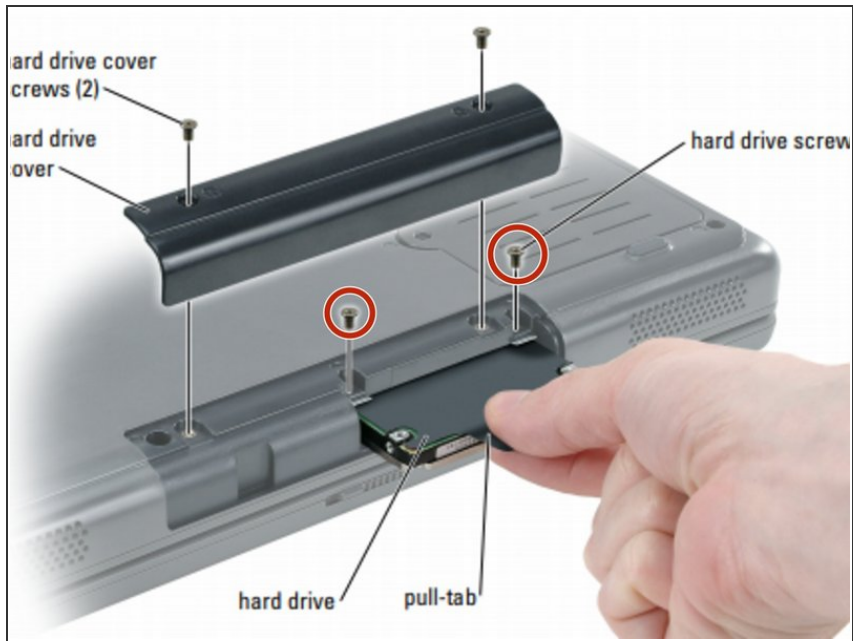
**⚠** CAUTION: Before you begin any of the procedures in this section, follow the safety instructions in the Product Information Guide..

## Step 2 — Removing The Two Screws



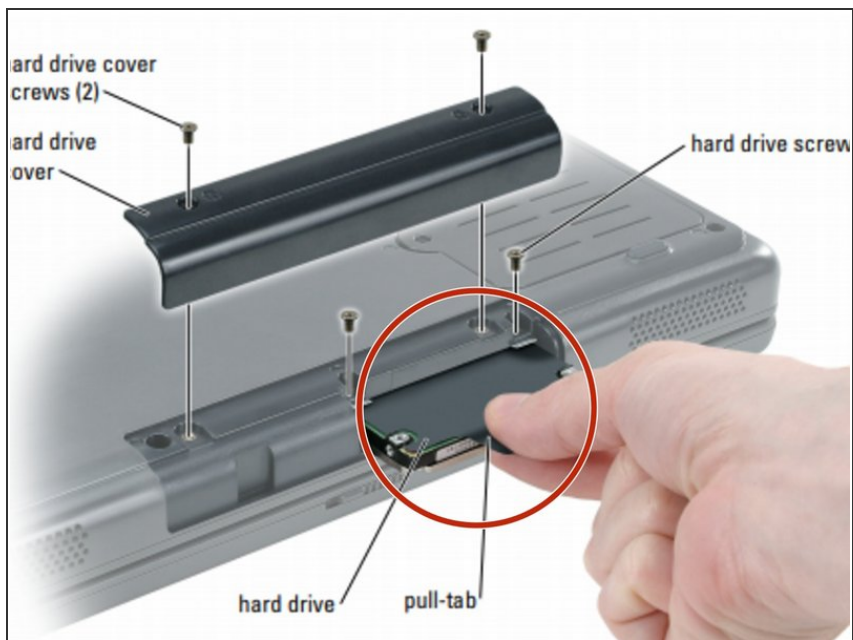
- Turn the computer over and remove the hard drive cover screws, the cover, and the hard drive screws.

### Step 3 — Removing The Two Screws



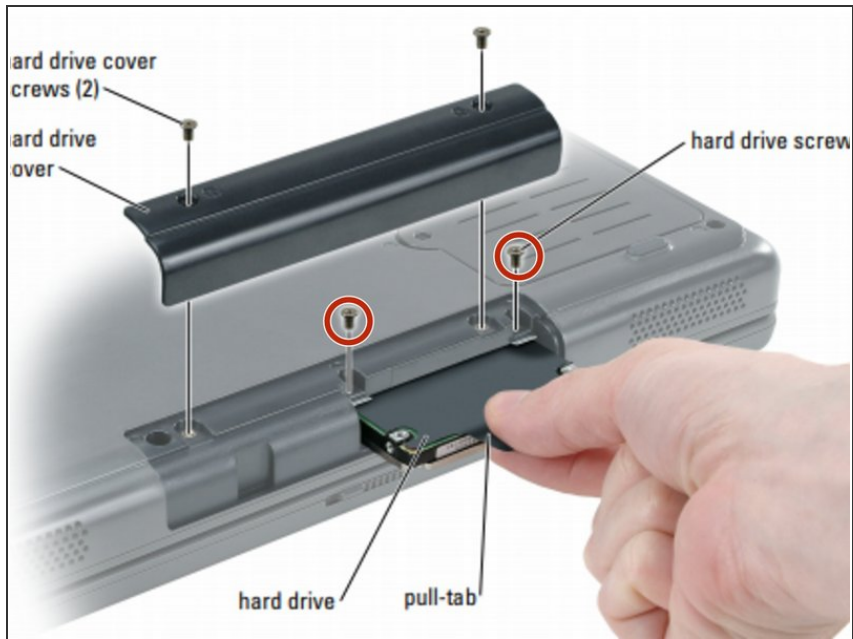
- Removing the two screws from the hard-drive.

### Step 4 — Removing The Hard-Drive



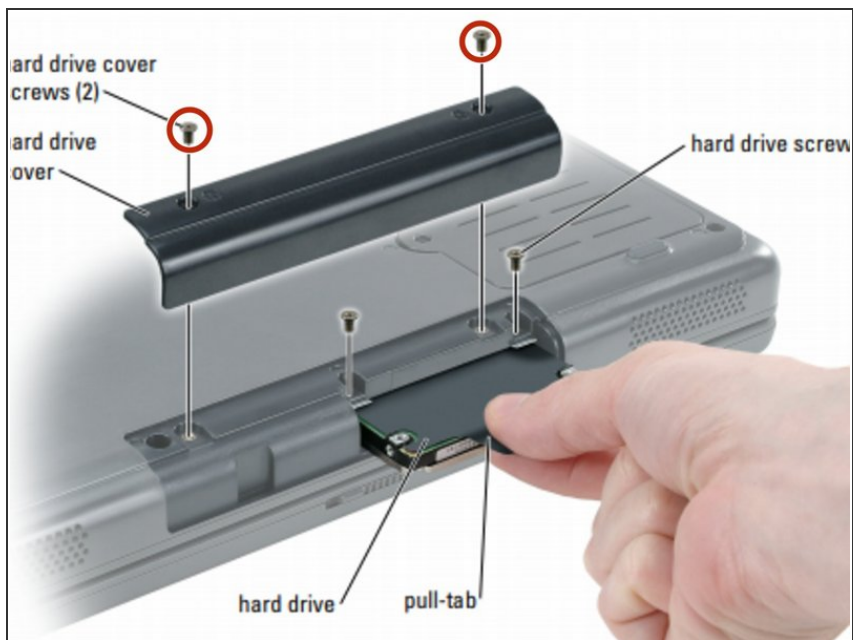
- Slide the hard drive out of the computer.

## Step 5 — Placing The Two Screws



- Securing the screws to the "NEW" hard-drive.

## Step 6 — Placing The Two Screws



- Securing the screws to the cover

To reassemble your device, follow these instructions in reverse order.