



Motorola i710 Keypad Sensor Replacement

This guide will illustrate how to access the keypad sensor.

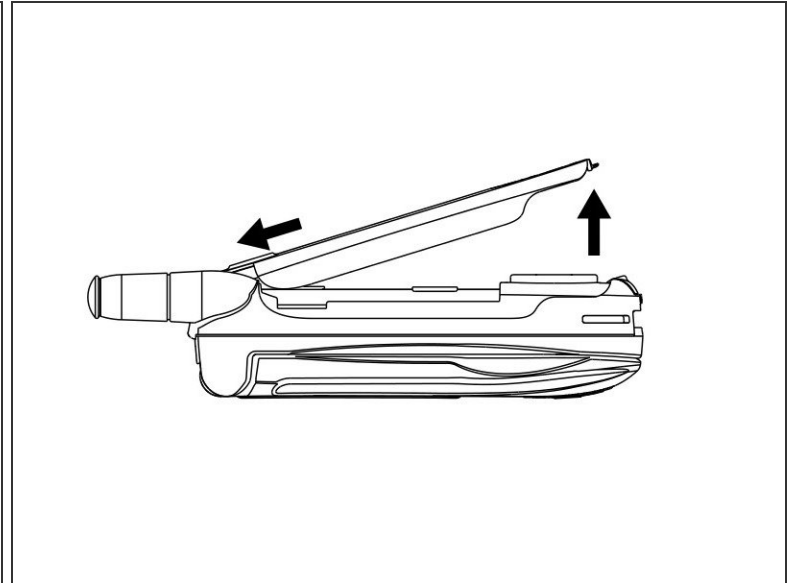
Written By: Katelyn



INTRODUCTION

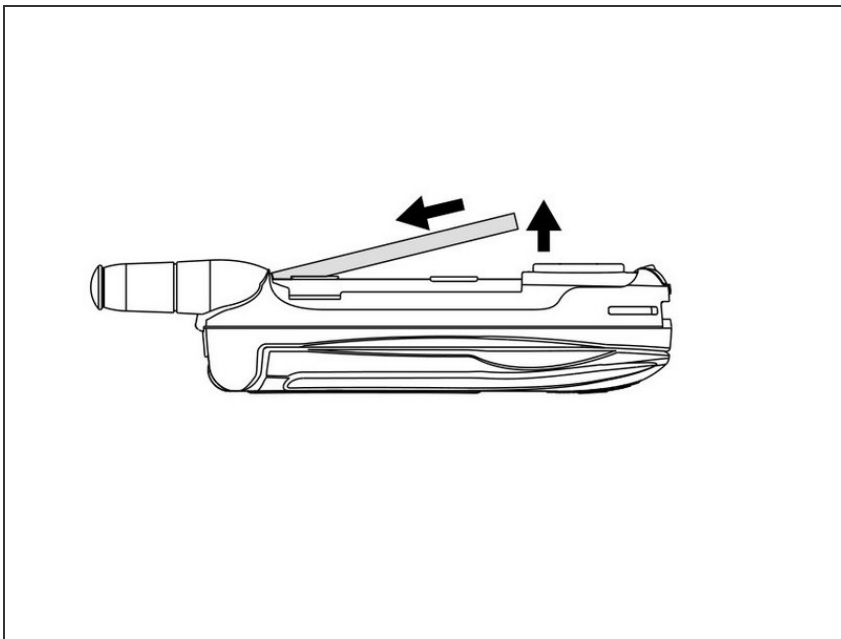
Once the back cover, battery, and motherboard have been removed, the keypad can accessed.

Step 1 — Battery Cover



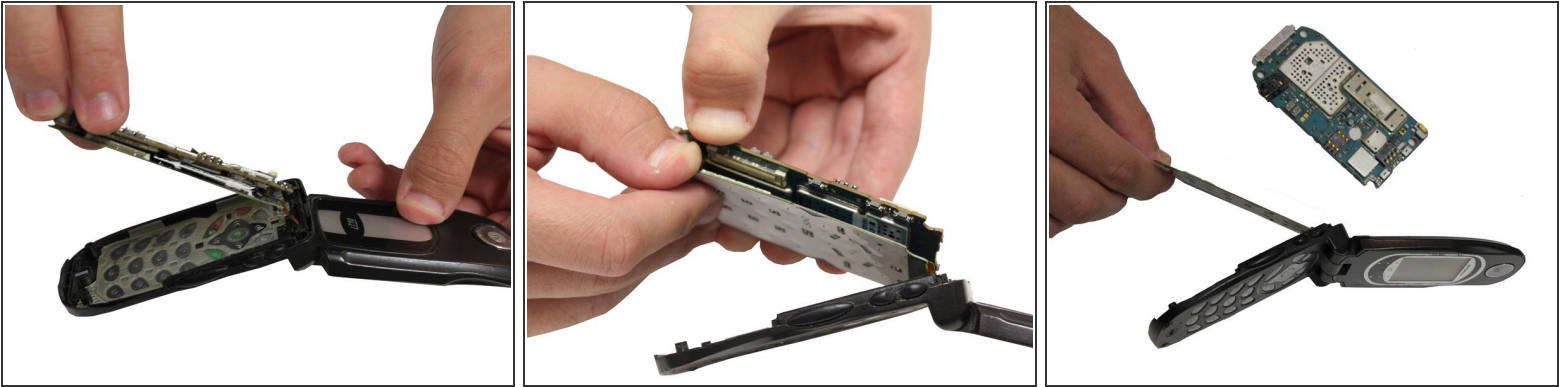
- Slide the cover release button towards the bottom of the phone
- Once the battery cover pops up, slide the cover towards the top of the phone and lift up.

Step 2 — Battery



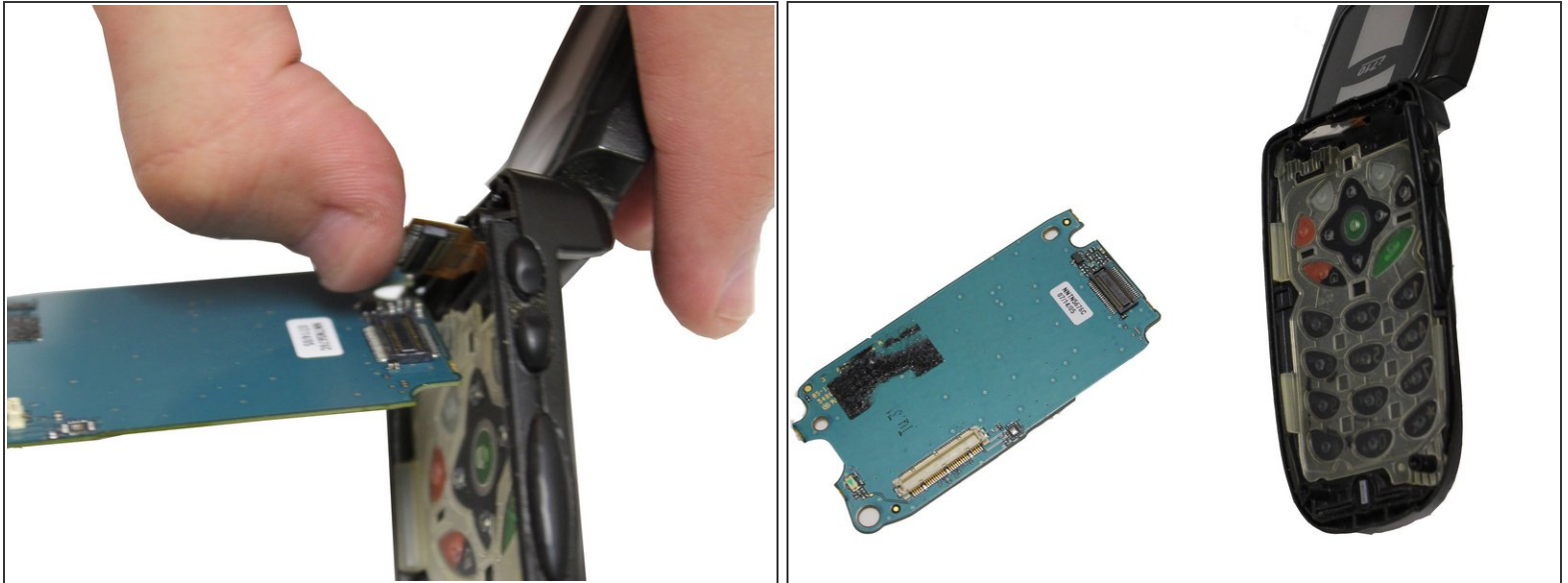
- Push the battery towards the top of the phone and lift up.

Step 3 — Motherboard



- Lift the motherboard away from the case of the phone, being careful not to break the wire that goes up into the hinge.
- Peel the motherboard off of the keypad. The two pieces are glued together and separate without much effort.
- The motherboard should now be completely disconnected from the phone.

Step 4 — Keypad Sensor



- Once the motherboard has been removed from the keypad, the keypad sensor can be detached from the phone at the hinge.
- Gently pry off the cable connecting the keypad sensor. The keypad sensor should now be completely separated from the phone.

To reassemble your device, follow these instructions in reverse order.