



Motorola i710 Charger Plug Replacement

This guide will illustrate how to replace the small plug that covers the connection area for the charger.

Written By: Caitlin Smith



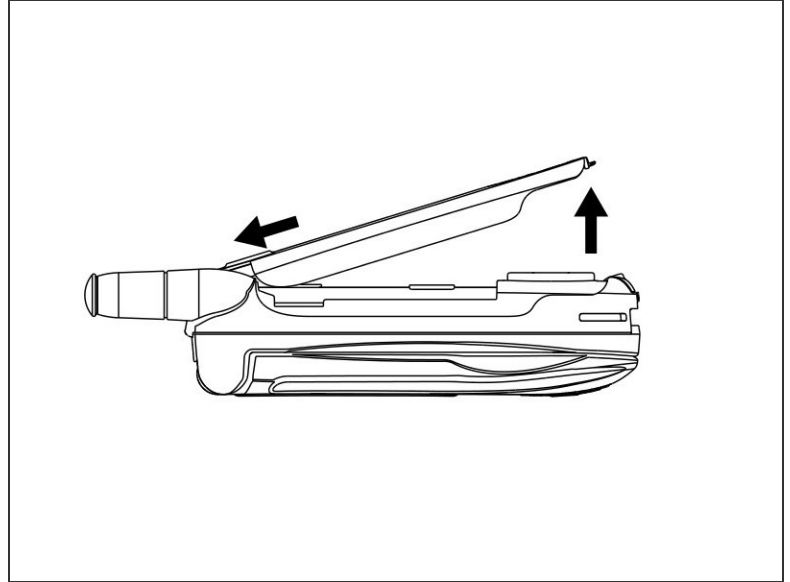
INTRODUCTION

Once the back casing has been removed, the charger cover will be accessible for replacement.

TOOLS:

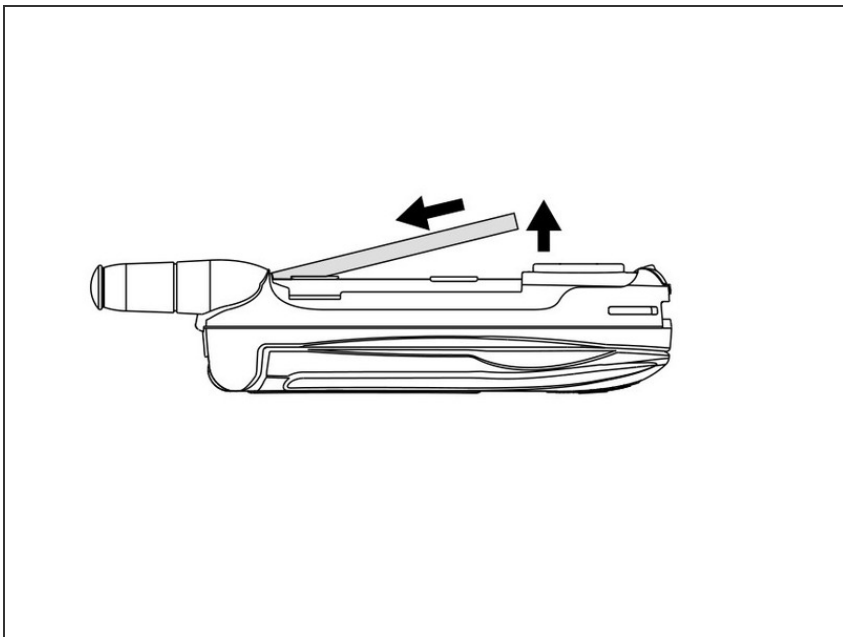
- [T5 Torx Screwdriver](#) (1)
-

Step 1 — Battery Cover



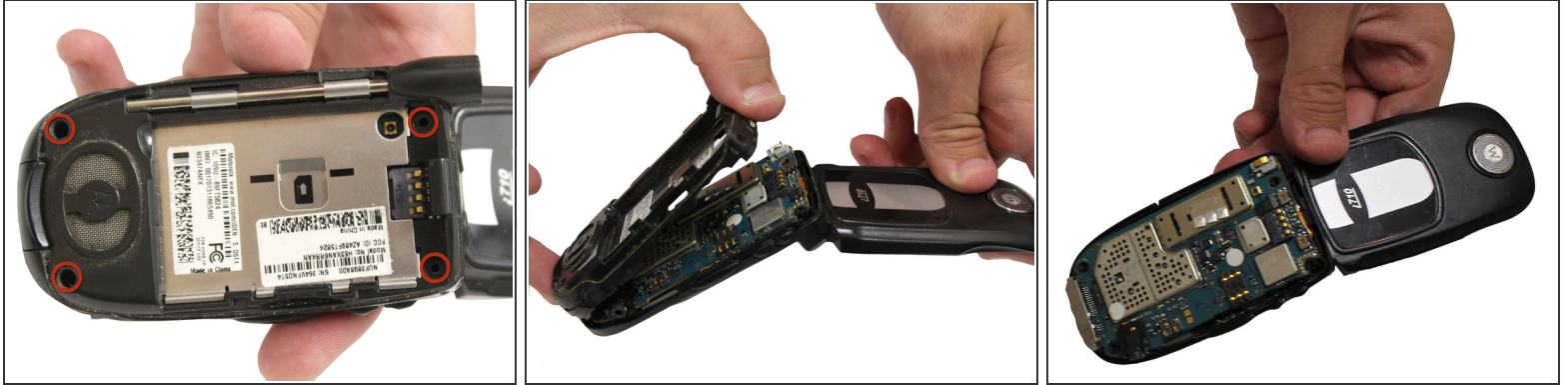
- Slide the cover release button towards the bottom of the phone
- Once the battery cover pops up, slide the cover towards the top of the phone and lift up.

Step 2 — Battery



- Push the battery towards the top of the phone and lift up.

Step 3 — Back Casing



- With a T5 screwdriver, unscrew the four T5 sized screws that hold the case back cover onto the rest of the case.
- Remove the plastic case back cover by gently pulling it away from the body of the phone, starting at one edge and working your way down to the other.

Step 4 — Charger Plug



- Once you have taken off the back cover of the phone, the charger tab can be lifted out of position on the back cover.

To reassemble your device, follow these instructions in reverse order.