



Motorola i710 Motherboard Replacement

This guide will allow the user to remove the motherboard.

Written By: Carson Meena



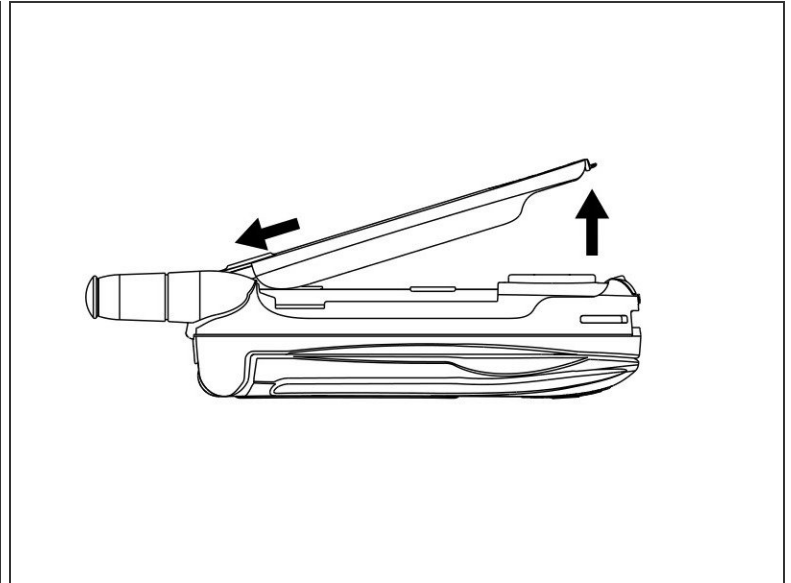
INTRODUCTION

Once the battery and case back cover have been removed, the motherboard can be accessed as shown in this guide.

TOOLS:

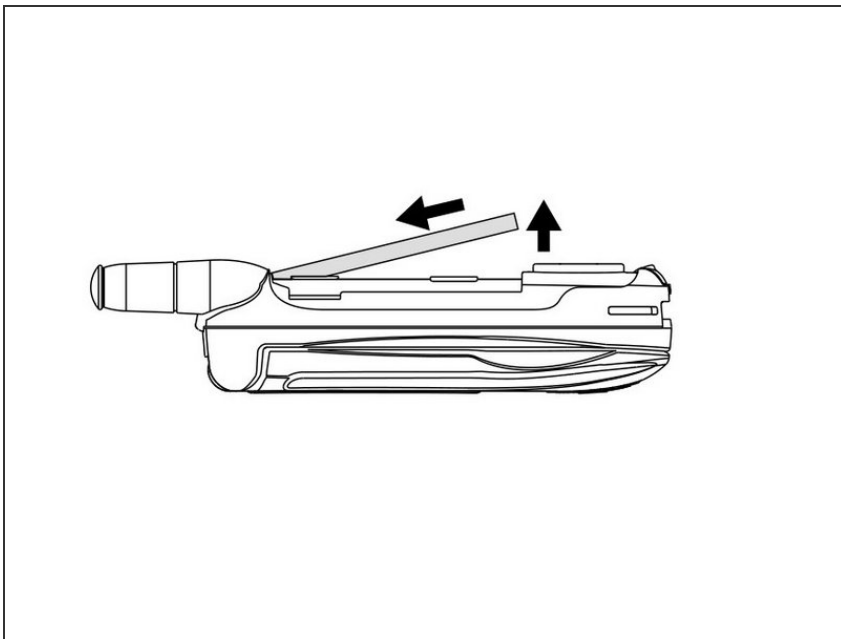
- [T5 Torx Screwdriver](#) (1)
-

Step 1 — Battery Cover



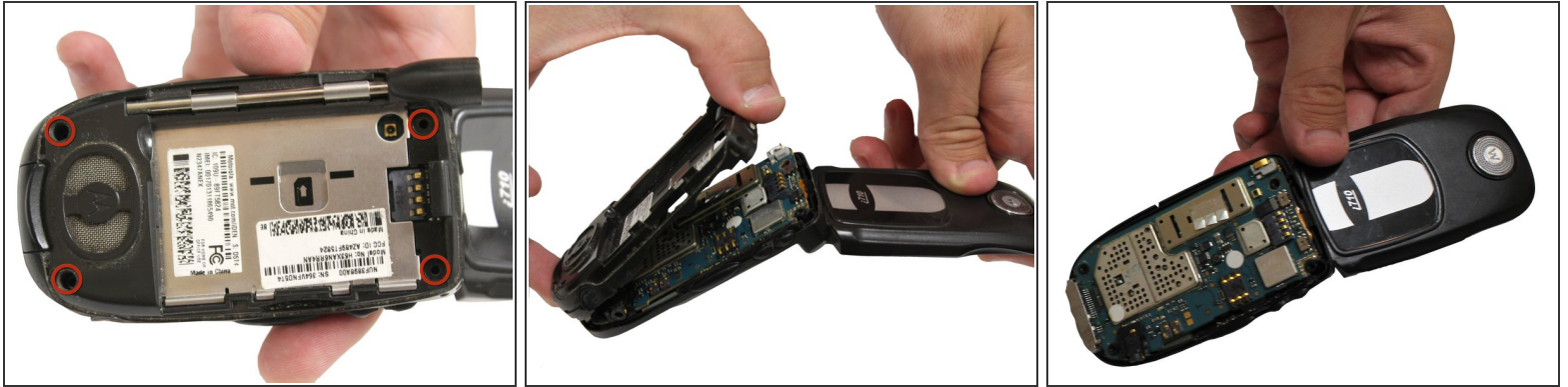
- Slide the cover release button towards the bottom of the phone
- Once the battery cover pops up, slide the cover towards the top of the phone and lift up.

Step 2 — Battery



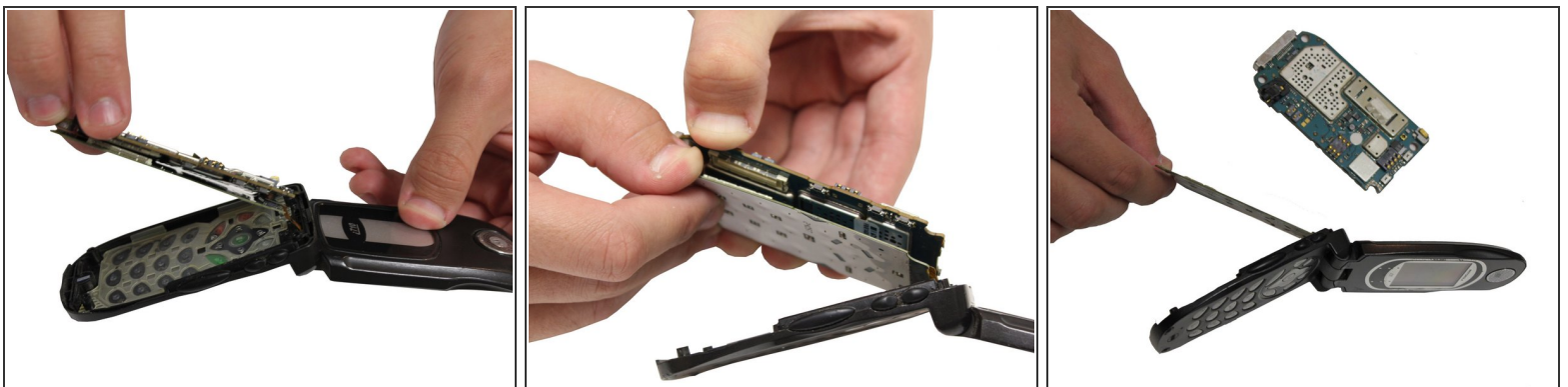
- Push the battery towards the top of the phone and lift up.

Step 3 — Back Casing



- With a T5 screwdriver, unscrew the four T5 sized screws that hold the case back cover onto the rest of the case.
- Remove the plastic case back cover by gently pulling it away from the body of the phone, starting at one edge and working your way down to the other.

Step 4 — Motherboard



- Lift the motherboard away from the case of the phone, being careful not to break the wire that goes up into the hinge.
- Peel the motherboard off of the keypad. The two pieces are glued together and separate without much effort.
- The motherboard should now be completely disconnected from the phone.

To reassemble your device, follow these instructions in reverse order.

This document was generated on 2019-10-27 09:53:07 PM (MST).

