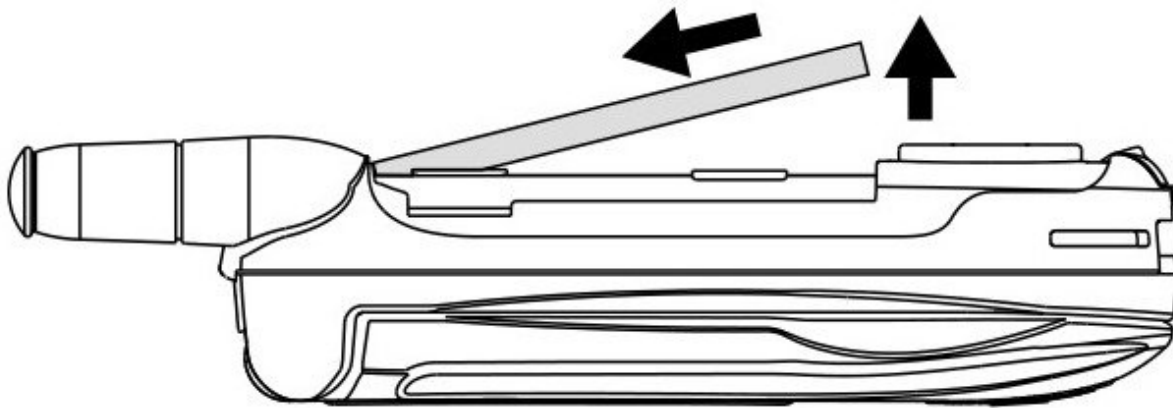




Motorola i710 Battery Replacement

This guide will show users how to remove and install the battery.

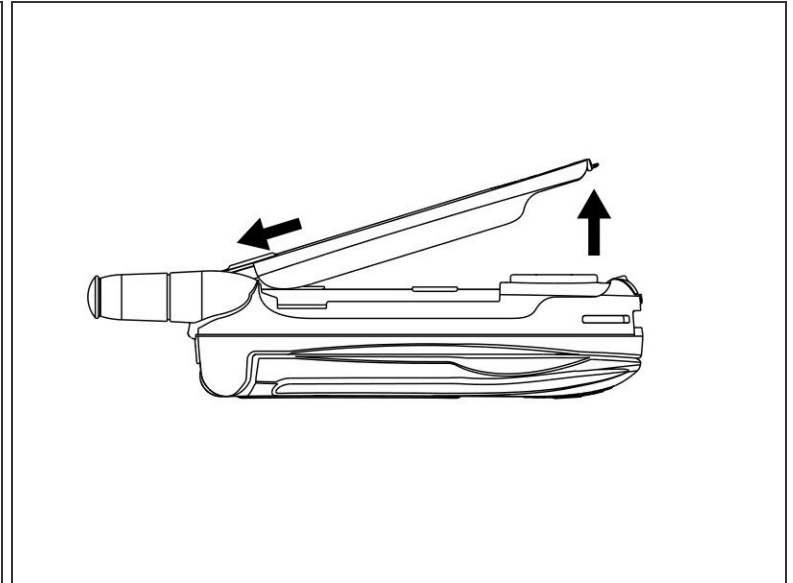
Written By: Christina



INTRODUCTION

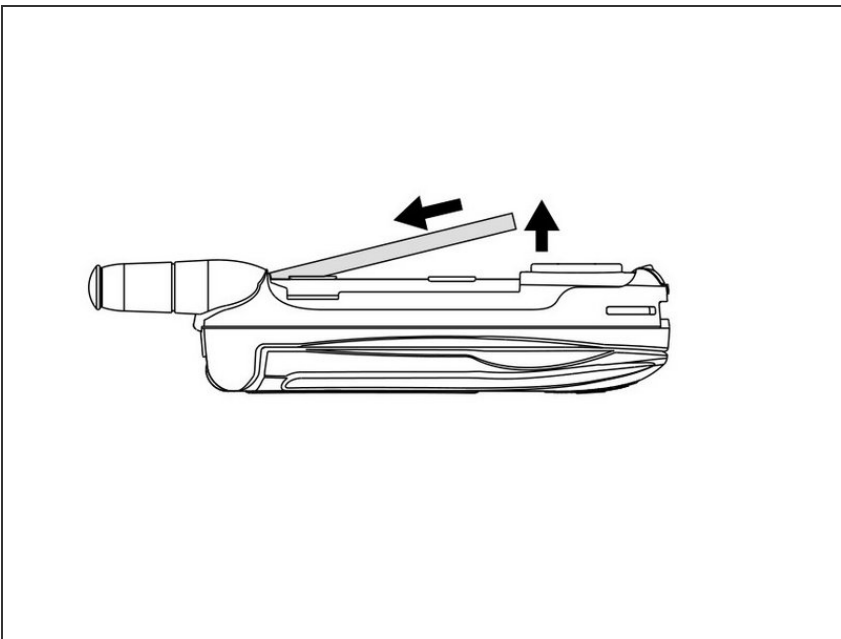
Once the back cover of the phone is removed, the battery will be accessible for removal and installation.

Step 1 — Battery Cover



- Slide the cover release button towards the bottom of the phone
- Once the battery cover pops up, slide the cover towards the top of the phone and lift up.

Step 2 — Battery



- Push the battery towards the top of the phone and lift up.

To reassemble your device, follow these instructions in reverse order.