



Motorola i710 Battery Cover Replacement

This guide will show users how to remove the back cover of the phone.

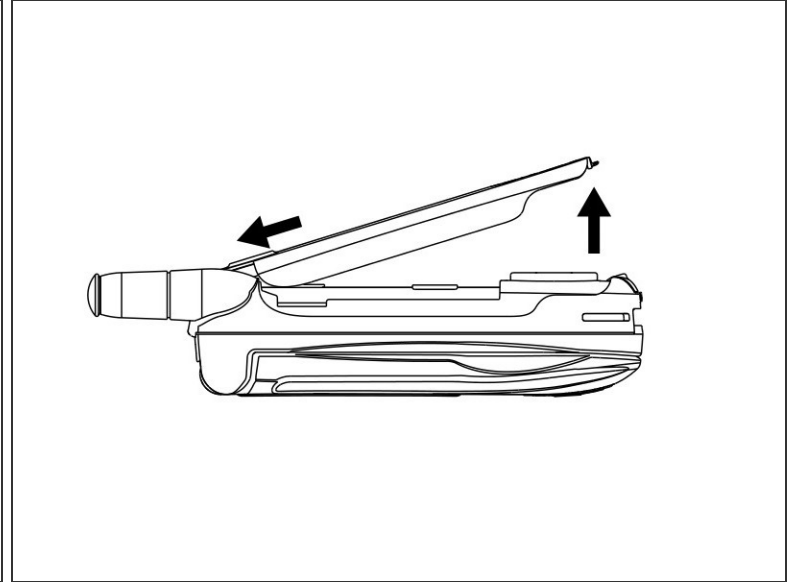
Written By: Christina



INTRODUCTION

Removal of the back cover is essential to many of the replacement guides.

Step 1 — Battery Cover



- Slide the cover release button towards the bottom of the phone
- Once the battery cover pops up, slide the cover towards the top of the phone and lift up.

To reassemble your device, follow these instructions in reverse order.

This document was last generated on 2017-12-25 04:53:30 PM.