



Motorola i710 Keypad Cover Replacement

This guide will illustrate how to access the keypad cover.

Written By: Katelyn



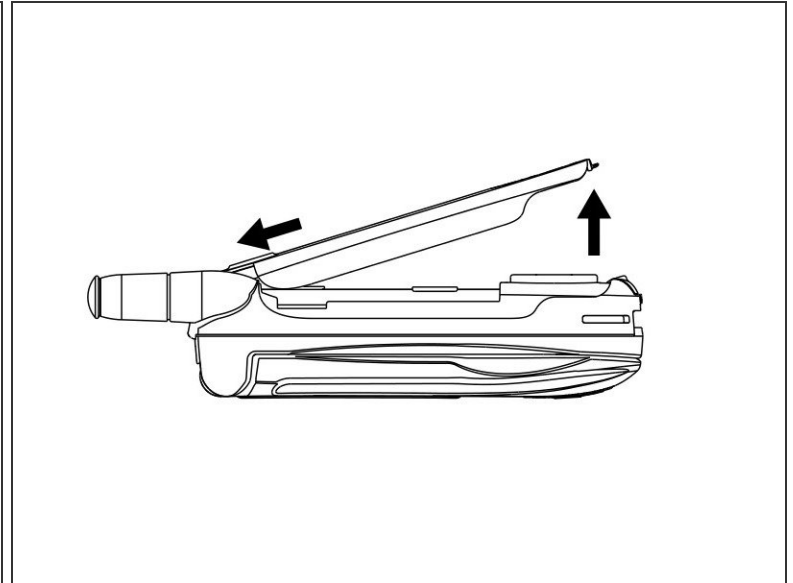
INTRODUCTION

Once the back cover, battery, motherboard, and keypad have been removed, the keypad cover will be accessible for removal.

TOOLS:

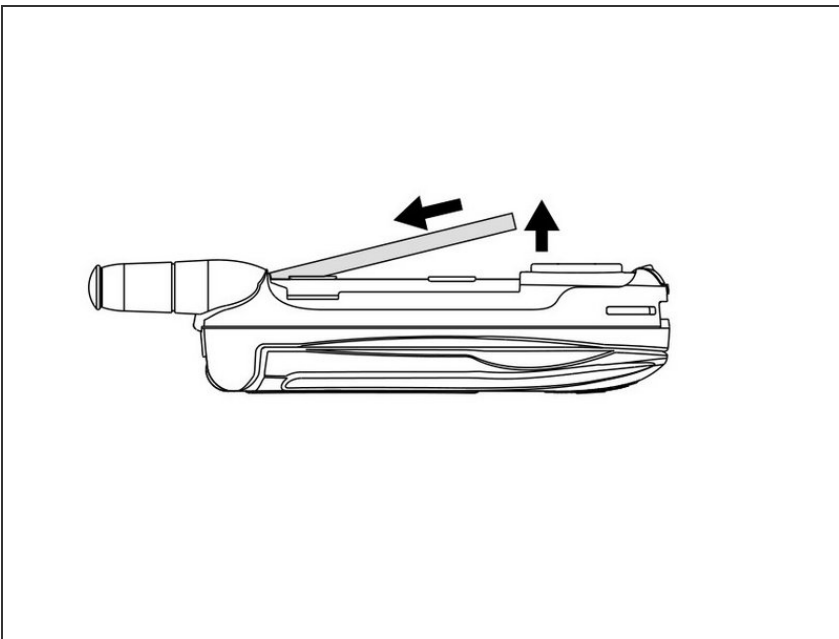
- [T5 Torx Screwdriver](#) (1)
-

Step 1 — Battery Cover



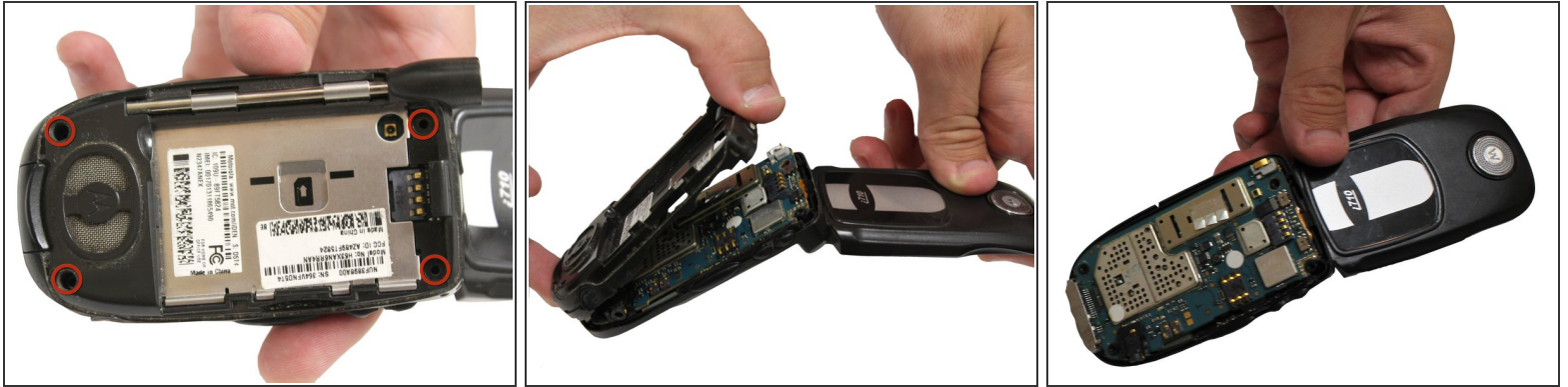
- Slide the cover release button towards the bottom of the phone
- Once the battery cover pops up, slide the cover towards the top of the phone and lift up.

Step 2 — Battery



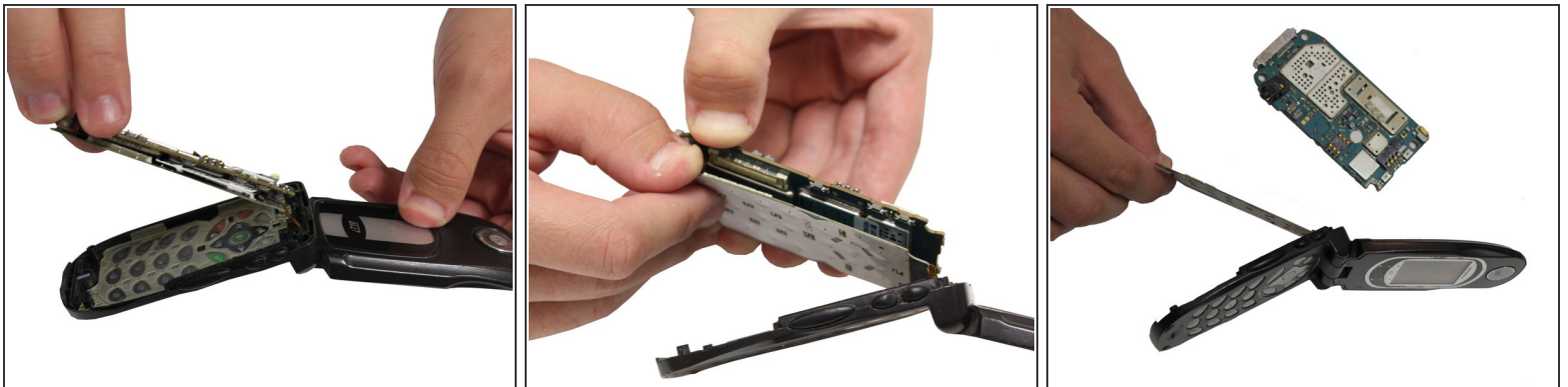
- Push the battery towards the top of the phone and lift up.

Step 3 — Back Casing



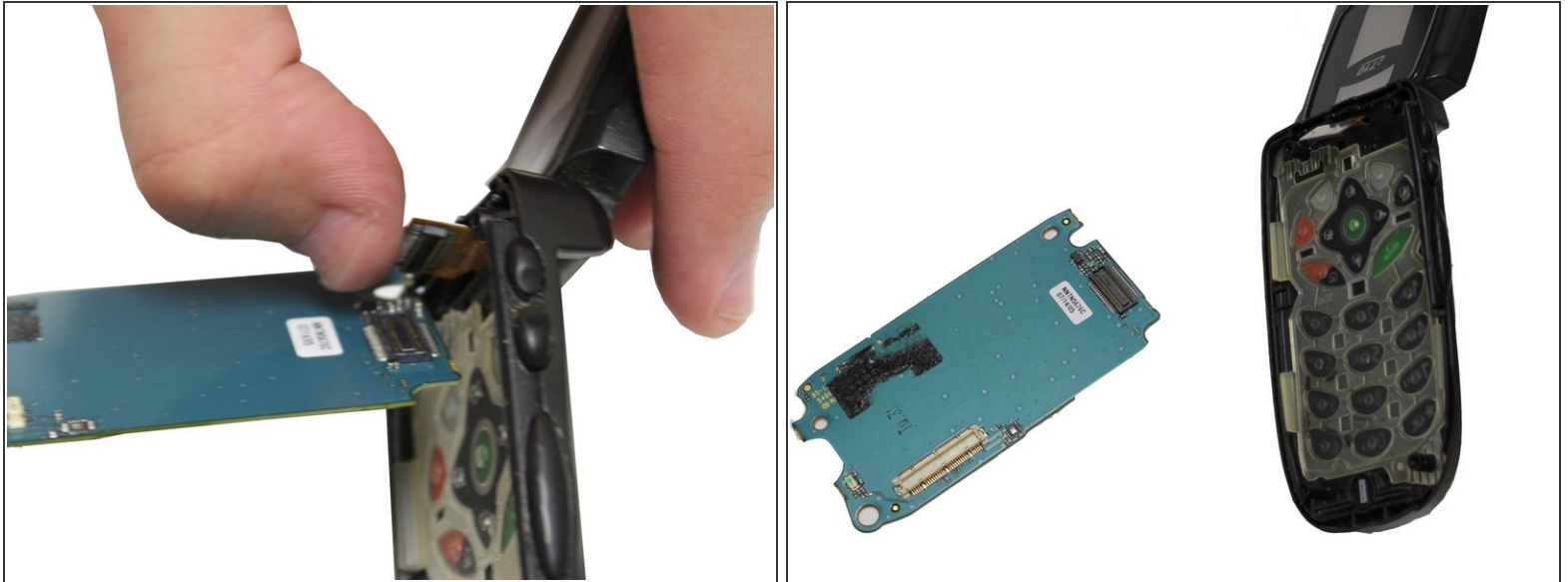
- With a T5 screwdriver, unscrew the four T5 sized screws that hold the case back cover onto the rest of the case.
- Remove the plastic case back cover by gently pulling it away from the body of the phone, starting at one edge and working your way down to the other.

Step 4 — Motherboard



- Lift the motherboard away from the case of the phone, being careful not to break the wire that goes up into the hinge.
- Peel the motherboard off of the keypad. The two pieces are glued together and separate without much effort.
- The motherboard should now be completely disconnected from the phone.

Step 5 — Keypad Sensor



- Once the motherboard has been removed from the keypad, the keypad sensor can be detached from the phone at the hinge.
- Gently pry off the cable connecting the keypad sensor. The keypad sensor should now be completely separated from the phone.

Step 6 — Keypad Cover



- Once the keypad has been removed, the keypad cover can be easily peeled back from the front phone cover molding.
- ⓘ Care must be taken when inserting a new keypad cover. The keypad cover will have to be lined up to the corresponding holes of the phone casing.

To reassemble your device, follow these instructions in reverse order.