



HP 15-f162dx Hard Drive Replacement

This is a guide on how to replace the hard drive of your HP 15-f162dx.

Written By: Abdullah Talha



INTRODUCTION

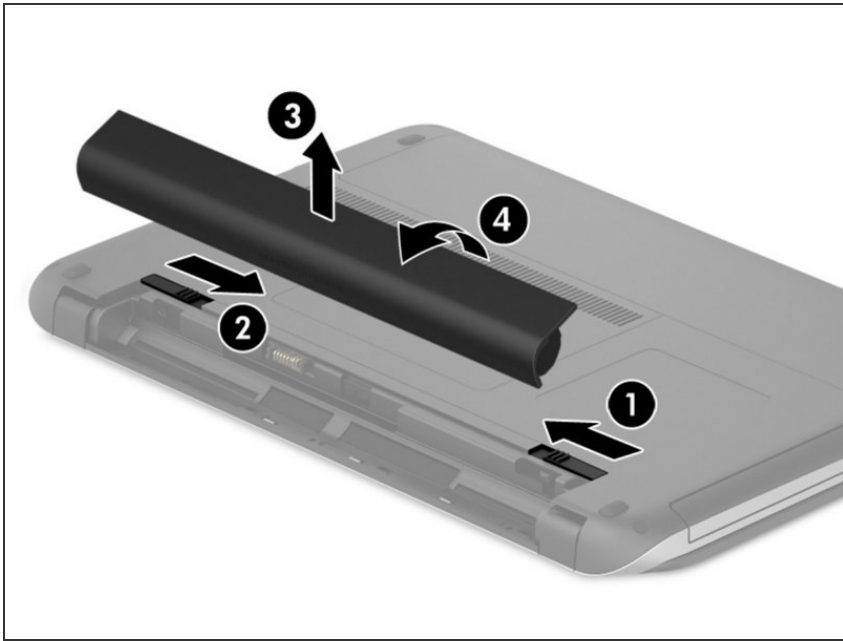
This is a guide on how to replace the hard drive of your HP 15-f162dx. Due to the assembly of the laptop, this process will require a substantial amount of disassembly and reassembly. Before beginning disassembly completely power off the laptop, remove the power cord, and unplug any external devices connected to the laptop.

TOOLS:

- [Essential Electronics Toolkit](#) (1)
- [container](#) (1)

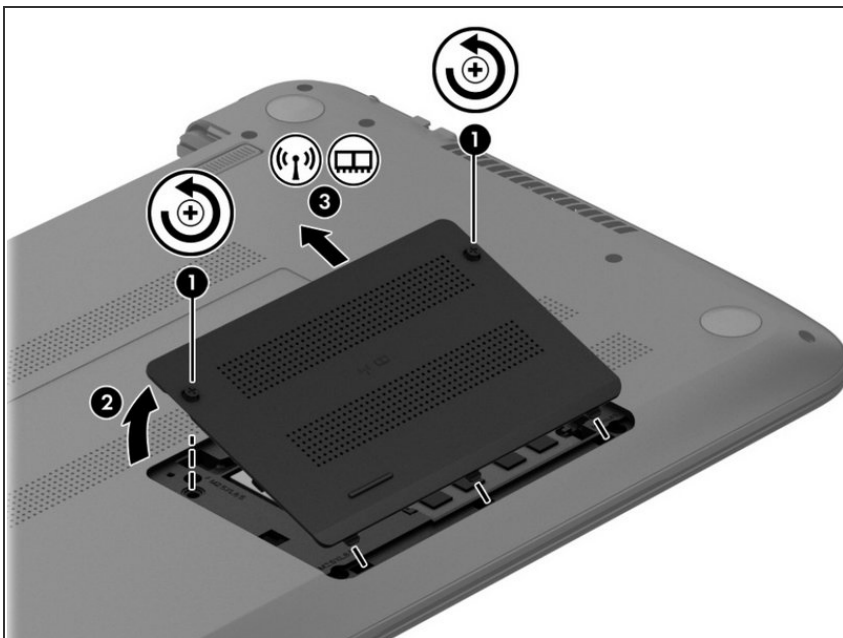
Use to keep screws removed from device in one place.

Step 1 — Hard Drive



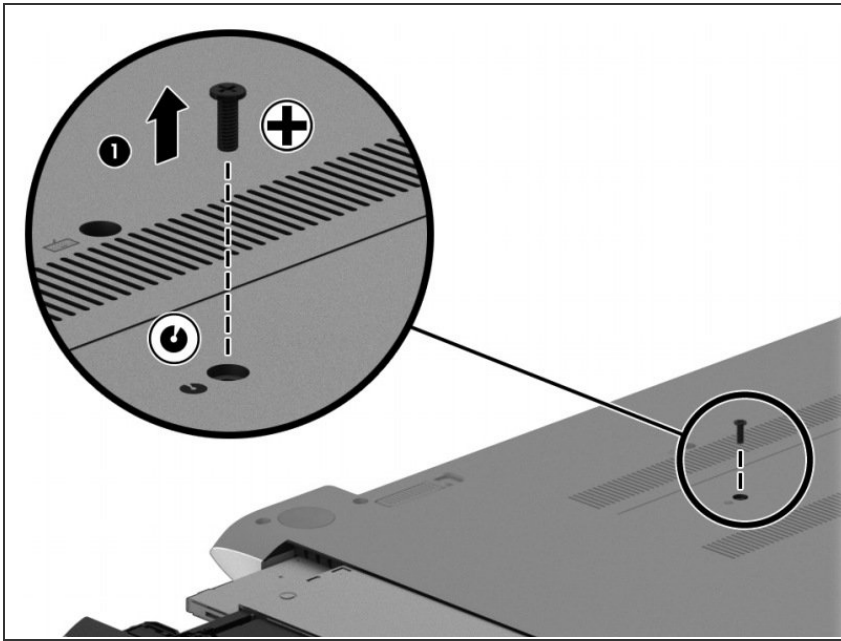
- Place the laptop upside down on a hard flat surface.
- Slide the right release latch to unlock the battery.
- Slide the left release latch to release the battery.
- Lift the battery up and away from the computer.

Step 2



- ⓘ You will need a small Phillips screwdriver for this step.
- Loosen the two screws holding on the laptops service door.
- ⓘ You do not need to remove the screws from the door. Just loosen them enough to be able to separate the service door from the main body of the laptop.
- Lift and slide the service door out of the body of the laptop.

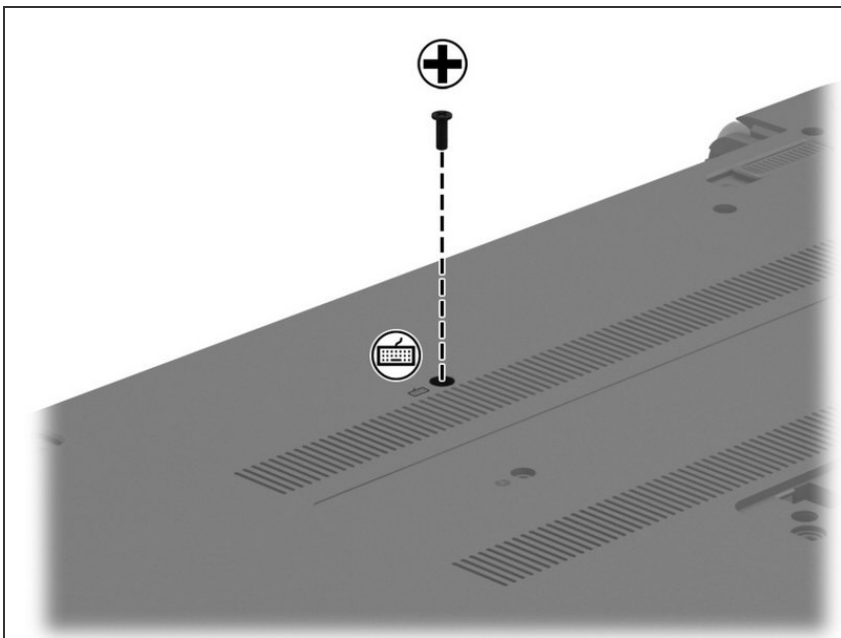
Step 3



i You will need a small Phillips screwdriver for this step.

- Remove the small screw holding in the optical drive.
- Carefully slide the optical drive out of the laptop and set it aside.

Step 4



i You will need a Phillips screwdriver and spudger for this step.

- Remove the center screw near the battery slot.
- Open the lid of the laptop and set it on its side. Insert a spudger into the same hole the screw was removed from.
- Push the spudger inward until the keyboard is disengaged. Once disengaged, flip the laptop upright.

Step 5



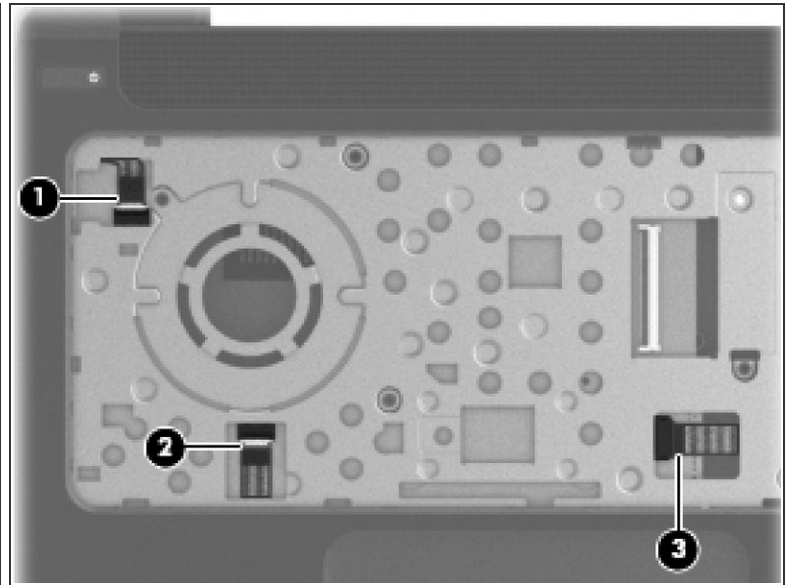
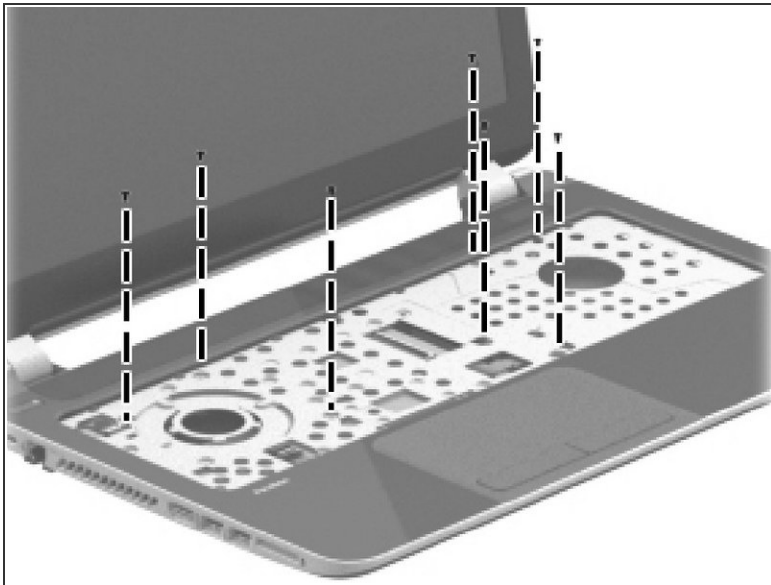
i Make sure the laptop is sitting upright with the lid open.

- Slide your finger under the keyboard along the top edge of the keyboard to release the keyboard.
- Swing the keyboard away from the screen and rest it on its face.

i *Image Two*

- Release the ZIF connector by lifting the connector tab connected to the keyboard cable.
- Disconnect the keyboard cable.
- Remove the keyboard.

Step 6



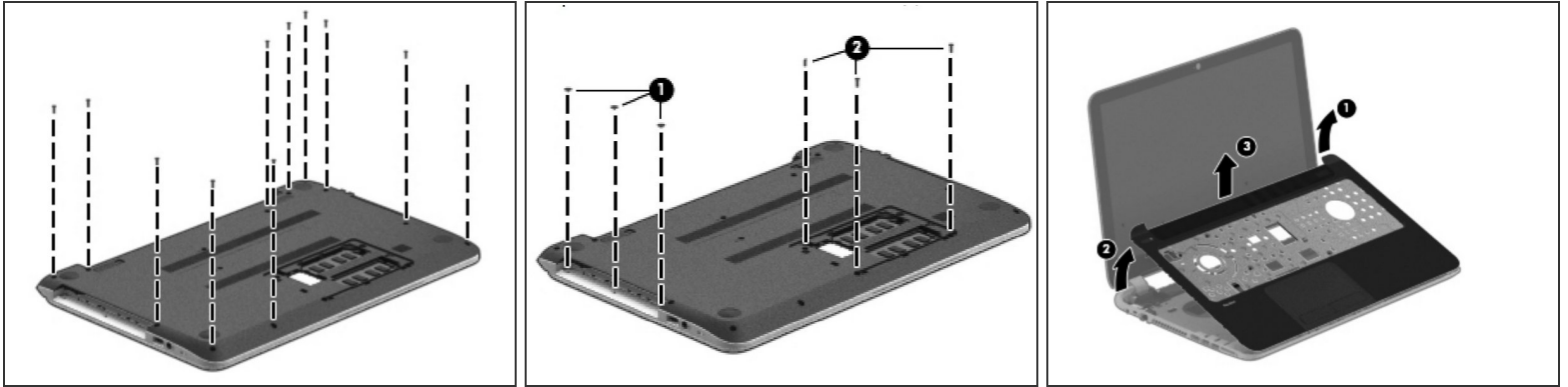
i This step will require a Phillips screwdriver.

- Remove the screws that were underneath the keyboard.

i Image Two

- Disconnect the three cables that were underneath the keyboard.
- Close the laptop lid and flip the laptop upside down.

Step 7



i You will need a Phillips screwdriver and the jimmy for this step.

- Remove the screws shown.

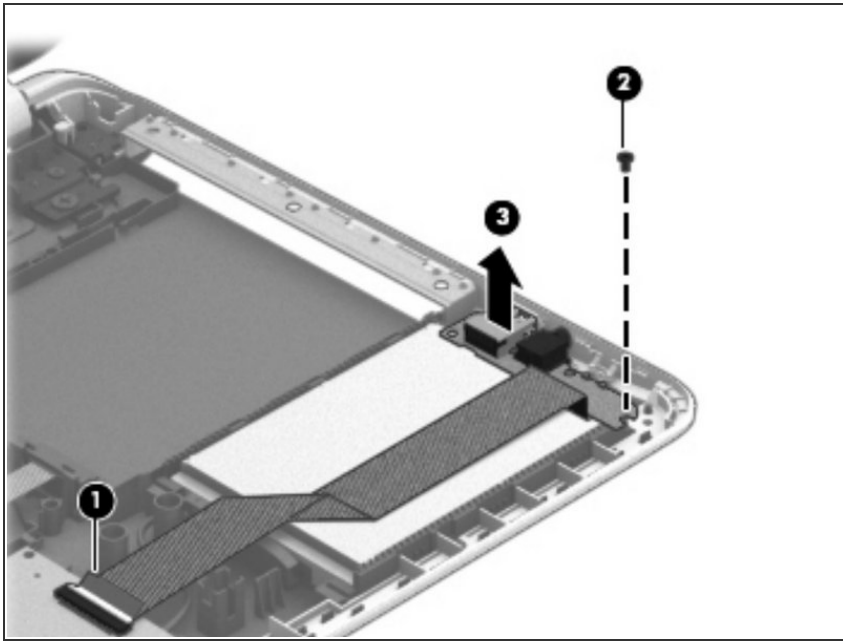
i *Image Two*

- Remove the screws shown.
- Flip the laptop right side up and open the lid.

i *Image Three*

- Insert the jimmy in between the top cover and the base and slide it along the edge of the laptop. Repeat for the opposite edge.
- Swing the upper left and upper right corners away from the screen and lift the top cover away from the laptop.

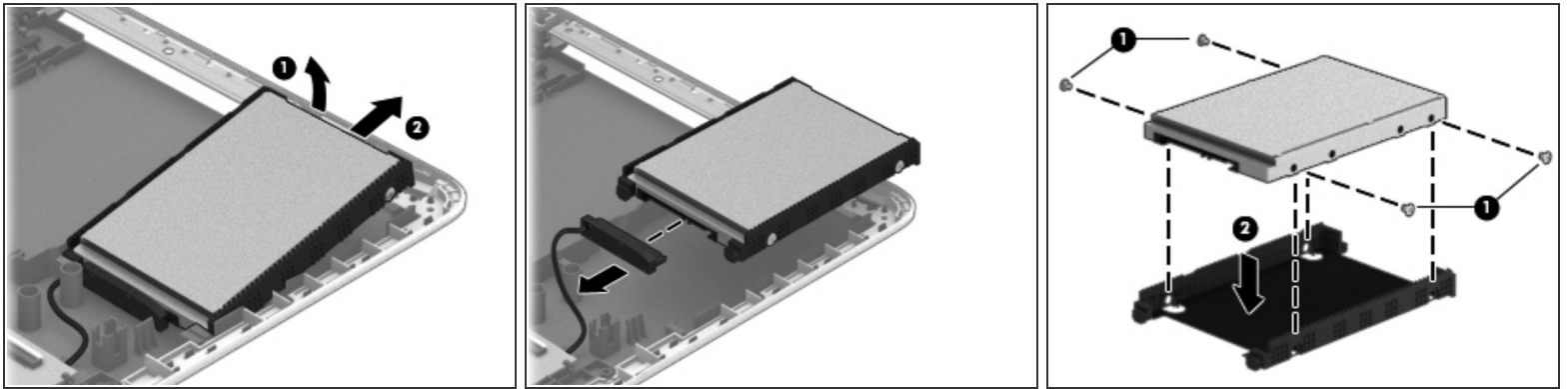
Step 8



i You will need a Phillips screwdriver for this step.

- Flip open the ZIF connector on the USB/Audio cable. Disconnect the USB/Audio cable.
- Unscrew the screw shown.
- Lift out the USB/Audio board.

Step 9



i You will need a Phillips screwdriver for this step.

- Lift the end of the hard drive that is along the side edge of the laptop.
- Slide the hard drive out.

i *Image Two*

- Disconnect the cable attached to the hard drive.

i *Image Three*

- Remove the screws shown.
- Remove the hard drive bracket from the old hard drive.

To reassemble your device, follow these instructions in reverse order.