



Motorola i710 Back Casing Replacement

This guide will illustrate how to remove the back casing.

Written By: Carson Meena



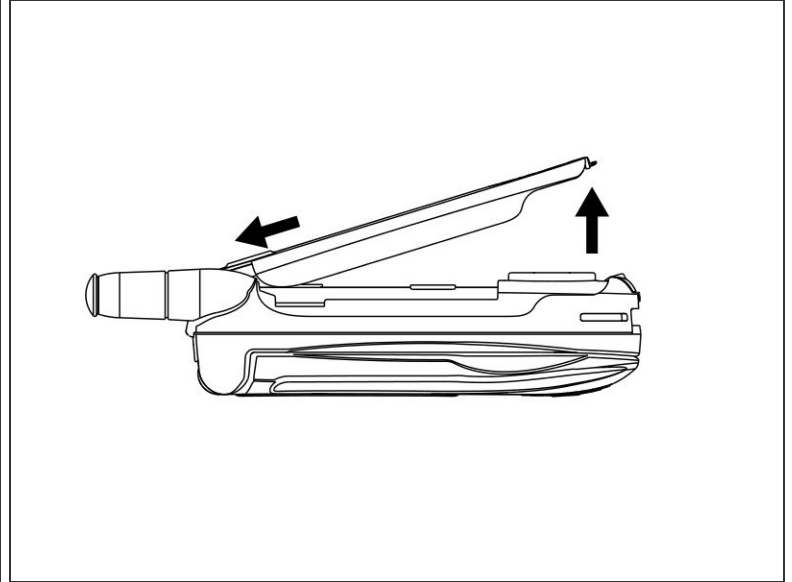
INTRODUCTION

Once the battery and battery cover have been removed, the case back cover can be separated from the rest of the case, as shown in this guide.

TOOLS:

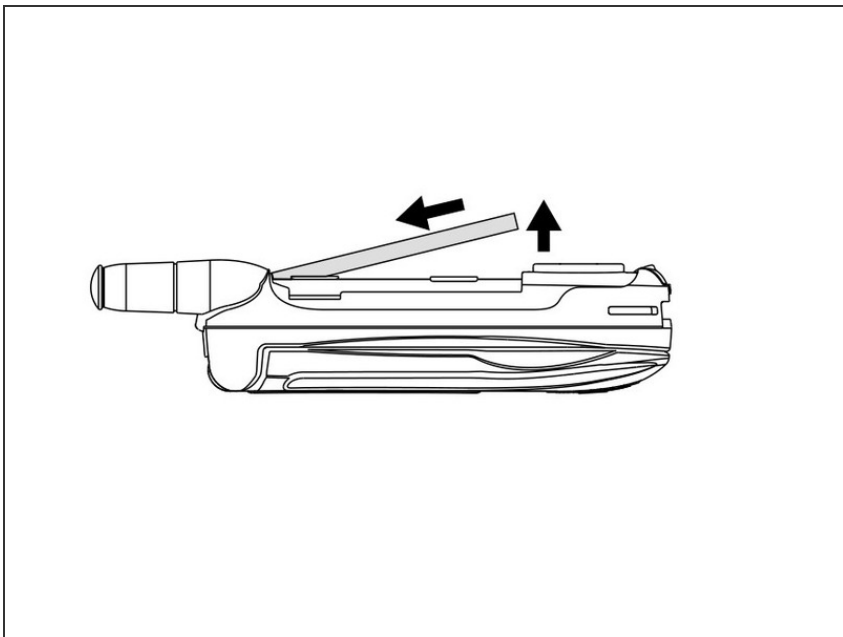
- [T5 Torx Screwdriver](#) (1)
-

Step 1 — Battery Cover



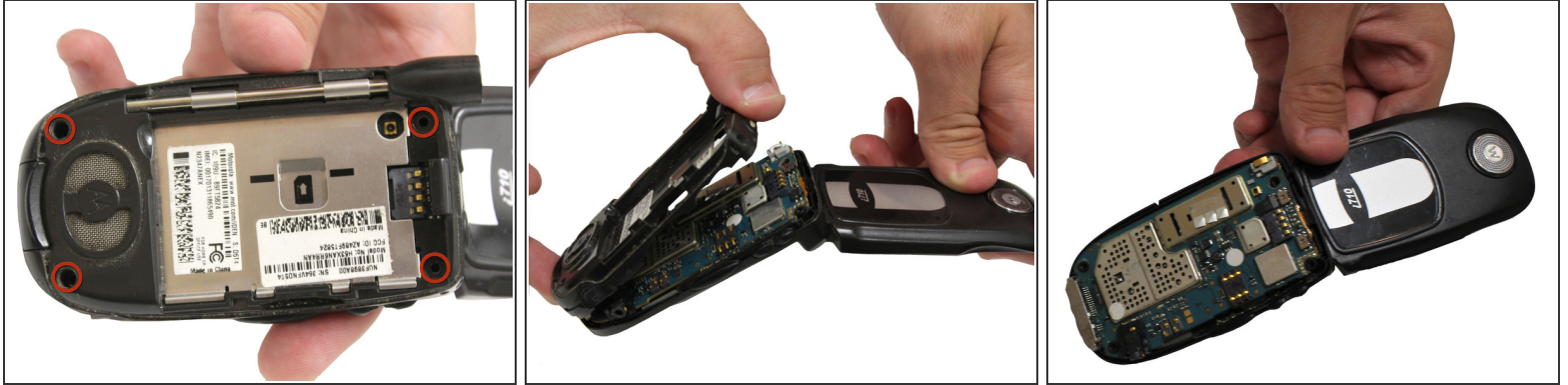
- Slide the cover release button towards the bottom of the phone
- Once the battery cover pops up, slide the cover towards the top of the phone and lift up.

Step 2 — Battery



- Push the battery towards the top of the phone and lift up.

Step 3 — Back Casing



- With a T5 screwdriver, unscrew the four T5 sized screws that hold the case back cover onto the rest of the case.
- Remove the plastic case back cover by gently pulling it away from the body of the phone, starting at one edge and working your way down to the other.

To reassemble your device, follow these instructions in reverse order.

This document was last generated on 2017-06-24 03:42:16 PM.