



# Motorola i710 LCD Screen Cover Replacement

This guide will allow the user to remove the LCD Screen Cover.

Written By: Carson Meena



---

## INTRODUCTION

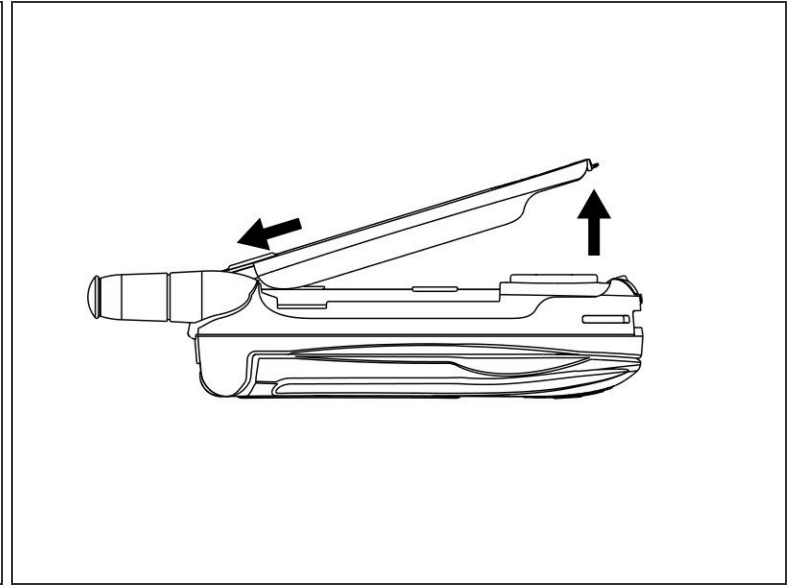
Once the front name plate and Motorola logo have been removed, the LCD Screen Cover can be accessed as shown in this guide.

---

### TOOLS:

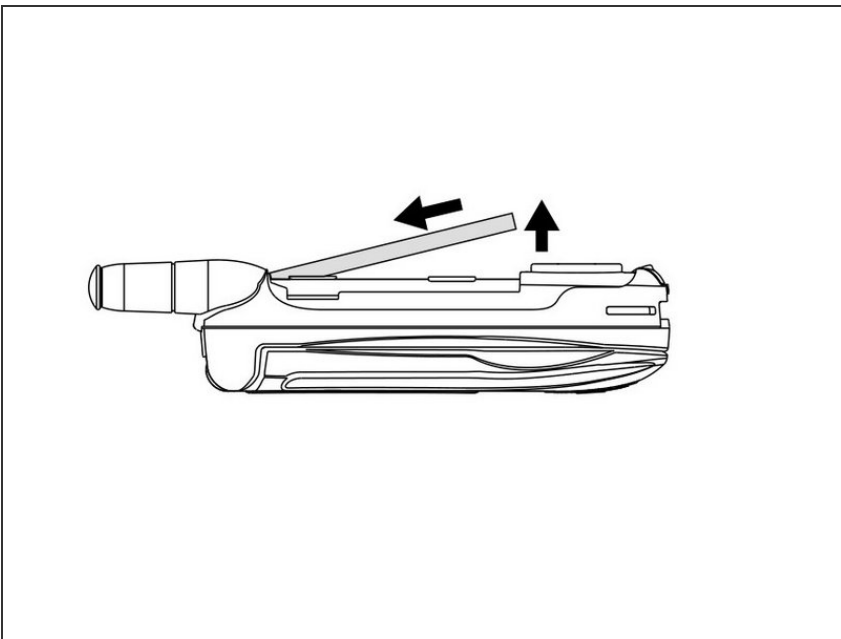
- [iFixit Opening Tools](#) (2)
  - [T6 Torx Screwdriver](#) (1)
-

## Step 1 — Battery Cover



- Slide the cover release button towards the bottom of the phone
- Once the battery cover pops up, slide the cover towards the top of the phone and lift up.

## Step 2 — Battery



- Push the battery towards the top of the phone and lift up.

### Step 3 — LCD Screen Cover



- i** Although the lower half of the phone in these images has been disassembled, it is not necessary for removing the LCD screen.
- With the help of plastic opening tools, remove the i710 name plate and Motorola logo from the backside of the phone.
  - The four screws holding the upper half of the phone together should now be visible.

### Step 4



- With a H1.5 screwdriver, unscrew the four H1.5 sized screws from the back of the phone.
- Flip the phone onto its back and, with the help of a plastic opening tool, remove the metal speaker cover that is above the LCD screen.



## Step 5



- Slide a plastic opening tool along the edge of the LCD Screen Cover to separate the cover from the phone casing. Apply a small amount of force towards the cover if necessary.
- The LCD screen should now be completely separated from the phone.

To reassemble your device, follow these instructions in reverse order.