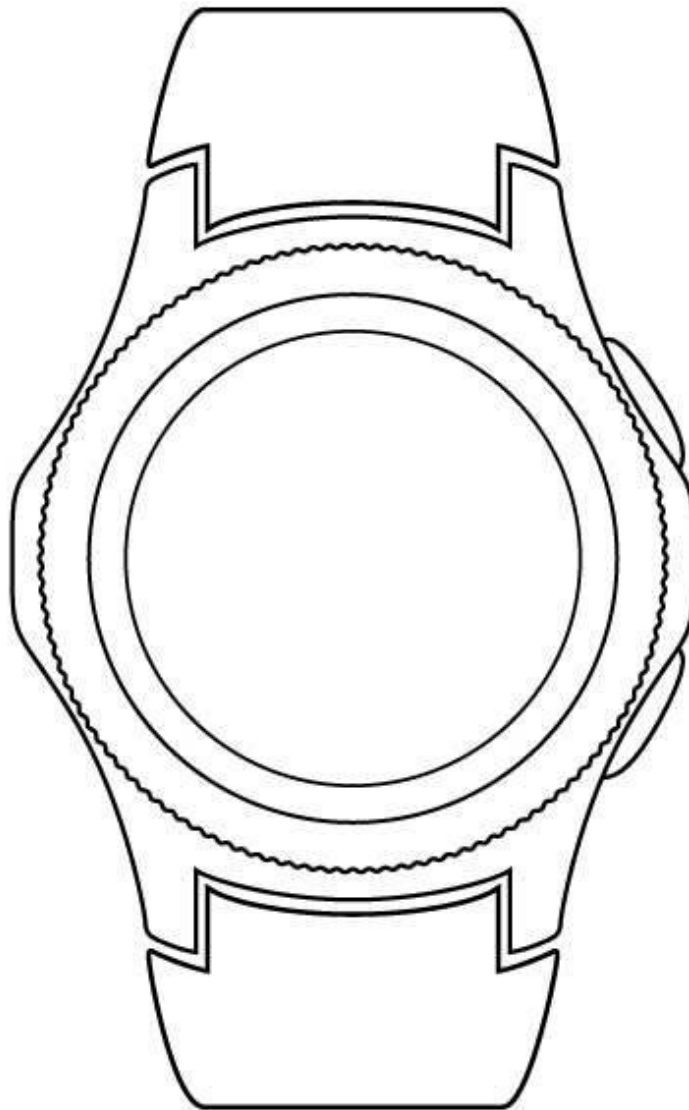




# How to Force Restart the Samsung Galaxy Watch

Use this guide to force restart your Samsung Galaxy Watch.

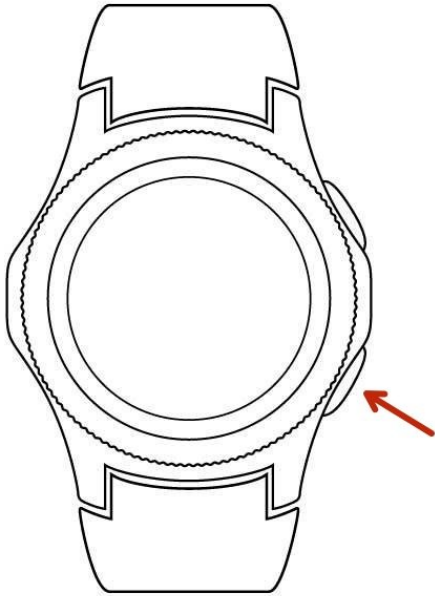
Written By: Tobias Isakeit



## INTRODUCTION

Use this guide to force restart your Samsung Galaxy Watch.

## Step 1 — How to Force Restart the Samsung Galaxy Watch



- Push and hold the lower button for at least 7 seconds.
- Let go of the button when you see the watch restart.