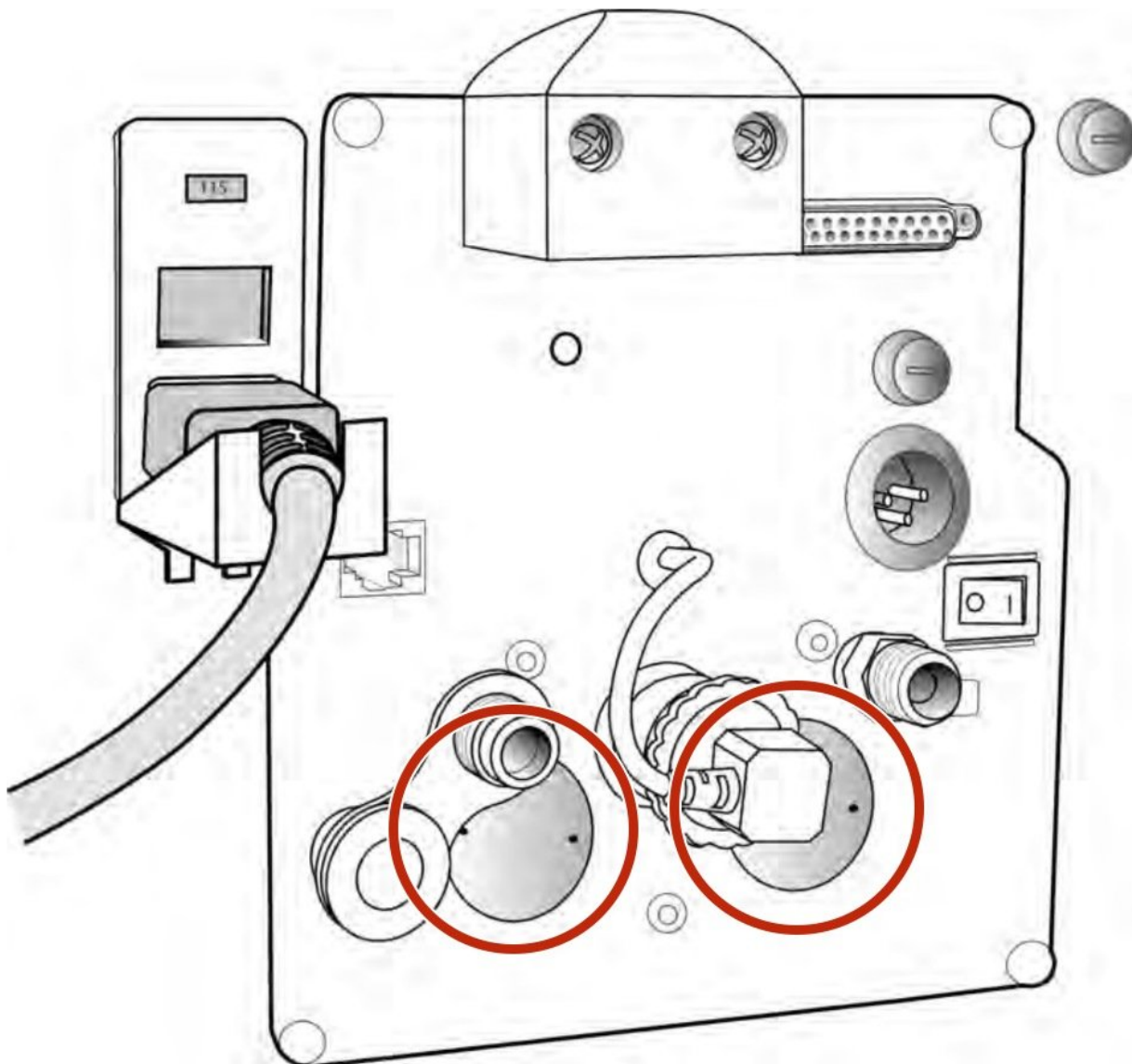




Viasys Avea O2 and Air/Heliox filters Replacement

How to replace the oxygen (O2) and Air/Heliox filters on the Viasys/CareFusion Avea Ventilator.

Written By: Alden Glassey



INTRODUCTION

The O2 and Air/Heliox filters are accessible from the rear panel of the ventilator. According to the service manual, the filters should be inspected and replaced as required.

PLEASE NOTE: This repair guide was developed by a student iFixit team based on Viasys/CareFusion's own service manual. Neither iFixit nor this repair guide is endorsed by or affiliated with Viasys or CareFusion.

Replacing these gas filters is discussed in service manual revision D:

- Chapter 8: Preventative Maintenance, Pg 163-164

TOOLS:

- [Filter Removal Tool P/N 21735](#) (1)
Should come with the ventilator in the Calibration Tool Kit and in the Preventative Maintenance Kit.
- [Large Needle Nose Pliers](#) (1)

PARTS:

- [Replacement O2 and Air/Heliox Filters](#) (2)
Balston P/N 050-05

Step 1 — Viasys Avea O2 and Air/Heliox filters Replacement

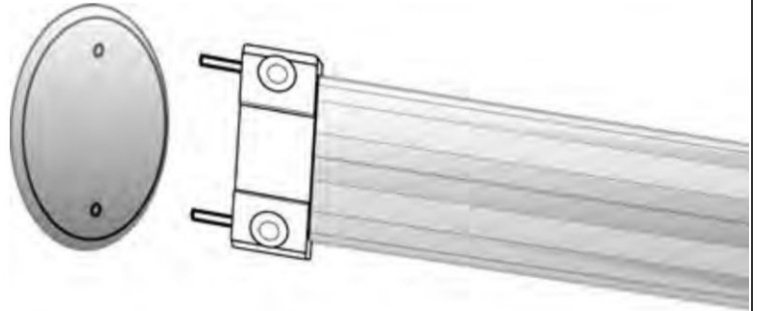
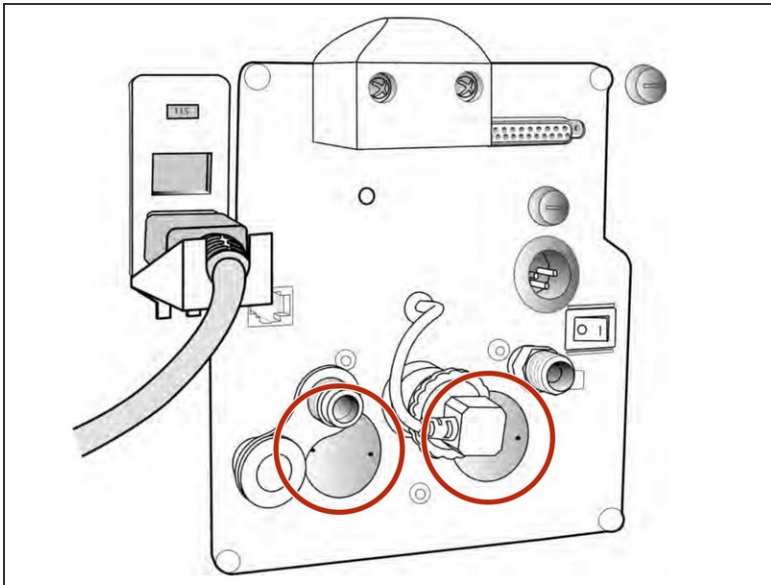
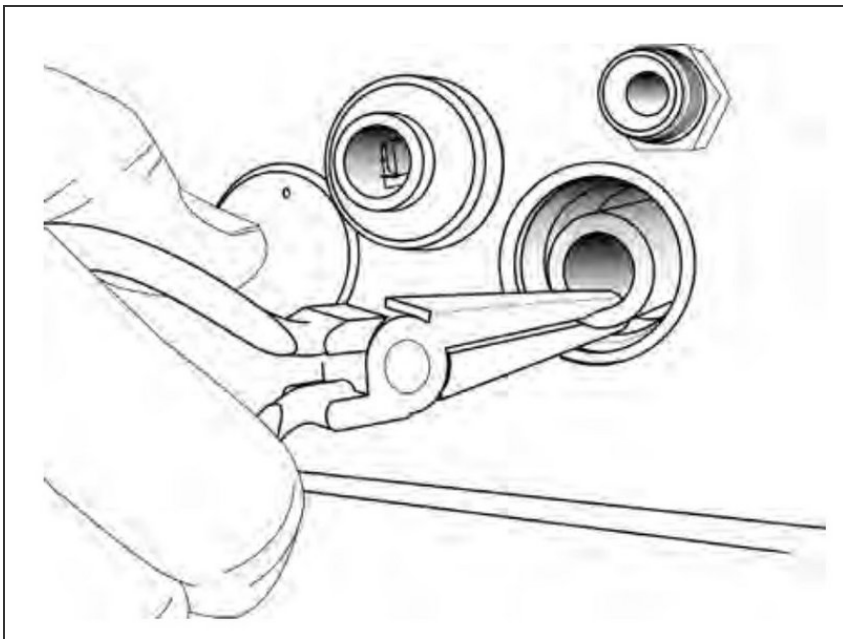


Figure 8.1 Removing the filter covers

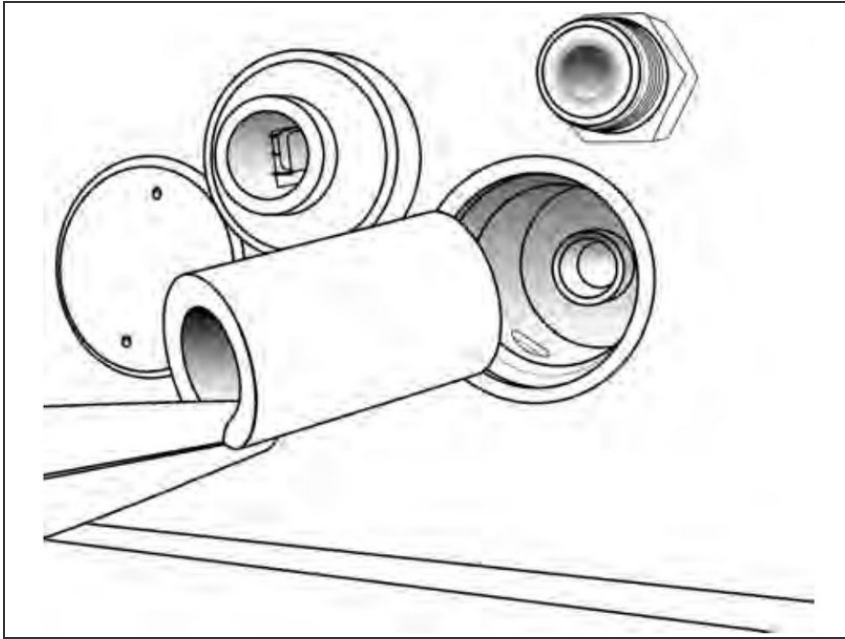
- Use the filter removal tool to unscrew the two filter covers.

Step 2



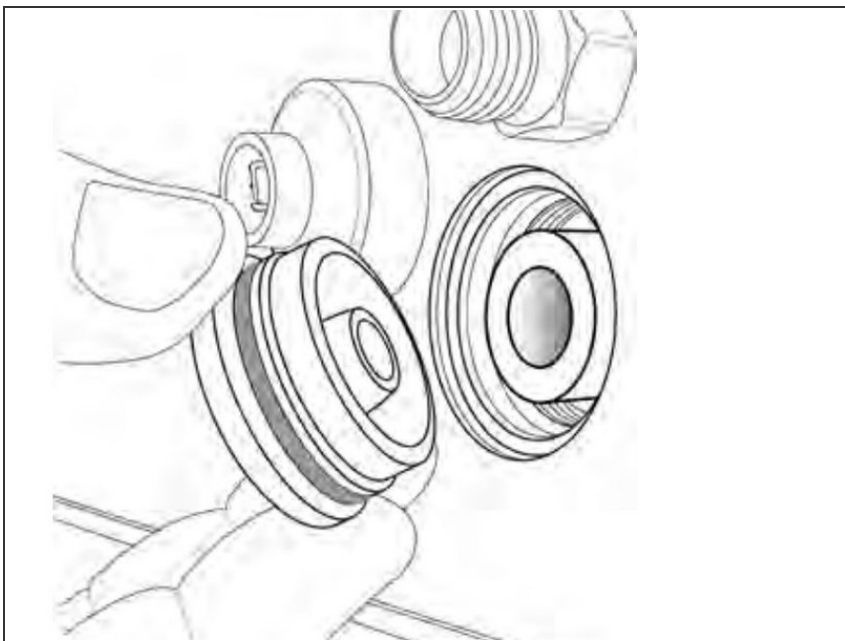
- Use the needle nosed pliers to grab the filter and pull straight out of the filter port.
- Repeat for the second filter.

Step 3



- Using the needle nosed pliers, grab a new filter and slide it into the port so it is correctly aligned.
- Repeat for the second filter.

Step 4



- Align the filter cover with the filter inside the port and screw back on.
- Repeat for the second filter.