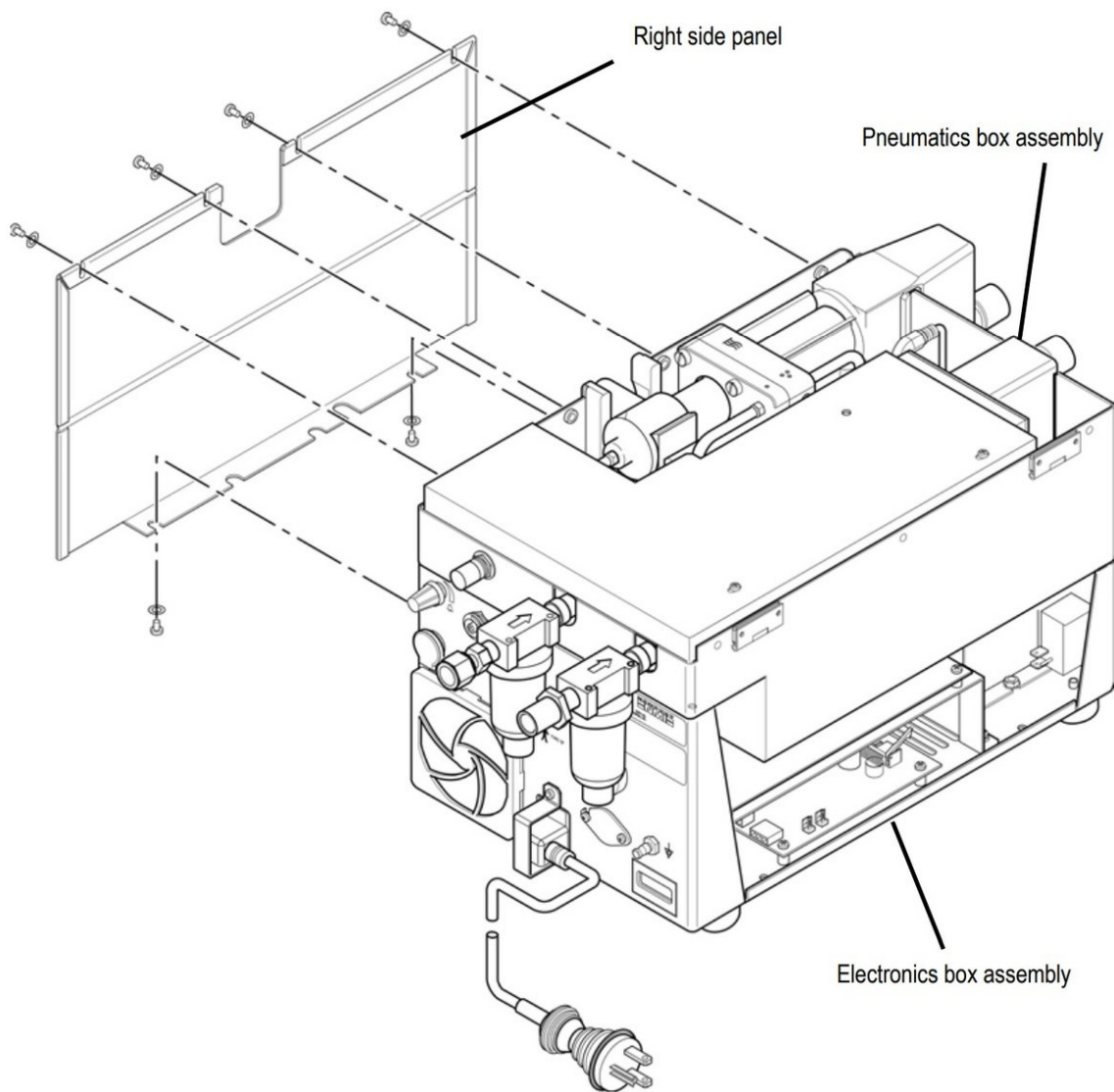




Newport e500 Right Side Panel Disassembly

Removal of the right side panel on the Newport e500 ventilator.

Written By: Jeremy



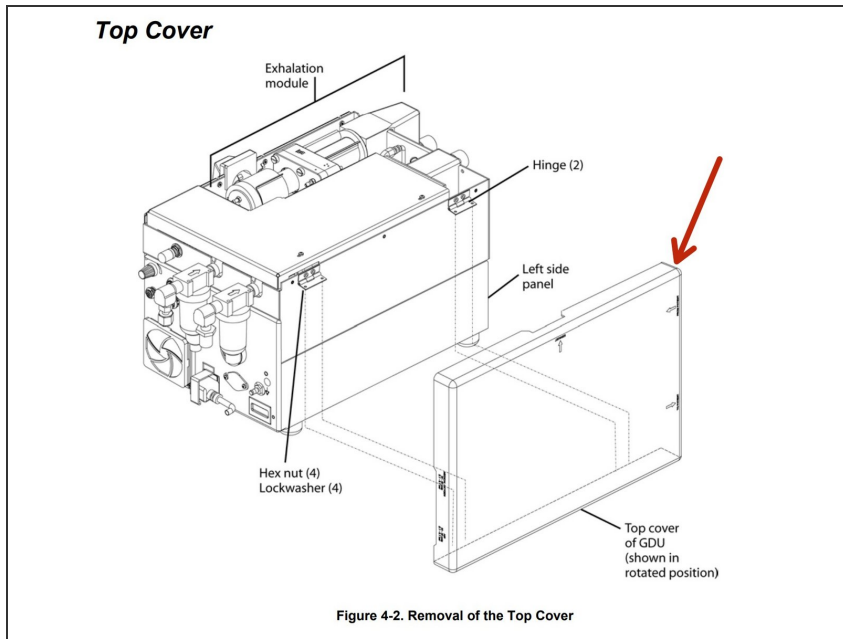
INTRODUCTION

In order to replace most other parts in the Newport e500, the removal of the right side panel is required. In order to perform this operation, a Philips screwdriver and torque wrench will be required. For more information refer to page 41 of the service manual.

TOOLS:

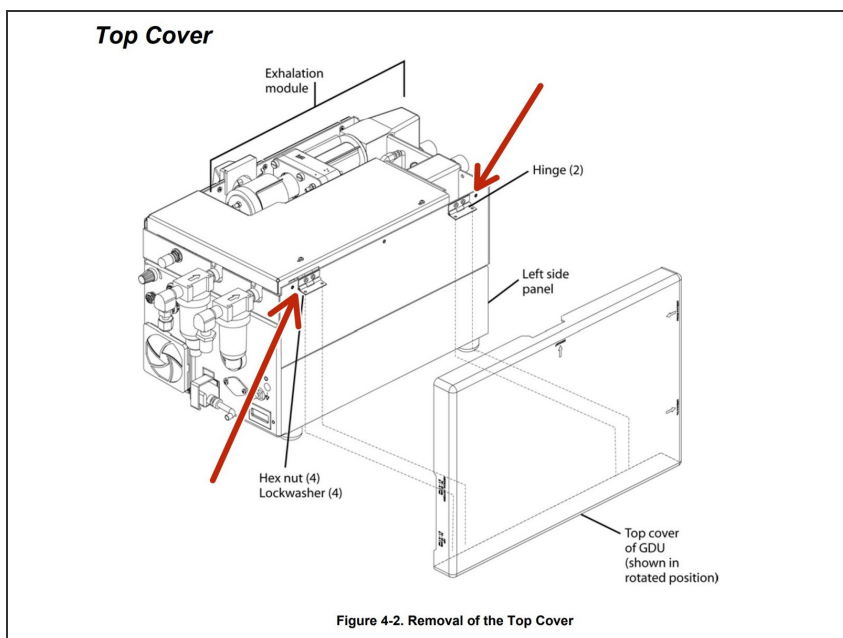
- [Phillips #0 Screwdriver](#) (1)
 - [Torque Wrench](#) (1)
-

Step 1 — Newport e500 Top Cover Disassembly



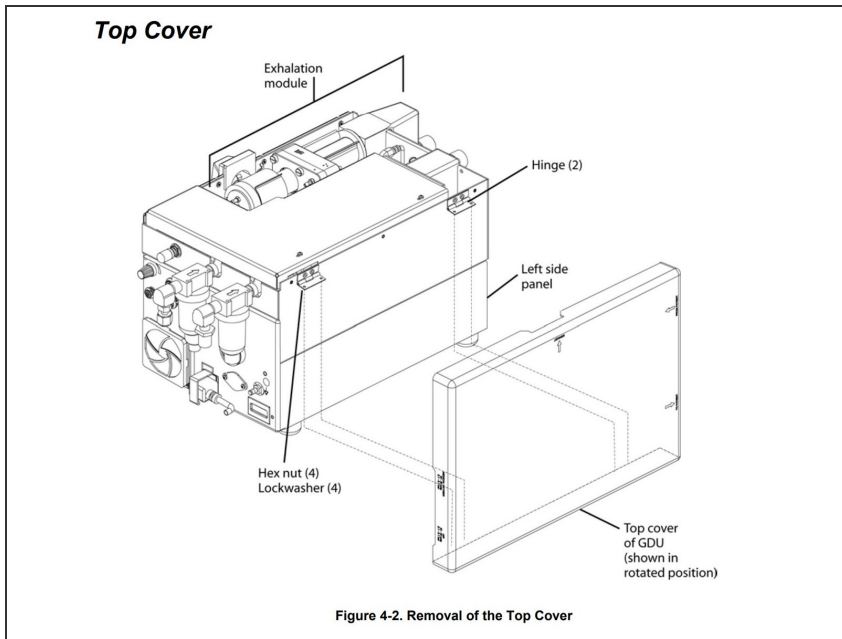
- Place device so that the top cover is facing you.
- Open the top cover.

Step 2



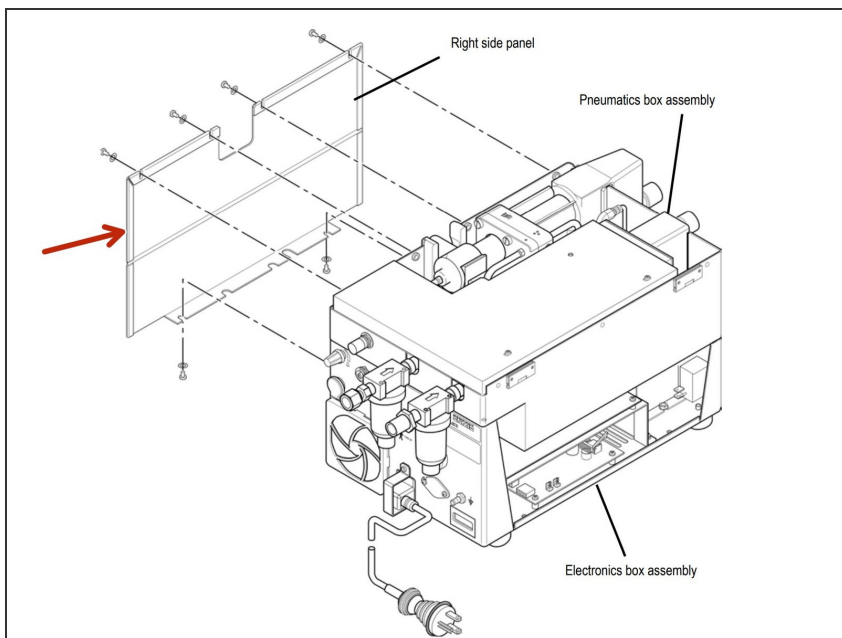
- Remove the four hex nuts and lock washers (two at each hinge) that secure the cover to the hinges on the left side of the pneumatic box.

Step 3



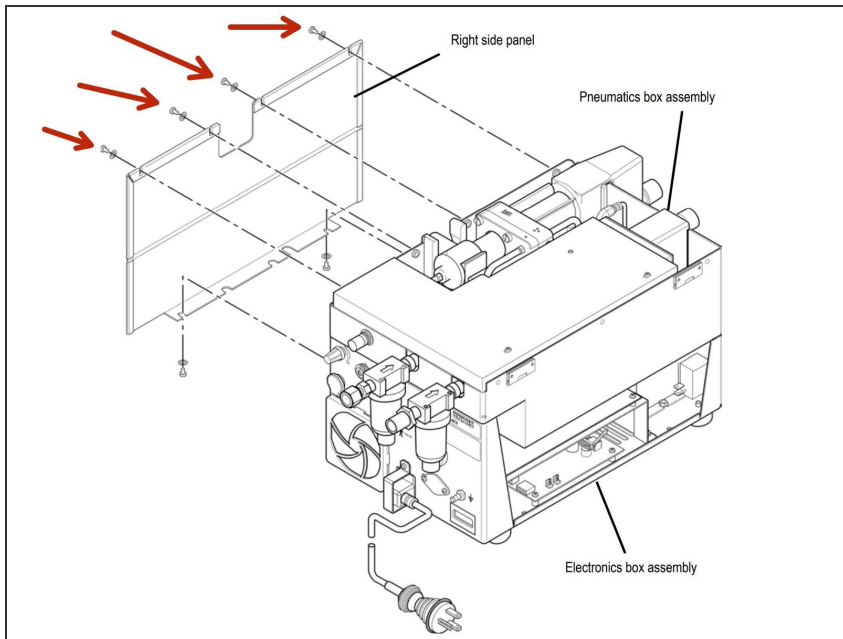
- Remove the cover and set aside. Retain hardware for re-assembly.

Step 4 — Newport e500 Right Side Panel Disassembly



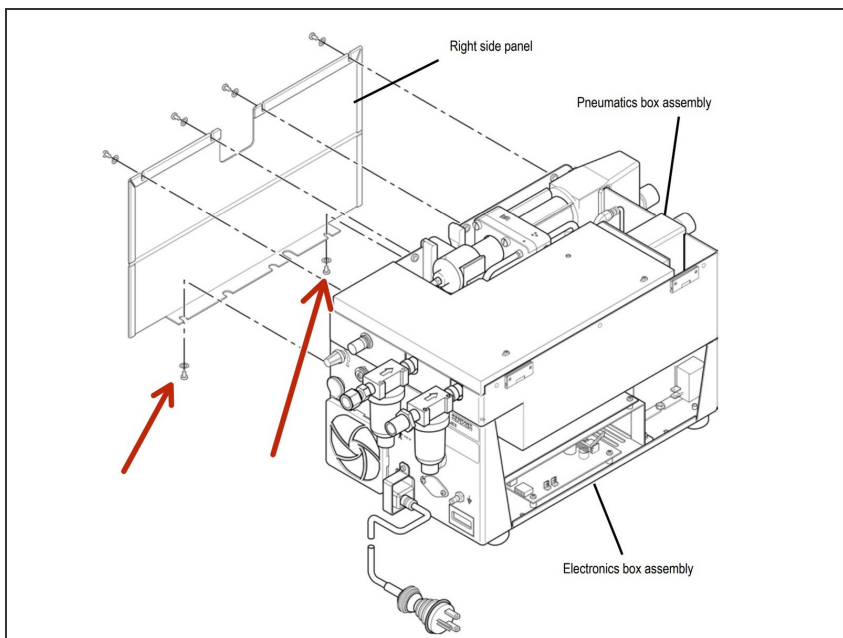
- Carefully place the GDU on its left side.

Step 5



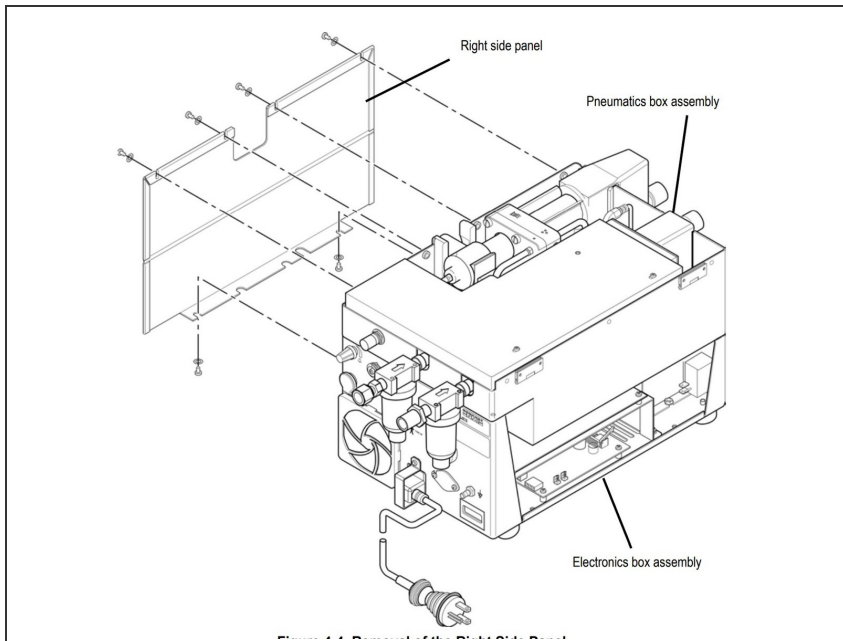
- Remove the four screws and washers at the top edge of the right side panel.

Step 6



- Remove the two screws and washers from the underside of the right side panel.

Step 7



- Remove the right side panel. Retain hardware for re-assembly.

To reassemble your device, follow these instructions in reverse order.